

APPLICATION

- For large cinema screen channel application

PRODUCT INFORMATION

The CSC723 represents a major advancement in cinema screen channel speaker design. Incorporating many new EAW engineering breakthroughs, the CSC723 is designed to provide optimal coverage in "stadium" seating auditoriums, where front-to-back coverage provides a difficult challenge for even the best conventional systems.

The three-way CSC723 features a multicomponent modular design which allows quick installation, with little or no assembly required on site.

The mid-range and high frequency horns feature an unusual asymmetrical flare design, which provides a narrow pattern at the rear of the room, and a wider pattern at the front of the room. This design minimizes energy radiated at the side walls, while concentrating sound in the seating area. The high frequency horn is coupled to a 2-inch exit driver, and also features a controlled collapsing pattern at the very highest frequencies, which compensates for the screen's effect of widening the pattern, thus resulting in a constant pattern in the seating area.

The single 10" mid-range cone driver is housed in its own subenclosure and is coupled to EAW's patented "VA⁴" phase plug. The unique radial design of the VA⁴ phase plug significantly reduces throat distortion and frequency "time smear", resulting in noticeably clearer, more natural sounding dialog.

The low frequency section incorporates EAW's "push-pull" driver arrangement. The drivers are out of phase relative to each other both physically and electrically, yet their product is acoustically in phase, substantially lowering mechanically induced distortion.



DESCRIPTIVE DATA

LF Subsystem	2x15" Vented, Push Pull Configuration
MF Subsystem	1x10-in Horn-Loaded Cone, Radial Phase Plug
HF Subsystem	1x2-in Exit/75mm Voice Coil Compression Driver on 2 Axis Asymmetrical Horn
Configuration	3-way
Powering Mode	Tri-amplified
Enclosure Materials	Baltic Birch Plywood
Finish	Wear-resistant Textured Black Paint
Connectors	2x2-Terminal Barrier Strip

Dimensions

Height	65.5 in	1663.7 mm
Width	32.0 in	812.8 mm
Depth	22.5 in	571.5 mm

Weights

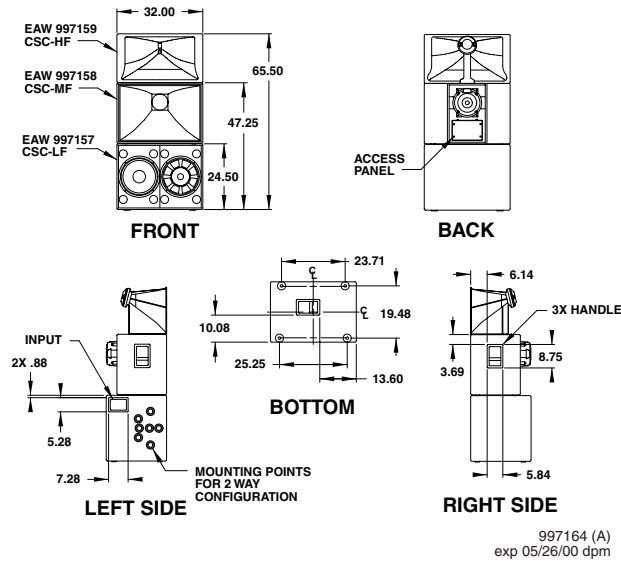
Net	204.0 lb	92.53kg
Shipping	224.0 lb	101.47 kg



DIMENSIONAL DRAWING

CSC723

⊙ INDICATES RUBBER FOOT.
 ○ INDICATES MOUNTING POINT,
 3/8-16 THREADED HOLE RIVNUT.



NOMINAL DATA

Frequency Response (1 W @ 1m)

±3 dB 35 Hz to 18 kHz

Sensitivity (dB SPL, 1 Watt @ 1m)

LF	101
MF	108
HF	114

Impedance (Ohms)

LF	4
MF	8
HF	12

Power Handling, (AES Standard, Watts)

LF	1000
MF	350
HF	120

Calculated Maximum Output (dB SPL)

LF Peak	136
MF Peak	139.4
HF Peak	140.8
LF Long Term	130
MF Long Term	133.4
HF Long Term	134.8

