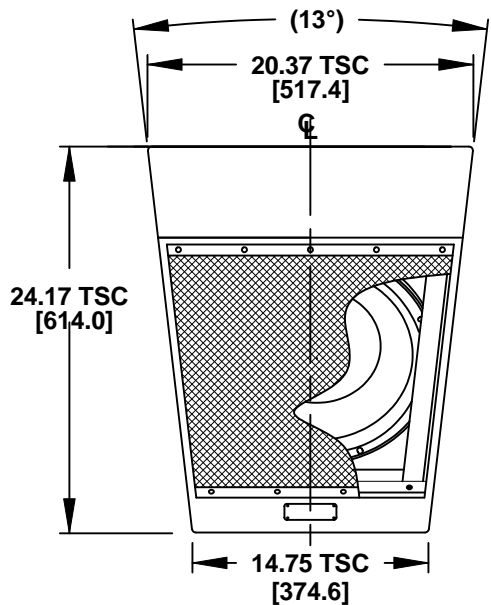
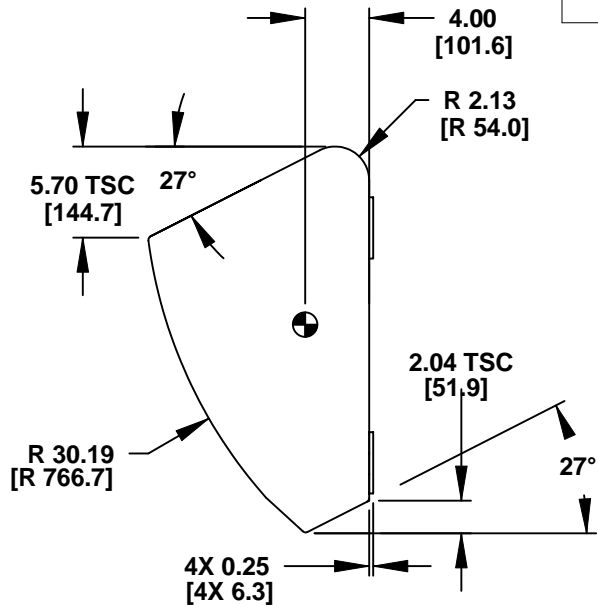


REV	DESCRIPTION	APVD/DATE
A	RELEASED TO PRODUCTION FROM REV (1) PER DSRWHT9961 DM 8/14/08	SEE AGILE

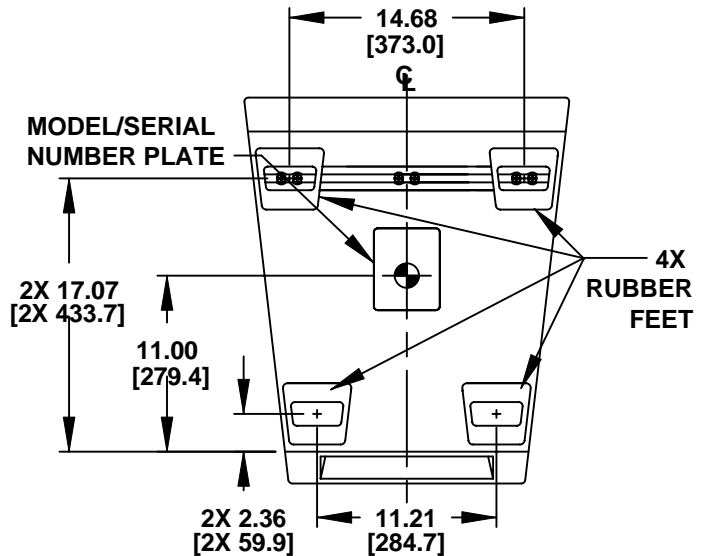


**TOP**

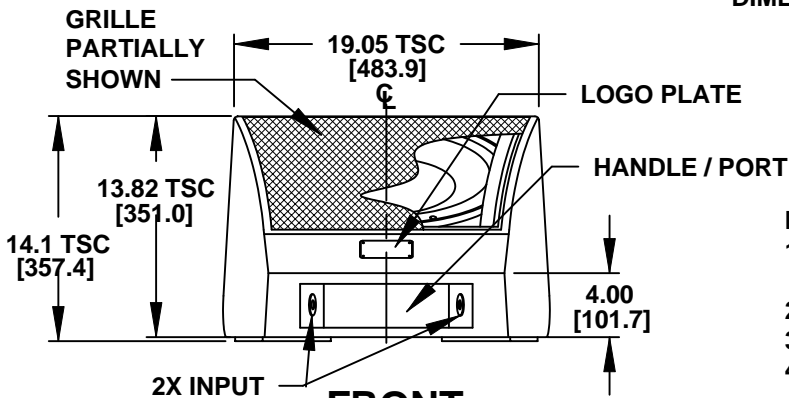


**RIGHT SIDE**

DIMENSIONS APPLY TO BOTH SIDES

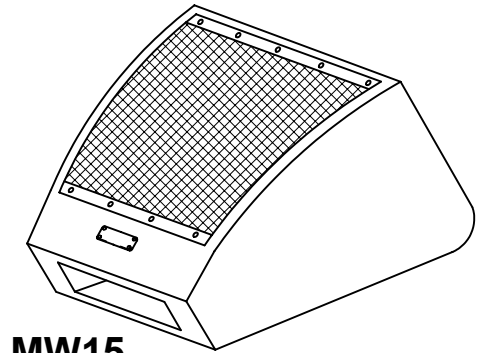


**BACK**



**FRONT**

- NOTES:**
1. SYMBOL INDICATES 18.00 [457.2] X 1.35 [34.3] FLY TRACK.
  2. SYMBOL INDICATES CENTER OF BALANCE.
  3. WEIGHT APPROX: 57.50 lb [27.1 kg].
  4. SHIPPING WEIGHT APPROX: 72.5 lb [32.9 kg].



**MW15**

	UNLESS OTHERWISE SPECIFIED: ALL DIMENSIONS ARE INCHES [MILLIMETERS]	<b>STATUS: PRODUCTION</b>		LOUD Technologies Inc. ONE MAIN STREET WHITINSVILLE, MA 01588 USA
		APPROVALS	DATE	
THE INFORMATION CONTAINED HEREIN IS PROPRIETARY AND CONFIDENTIAL PROPERTY OF LOUD TECHNOLOGIES, INC. ALL RIGHTS RESERVED	TOLERANCES LINEAR ± 0.13 in/ ± 3.3 mm ANGLES ± 1°  (X.XX) = REF DIMS NO TOLERANCE IMPLIED  TSC=THEORETICAL SHARP CORNER DIMENSIONS ACROSS CENTERLINES TO BE SYMMETRICAL	DRAWN: J. MORRISON	6/19/08	DWG CUSTOMER MW15 [MECHANICAL SPECIFICATION]
		CHECKED: SEE AGILE	N/A	SHEET 1 OF 1
		DES ENG: SEE AGILE	N/A	SCALE: 1 TO 12
		MFG ENG: SEE AGILE	N/A	DRAWING NUMBER: 0030282-CD
			REVISION: A	VELLUM