

NOTES:

1. REFER TO EAW MATERIAL SPECIFICATION 480455 FOR LABELING AND SHIPPING REQUIREMENTS.

REV	DESCRIPTION	APVD/DATE
0	NEW ISSUE RELEASED TO PRODUCTION PER DSR 01-836 PSN 08/27/01	RS 8/28/01

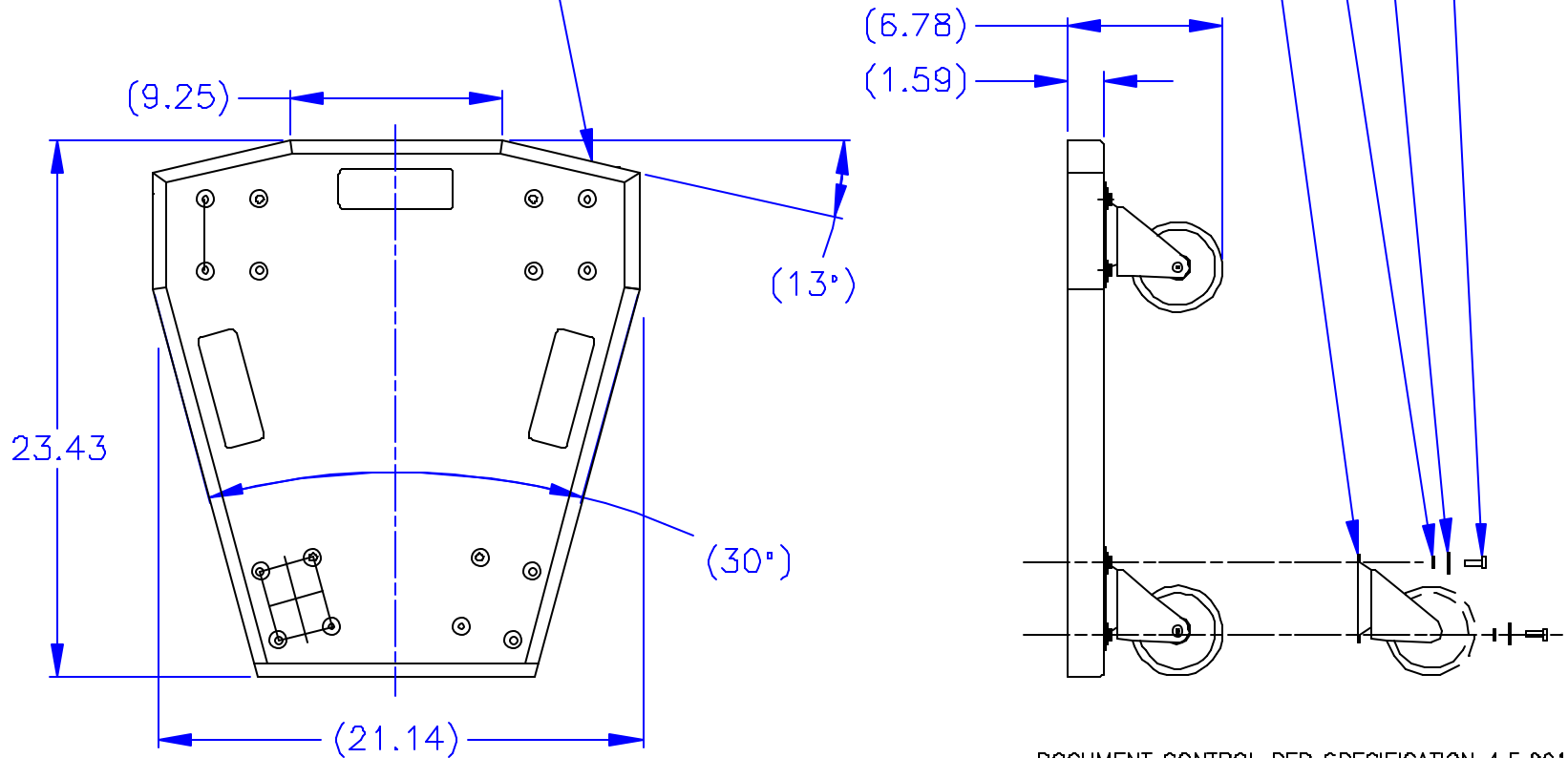
16X 1/4-20 X 3/4 SS PH SCREW (EAW PART NO. 102039)

16X 1/4-20 SS FLAT WASHER (EAW PART NO. 105007)

16X 1/4" BLACK SS SPLIT LOCK WASHER (EAW PART NO. 105008)

CASTER PALLET (EAW PART NO. 151063)

4X CASTER (EAW PART NO. (150001))



DOCUMENT CONTROL PER SPECIFICATION 4.5.201

<p>THIRD ANGLE PROJECTION</p>	<p>UNLESS OTHERWISE SPECIFIED: ALL DIMENSIONS ARE IN INCHES</p> <p>TOLERANCE IN INCHES  X ± .1    .XX ± .03    .XXX ± .010  FRACTIONS ± 1/32  ANGLES ± 1/2°</p> <p>(X.XX) = REF DIMS  NO TOLERANCE IMPLIED</p> <p>T.S.C.=THEORETICAL SHARP CORNER  DIMENSIONS ACROSS CENTERLINES  TO BE SYMMETRICAL</p>	<p>STATUS: <b>PRODUCTION</b></p>		EASTERN ACOUSTIC WORKS ONE MAIN STREET WHITINSVILLE, MA 01588 USA			
		<p>APPROVALS</p> <p>DRAWN: NYSTEDT</p> <p>CHECKED: RS</p> <p>DES ENG: JAR</p> <p>MFG ENG: MD</p>	<p>DATE</p> <p>8/27/01</p> <p>8/28/01</p> <p>8/28/01</p> <p>8/28/01</p>		<p>TITLE:  <b>ASSEMBLY/CASTER PALLET/  EP2/EP3</b></p>		
<p>THIS DRAWING IS THE PROPERTY OF EAW AND SHALL NOT BE COPIED, REPRODUCED, OR USED AS THE BASIS FOR MANUFACTURE OR SALE OF APPARATUS WITHOUT WRITTEN AUTHORIZATION. DO NOT SCALE DRAWING.</p>			<p><b>A</b></p>	<p>SHEET 1 OF 1</p>	<p>SCALE: 1 TO 8</p>	<p>DRAWING NUMBER: 255121</p>	<p>REVISION: 0</p>