



TECHNICAL SPECIFICATIONS FL103

DESCRIPTION

A 3-way full range system in a dual vent, trapezoidal enclosure. Includes a 15-in woofer (vented), a 7-in midrange cone (separated vented subenclosure) and a 1-in exit compression driver on a Wave Guide Plate™. Powering mode is switchable: passive (3-way crossover) or biamplified (passive MF/HF crossover).

APPLICATIONS

The FL103 delivers extremely high output and studio fidelity from a compact enclosure. True 3-way design dramatically improves the quality of speech reproduction. Midrange venting smooths response at LF/MF crossover. Low "Q" provides exceptionally natural reproduction in permanent or portable applications demanding the highest quality sound. Comprehensive mounting/suspension hardware. Six year warranty.

Applications include:

Concert Halls	Recital Halls
Theaters	MultiMedia
Small HOW's	Live Music Club

DESCRIPTIVE DATA

Part Number	999066
Product Group	J
LF Subsystem & Loading	1x 15-in, Vented
MF Subsystem & Loading	1x 7-in Cone in Vented Subenclosure
HF Subsystem & Loading	1x 1-in Exit Compression Driver on Wave Guide Plate™
System Configuration	3-way, Full Range
Powering Configuration(s)	Switchable: Full Range (passive LF/MF/HF crossover) or Biampified (passive MF/HF crossover)
Controls (switches, knobs)	Powering Mode Switch
Recommended High-Pass Frequency (24 dB/Octave)	30Hz
Cabinet Type (shape)	Trapezoidal
Enclosure Materials	Baltic Birch Plywood
Finish	Black Catalyzed Polyurethane
Connectors	2 Neutrik NL4 Speakon
Suspension Hardware	6x 3-position flytracks (2 each on top, bottom and back), 12x 3/8"-16 threaded mounting/suspension points (3 each top and bottom, 2 each sides and back) stand mount cup (bottom)
Grill	Vinyl Coated Perforated Steel
Options	CCEP Config MX200i-FL103 (biamped mode) MX300i-FL103 (w/ SB528) MX300i-FLS18 (w/ SB180) 179001 Flyclip with ring 179002 Flyclip with hook



NOMINAL DATA

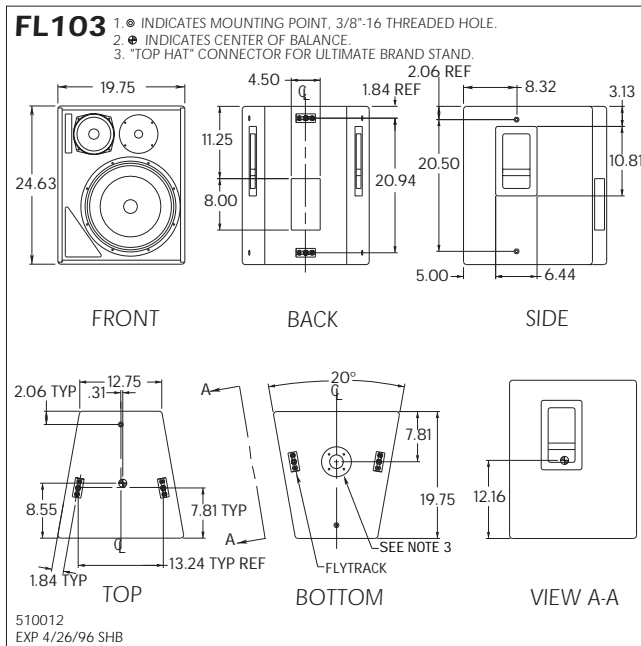
Frequency Response (Hz)	±3 db	50Hz to 18kHz
	-10 dB	38Hz
Axial Sensitivity (dB SPL/1 Watt/1m)	Full Range	95
	Biamped MF/HF	95
	Biamped LF	95
Impedance (Ohms)	Full Range Passive	8
	Biamped MF/HF	8
	Biamped LF	8
Power Handling, AES Standard (Watts)	Full Range	500
	Biamped MF/HF	500
	Biamped LF	800
Calculated Maximum Output (dB SPL, @ 1m)	Full Range Peak	128.0
	Biamped MF/HF Peak	128.0
	Biamped LF Peak	130.0
	Full Range Long Term	122.0
	Biamped MF/HF Long term	122.0
	Biamped LF Long Term	124.0
Nominal Coverage Angle / -6 dB points (degrees)	Horizontal	100
	Vertical	100
Recommended Complementary Systems		
	Sub	SB180/SB528
Dimensions	inches	millimeters
	Height	24.625 625
	Width	19.75 502
	Depth	19.75 502
	Back Width	12.75 324
	Trapezoid Angle	10 degrees per side
Weights	pounds	kilograms
	Net Weight	111 50.5
	Shipping Weight	118 53.7





TECHNICAL SPECIFICATIONS FL103

DIMENSIONAL DRAWING



SERVICE ITEMS

LF: Complete Cone Driver	EAW Part No. 804055
MF: Complete Cone Driver	EAW Part No. 804050
HF: Complete Compression Driver/Tweeter	EAW Part No. 803001
Filter/Crossover Network: Complete Assembly	EAW Part No. 225068

ARCHITECTURAL SPECIFICATIONS

The three-way full range loudspeaker systems shall incorporate a 15-in LF transducer, a 7-in cone MF transducer and a 1-in exit compression driver HF transducer.

The LF driver shall be mounted in a vented enclosure tuned for optimum low frequency response. The MF driver shall be mounted in a vented subenclosure. The HF driver shall be loaded on an axis-symmetrical wave guide plate with a nominal coverage pattern of 100° (conical). An internal passive filter network shall provide fourth order acoustical crossover and system equalization.

System frequency response shall vary no more than ± 3 dB from 50 Hz to 18 kHz measured on axis. In passive mode, the loudspeaker shall produce a Sound Pressure Level (SPL) of 95 dB SPL on axis at 1 meter with a power input of 1 Watt, and shall be capable of producing a peak output of 128 SPL on axis at 1 meter. The loudspeaker shall handle 500 Watts of amplifier power (AES Standard) and shall have a nominal impedance of 8 Ohms.

In biamped mode, the passive mid/high section shall meet all passive mode performance criteria. In biamped mode the LF section shall produce a Sound Pressure Level (SPL) of 95 dB on axis at 1 meter with a power input of 1 Watt, and shall be capable of producing a peak output of 130 SPL on axis at 1 meter. The LF section in biamped mode shall handle 800 Watts of amplifier power and shall have a nominal impedance of 8 Ohms.

The loudspeaker enclosure shall be trapezoidal in shape. It shall be constructed of 15mm thickness void-free cross-grain-laminated Baltic birch plywood and shall employ extensive internal bracing. It shall be finished in black catalyzed polyurethane. Input connectors shall be dual Neutrik NL4 Speakon. The system shall include a switch allowing in to be operated in biamp or passive Powering mode. A total of six 3-position flytracks (2 each on top, bottom and back) plus twelve 3/8"-16 threaded mounting/suspension points (3 each top and bottom, 2 each sides and back) shall be provided. The system shall include a recessed cup to accept a standmount pole. The front of the loudspeaker shall be covered with a vinyl coated perforated steel grill.

The three-way full range loudspeaker shall be the EAW model FL103.