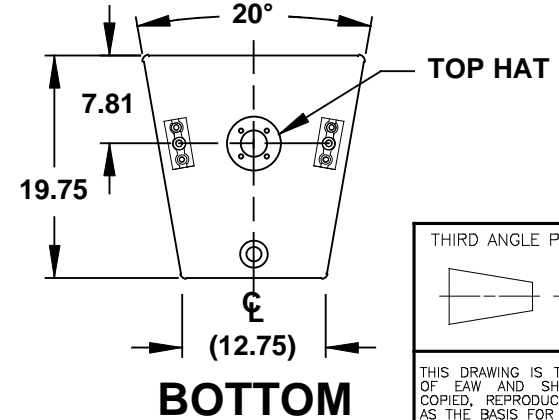
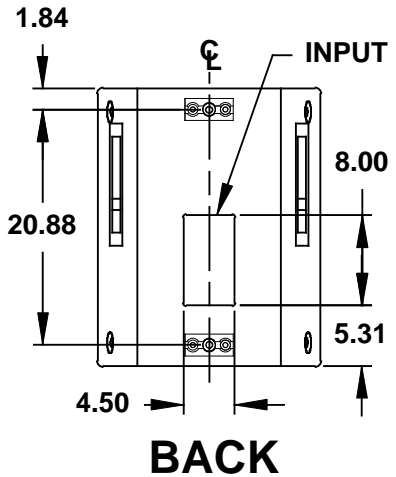
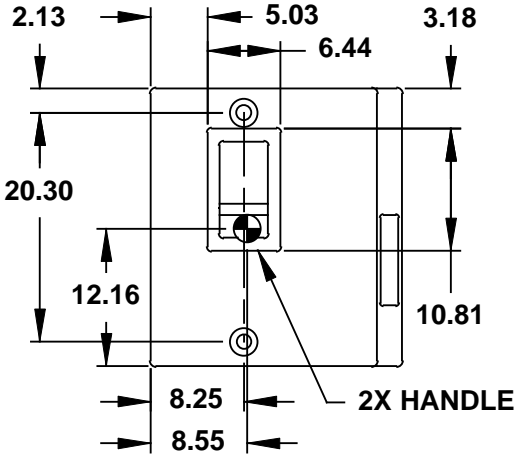
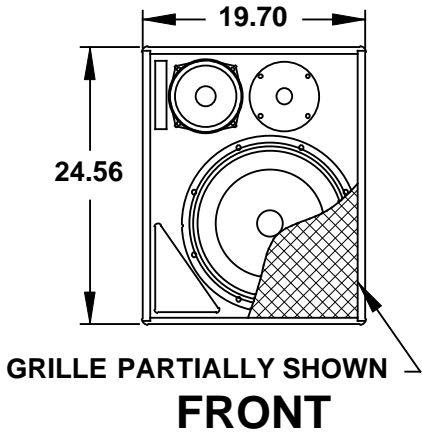
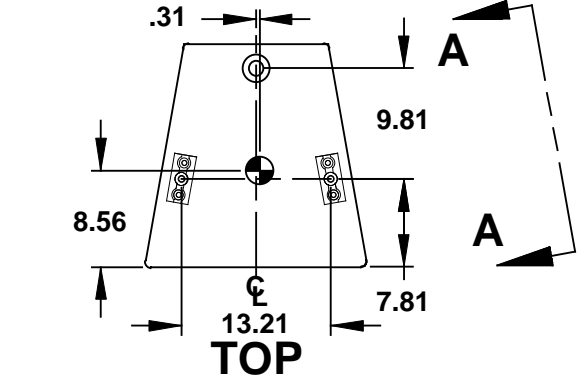
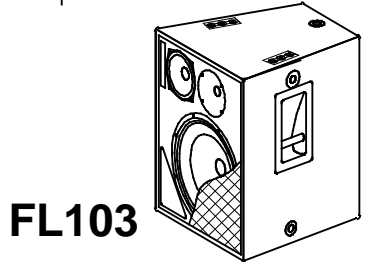


REV	DESCRIPTION	APVD/DATE
5	NEW ISSUE PER ECO #4996 DM 6/4/01	JRM 6/7/01

- NOTES:**
1. SYMBOL \odot INDICATES MOUNTING POINT, 3/8-16 THREADED HOLE (FLYTRACK).
 2. SYMBOL \otimes INDICATES 3.00 X 1.35 FLYTRACK.
 3. SYMBOL \bullet INDICATES CENTER OF BALANCE.
 4. WEIGHT APPROX. 111 LBS.
 5. SHIPPING WEIGHT APPROX. 120 LBS.



VIEW A-A
DIMENSIONS APPLY TO BOTH SIDES



FL103

DOCUMENT CONTROL PER SPECIFICATION 4.5.201

THIRD ANGLE PROJECTION 	UNLESS OTHERWISE SPECIFIED: ALL DIMENSIONS ARE IN INCHES TOLERANCE IN INCHES .XX ± .13 ANGLES ± 1°		STATUS: PRODUCTION		EASTERN ACOUSTIC WORKS ONE MAIN STREET WHITINSVILLE, MA 01588 USA
	(X.XX) = REF DIMS NO TOLERANCE IMPLIED T.S.C.=THEORETICAL SHARP CORNER DIMENSIONS ACROSS CENTERLINES TO BE SYMMETRICAL		APPROVALS DRAWN: RAS CHECKED: N/A DES ENG: MC MFG ENG: C O'N	DATE 3/25/96 N/A 9/4/95 4/25/96	
THIS DRAWING IS THE PROPERTY OF EAW AND SHALL NOT BE COPIED, REPRODUCED, OR USED AS THE BASIS FOR MANUFACTURE OR SALE OF APPARATUS WITHOUT WRITTEN AUTHORIZATION. DO NOT SCALE DRAWING.				A SHEET 1 OF 1 DRAWING NUMBER: 510012	SCALE: 1 TO 16 REVISION: 5