

FR152HR Technical Specifications



APPLICATIONS

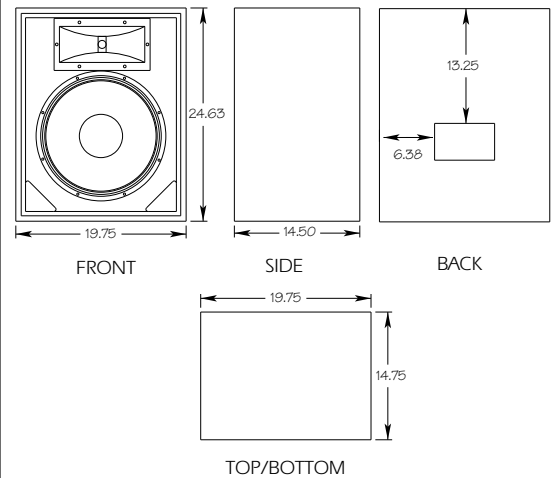
The FR152HR provides high level, high definition performance in a compact, cost effective package. The FR152HR has extended low frequency response and excellent high frequency pattern control. Its small footprint offers outstanding placement flexibility for use in a wide variety of short to medium-throw applications.

- Performing Arts Facilities
- Theaters
- Corporate A/V
- Touring Shows
- Churches
- Clubs
- Lecture Halls
- Professional Musicians



FR152H

ALL DIMENSIONS ARE IN INCHES UNLESS OTHERWISE NOTED



SPECIFICATIONS

Frequency Response

±3 dB	55 Hz to 17 kHz
-10 dB	45 Hz

Axial Sensitivity

SPL 1w @ 1m	100 dB
1/2 Space Efficiency	5.0 dB

Impedance

Nominal	8Ω
---------	----

Power Handling

AES	350 Watts
100 Hour Sine Wave	150 Watts

Maximum Output

Peak	125 dB SPL
Long Term	122 dB SPL

Nominal Coverage Angles (-6 dB)

Horizontal	90 degrees
Vertical	45 degrees

Additional Descriptive Data

LF Subsystem	1 x 15-in Vented
HF Subsystem	1x 1-in Throat Compression Driver, Constant Directivity Horn
Crossover Mode	Passive, Equalized
Finish	Black Catalyzed Polyurethane
Connectors	Dual 1/4" Phone Jacks, Banana Plugs, Neutrik NL4 Speakon™
Grill	Vinyl Coated Perforated Steel

Dimensions & Weights

Height	24.63 in (623 mm)
Width	19.63 in (496 mm)
Depth	14.75 in (293 mm)
Net Weight	68 lbs. (30.6 kg)
Shipping Weight	71 lbs. (32.27 kg)

OTHER RELEVANT DOCUMENTS

- Group B Hardware Technical Specifications*
- Group B Price Lists
- APP Testing Procedures*
- Weatherproofing Technical Specifications*
- Structural/Mechanical Technical Specifications*

*Soon to be released

ARCHITECTURAL SPECIFICATIONS

The loudspeaker system shall be a two-way design, incorporating a 15-inch low frequency cone-type transducer in a vented direct radiating enclosure and a compression driver mounted on a high frequency horn. The high frequency horn shall maintain constant horizontal coverage to above 25 kHz.

The system shall meet the following performance criteria: Frequency Response: 55 Hz to 17 kHz ±3 dB. Axial Sensitivity: 100 dB SPL 1W@1m over the 100 to 14 kHz band. Power Handling: 350 Watts full range AES Standard. Vertical Coverage Angle: 45 degrees between -6 dB points. Horizontal Coverage Angle: 90 degrees between -6 dB points.

The system shall include an internal passive crossover network, providing full range operation via rear panel inputs. The network shall be of a third order asymmetrical design with compensation for maximally flat response throughout the crossover region. Input connectors shall include dual 1/4" phone jacks, banana test points and Neutrik NL4 Speakon connectors.

The cabinet shall be constructed with void-free birch plywood with a minimum of 18 plys to the inch and coated with a catalyzed black polyurethane finish. The system shall be provided with one recessed handle on each side of the system and stacking corner protectors. All drivers shall be protected by a vinyl coated perforated steel grill.

The loudspeaker system shall be the EAW FR152 HR.



One Main Street, Whitinsville, MA 01588 ▪ (508) 234-6158 ▪ FAX (508) 234-8251 ▪ BBS (800) 889-2540

EAW products are continually improved. All specifications are therefore subject to change without notice. ▪ PUB# FR152/10/26/94 ▪ Printed In USA