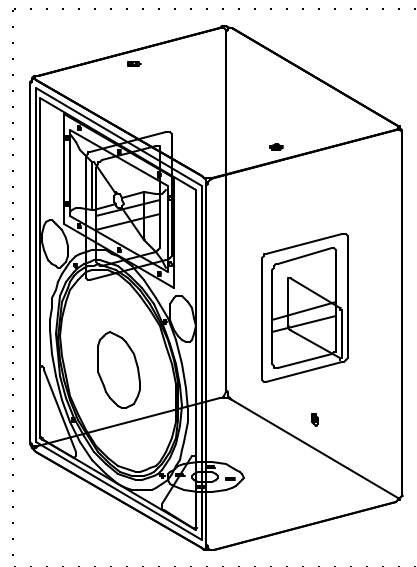
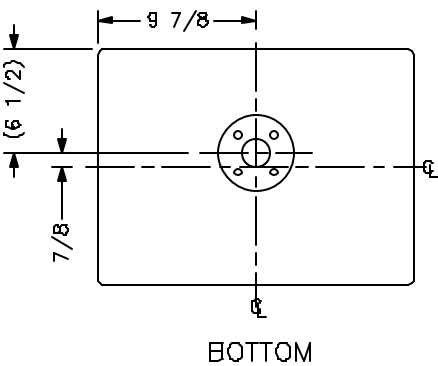
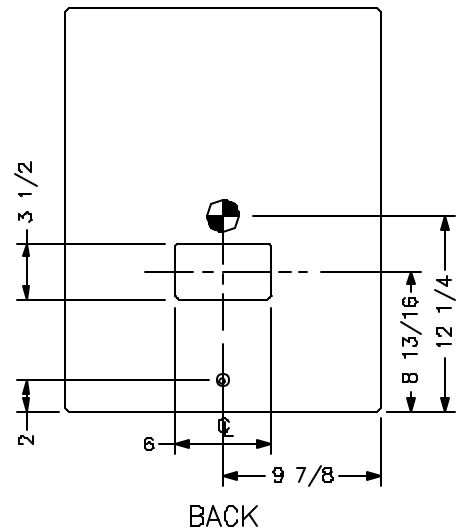
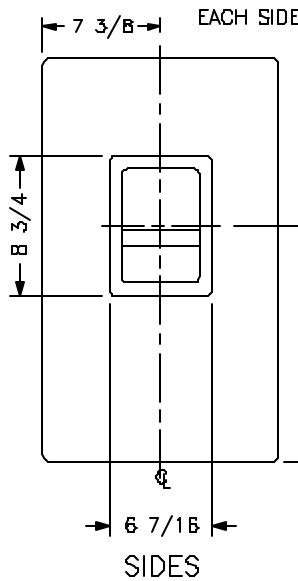
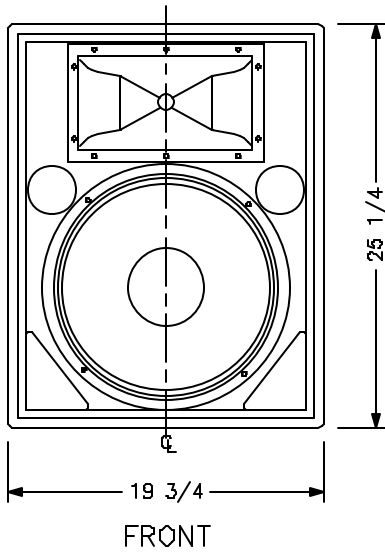
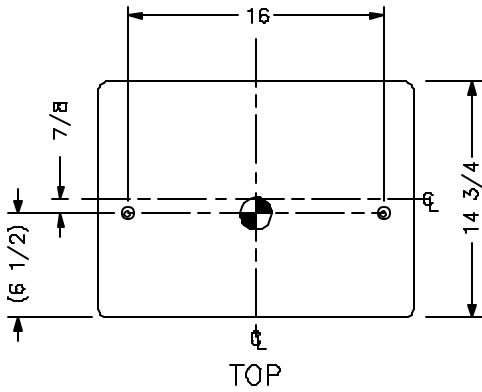


REV	ECO #	DATE	APPROVED
0	RELEASED	4/29/96	
A	ORACLE REVISION CONVERSION DRAWING WAS REVISION 0 UPDATED PER ECO#5151 JH 7/24/01		SS 7/31/01



NOTES: 1. SYMBOL \odot INDICATES 3/8-16 MOUNTING POINT. 2. SYMBOL \oplus INDICATES CENTER OF BALANCE. 3. WEIGHT APPROX. 60#, SHIPPING WEIGHT 68#. 4. INPUT HAS (2) NL4 CONNECTORS WIRED IN PARALLEL.	UNLESS OTHERWISE SPECIFIED, ALL DIMENSIONS ARE IN INCHES. TOLERANCES ON INCHES .XX +/- .03 .XXX +/- .010 ANGLES +/- 1/2° FRACTIONS +/- 1/8	APPROVAL		EAW WHITINSVILLE MA 01588	
		DRAWN: F LECOUR 1/30/96 ENG: GE 5/1/96	CABINET/FINISHED/BLACK/ FR152e [MECHANICAL SPECIFICATION]		
		MFG ENG: JS 5/3/96	SHEET: 1 OF 1 PART NO: 510291	SCALE: 1 TO 12 REV: A	
	THIS DRAWING IS THE PROPERTY OF EAW AND SHALL NOT BE COPIED, REPRODUCED, OR USED AS THE BASIS FOR MANUFACTURE OR SALE OF APPARATUS WITHOUT WRITTEN AUTHORIZATION.				