

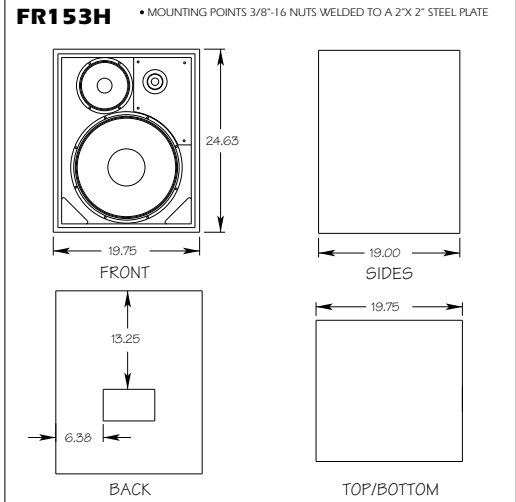
FR153HR Technical Specifications



APPLICATIONS

The FR153HR provides high level, exceptionally accurate reproduction with extended bass and a broad even coverage pattern, all in an easily transportable, cost effective package. Its compact footprint allows for placement and installation in many short-throw applications.

- Performing Arts Facilities
- Theaters
- Corporate AV
- Touring Shows
- Churches
- Clubs
- Lecture Halls
- Professional Musicians



SPECIFICATIONS

Frequency Response

±3 dB	48 Hz to 18 kHz
-10 dB	35 Hz

Axial Sensitivity

SPL 1w @ 1m	98 dB
1/2 Space Efficiency	3.7%

Impedance

Nominal	8Ω
---------	----

Power Handling

AES	450 Watts
100 Hour Sine Wave	200 Watts

Maximum Output

Peak	124.5 dB SPL
Long Term	121 dB SPL

Nominal Coverage Angles (-6 dB)

Horizontal	130 degrees
Vertical	100 degrees

Additional Descriptive Data

LF Subsystem	1 x 15-in Vented
MF Subsystem	1 x 7-in Poly-Laminated Cone
HF Subsystem	1 x 1-in Throat Compression Driver, WGP™ Wave Guide
Crossover Mode	Passive, Equalized
Finish	Black Catalyzed Polyurethane
Input Connectors	Dual 1/4" Phone Jacks, Banana Test Points, Neutrik NL4 Speakon™
Grill	Vinyl Coated Perforated Steel

Dimensions & Weights

Height	24.63 in (623 mm)
Width	19.75 in (496 mm)
Depth	14.75 in (293 mm)
Net Weight	78 lbs. (35.1 kg)
Shipping Weight	80 lbs. (36.4 kg)

OTHER RELEVANT DOCUMENTS

- Group B Hardware Technical Specifications*
 - Group B Price Lists
 - APP Testing Procedures*
 - Weatherproofing Technical Specifications*
 - Structural/Mechanical Technical Specifications*
- *Soon to be released

ARCHITECTURAL SPECS

The loudspeaker system shall be a three-way design, incorporating a 15-inch low frequency cone-type transducer in a vented direct radiating enclosure, one 170 mm (nominal 7-inch) cone type mid frequency transducer, and a compression driver mounted on a high frequency wave guide system. The mid driver shall utilize a poly-laminated cone and be mounted in a sealed sub chamber within the system enclosure.

The system shall meet the following performance criteria: Frequency Response: 48 Hz to 18 kHz ±3 dB. Axial Sensitivity: 98 dB SPL 1W@1m over the 100 to 10 kHz band. Power Handling: 450 Watts full range AES Standard. Horizontal Coverage Angle: 130 degrees between -6 dB points.

The system shall include an internal passive crossover network, providing full range operation via rear panel inputs. The network shall be of a third order asymmetrical design with compensation for maximally flat response throughout the crossover region. Input connectors shall include dual 1/4" phone jacks, banana test points and Neutrik NL4FC Speakon connectors and be located on the rear of the cabinet.

The cabinet shall be constructed with void-free birch plywood with a minimum of 18 plys to the inch and coated with a catalyzed black polyurethane finish. The system shall be provided with one recessed handle on each side of the system and stacking corner protectors. All drivers shall be protected by a vinyl coated perforated steel grill.

The loudspeaker system shall be the EAW FR153HR .



One Main Street, Whitinsville, MA 01588 ▪ (508) 234 - 6158 ▪ FAX (508) 234 - 8251 ▪ BBS (800) 889-2540

EAW products are continually improved. All specifications are therefore subject to change without notice. ▪ PUB# FR152/10/26/94 ▪ Printed In USA