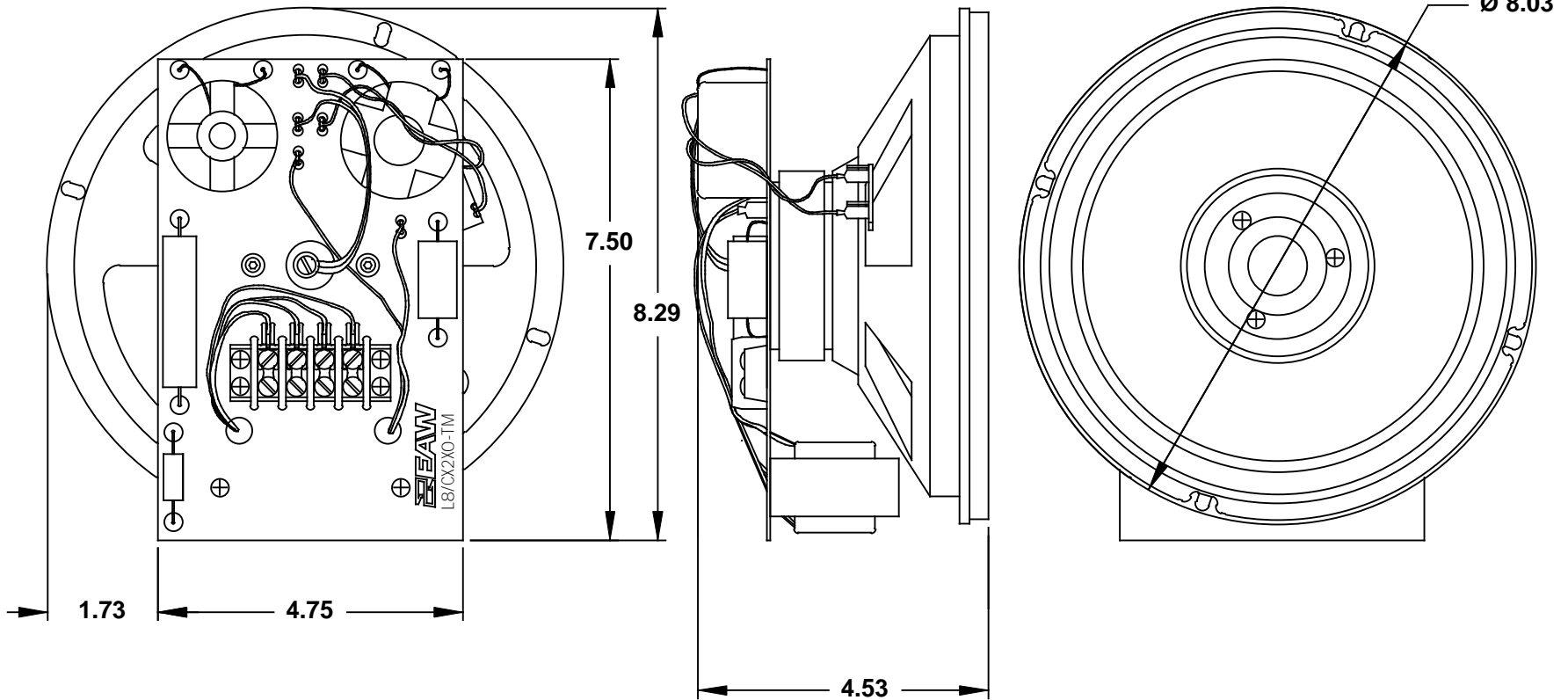


NOTES:

1. WEIGHT APPROX. 5.00 LBS.

2. SHIPPING WEIGHT APPROX. 6.00 LBS.

REV	DESCRIPTION	APVD/DATE
0	NEW ISSUED PER DSR #00-1140 DM 9/6/00.	KFH 9/6/00



<p>THIRD ANGLE PROJECTION</p>	<p>UNLESS OTHERWISE SPECIFIED: ALL DIMENSIONS ARE IN INCHES</p> <p>TOLERANCE IN INCHES .X ± .1 .XX ± .03 .XXX ± .010 FRACTIONS ± 1/32 ANGLES ± 1/2°</p> <p>(X.XX) = REF DIMS NO TOLERANCE IMPLIED</p> <p>T.S.C.=THEORETICAL SHARP CORNER</p> <p>DIMENSIONS ACROSS CENTERLINES TO BE SYMMETRICAL</p>	<p>STATUS: PRODUCTION</p>		<p>ONE MAIN STREET WHITINSVILLE, MA 01588 USA</p>
		<p>APPROVALS</p> <p>DATE</p>		
		<p>DRAWN: DM</p>	<p>9/6/00</p>	<p>A SHEET 1 OF 1 SCALE: 1 TO 2.5</p>
		<p>CHECKED: KFH</p>	<p>9/6/00</p>	
		<p>DES ENG: JR</p>	<p>9/6/00</p>	
		<p>MFG ENG: MCB</p>	<p>9/6/00</p>	