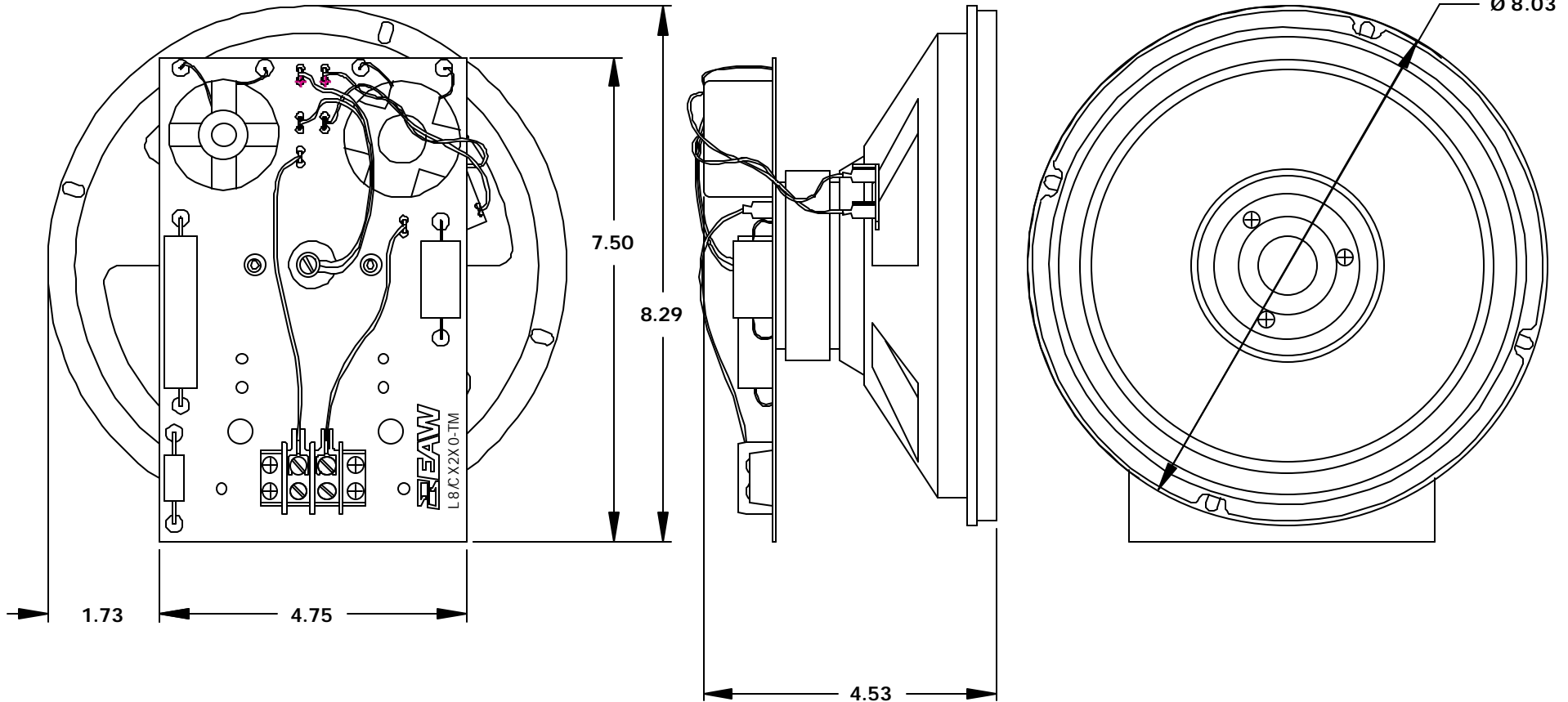


NOTES:

1. WEIGHT APPROX. 6.50 LBS.

2. SHIPPING WEIGHT APPROX. 7.50 LBS.

REV	DESCRIPTION	APVD/DATE
0	RELEASED TO PRODUCTION FROM REV A. PER DSR #00-831 DM 6/27/00.	KFH 6/28/00



<p>THIRD ANGLE PROJECTION</p>	<p>UNLESS OTHERWISE SPECIFIED, ALL DIMENSIONS ARE IN INCHES</p> <p>TOLERANCE IN INCHES                  .X ± .1    .XX ± 0.3    .XXX ± .010                  FRACTIONS ± 1/32                  ANGLES ± 1/2°</p> <p>(X.XX) = REF DIMS                  NO TOLERANCE IMPLIED</p> <p>T.S.C = THEORETICAL SHARP CORNER                  DIMENSIONS ACROSS CENTERLINES                  TO BE SYMMETRICAL</p>	<p>STATUS:      PRODUCTION</p>		EASTERN ACOUSTIC WORKS ONE MAIN STREET WHITINSVILLE, MA 01588 USA	
		<p>APPROVALS</p> <p>DRAWN: JRM</p> <p>CHECKED: KFH</p> <p>DES ENG: JAR</p> <p>MFG ENG: MCB</p>	<p>DATE</p> <p>2/07/00</p> <p>6/28/00</p> <p>6/30/00</p> <p>7/19/00</p>		<p>TITLE:</p> <p>L8/CX2X0 ASSEMBLY 275011</p>
<p>THIS DRAWING IS THE PROPERTY                  OF EAW AND SHALL NOT BE                  COPIED, REPRODUCED, OR USED                  AS THE BASIS FOR MANUFACTURE                  OR SALE OF APPARATUS WITHOUT                  WRITTEN AUTHORIZATION. DO NOT                  SCALE DRAWING.</p>	<p>A</p>	<p>SHEET 1 OF 1</p>	<p>SCALE 1 TO 2.5</p>	<p>DRAWING NUMBER: 275011</p>	<p>REVISION: 0</p>