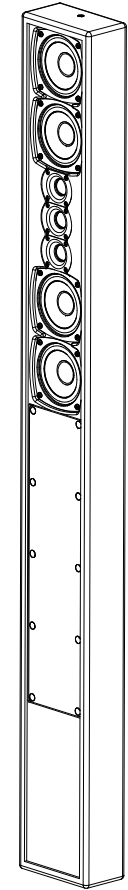
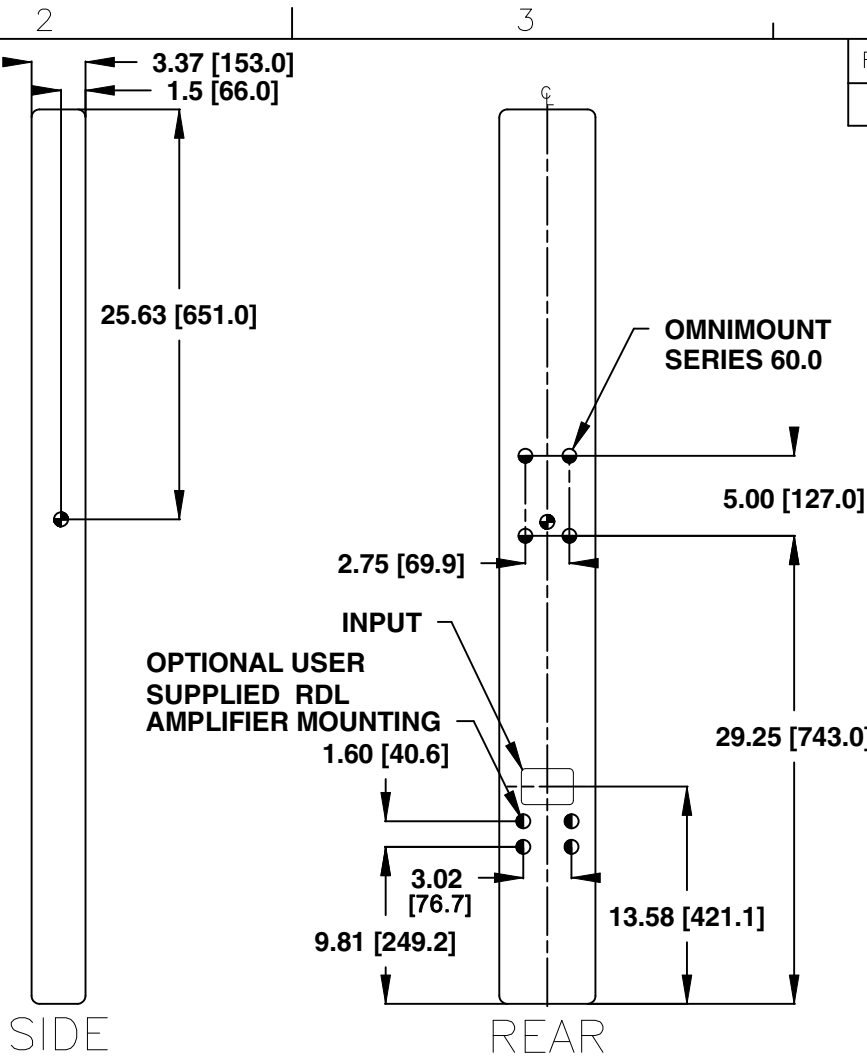
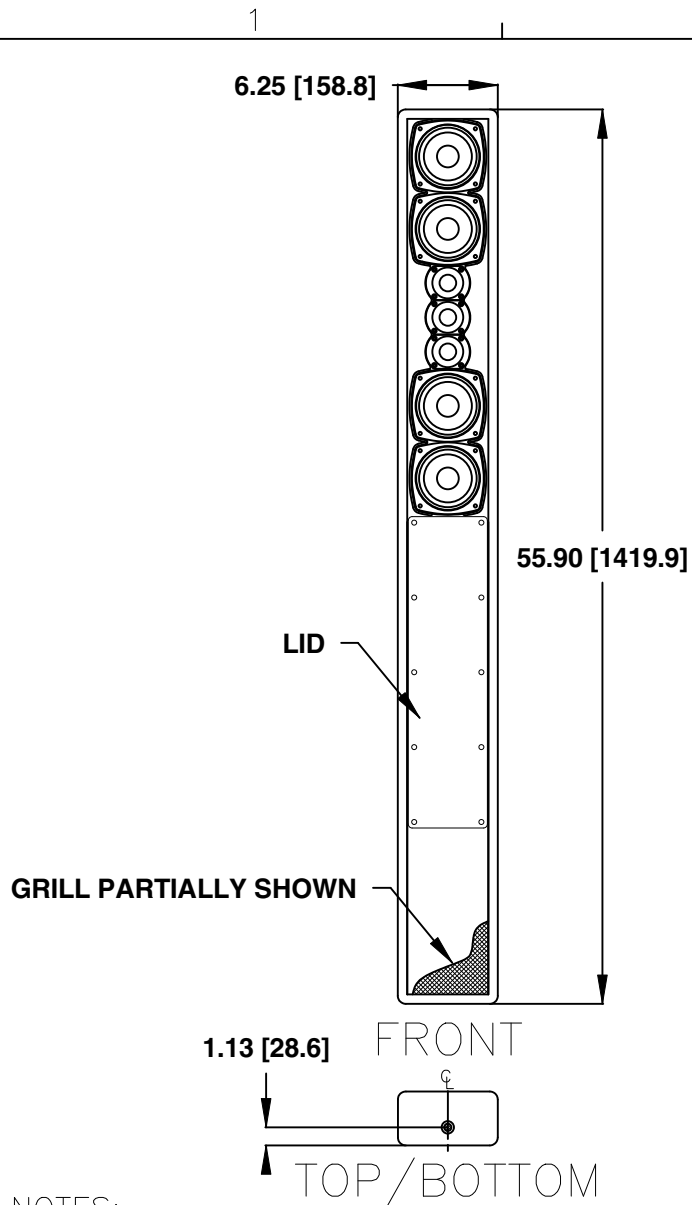


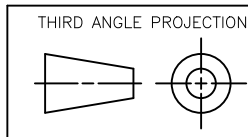
REV	CHANGE NUMBER	DATE
A	ECOWHT8999	10/19/12



LS432i-P103

NOTES:

1. SYMBOL INDICATES 1/4-20 THREADED MOUNTING POINT.
2. SYMBOL INDICATES 5/16-18 THREADED MOUNTING POINT.
3. SYMBOL INDICATES NON LOAD BEARING MOUNTING POINT, 8-32 THREADED HOLE.
4. SYMBOL INDICATES CENTER OF BALANCE.
5. WEIGHT APPROX. 25 lb [11 kg]
6. SHIPPING WEIGHT APPROX. 35 lb [16 kg]



THE INFORMATION CONTAINED HEREIN IS PROPRIETARY AND CONFIDENTIAL PROPERTY OF LOUD TECHNOLOGIES, INC. ALL RIGHTS RESERVED

UNLESS OTHERWISE SPECIFIED: ALL DIMENSIONS ARE IN INCHES DUAL [MM] DIMENSIONS FOR REF ONLY

TOLERANCES
 LINEAR ± 0.13 in/ ± 3.3 mm
 ANGLES ± 1°

(X.XX) = REF DIMS
 NO TOLERANCE IMPLIED

TSC=THEORETICAL SHARP CORNER

DIMENSIONS ACROSS CENTERLINES TO BE SYMMETRICAL

EAW www.eaw.com

TITLE:
 DWG CUSTOMER LS432i-P103
 [MECHANICAL SPECIFICATION]

A SHEET 1 OF 1 SCALE: 1 TO 12

DRAWING NUMBER: 2038837-CD REVISION: A