
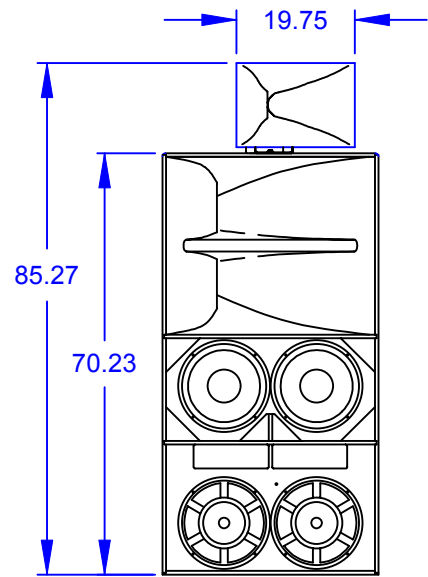
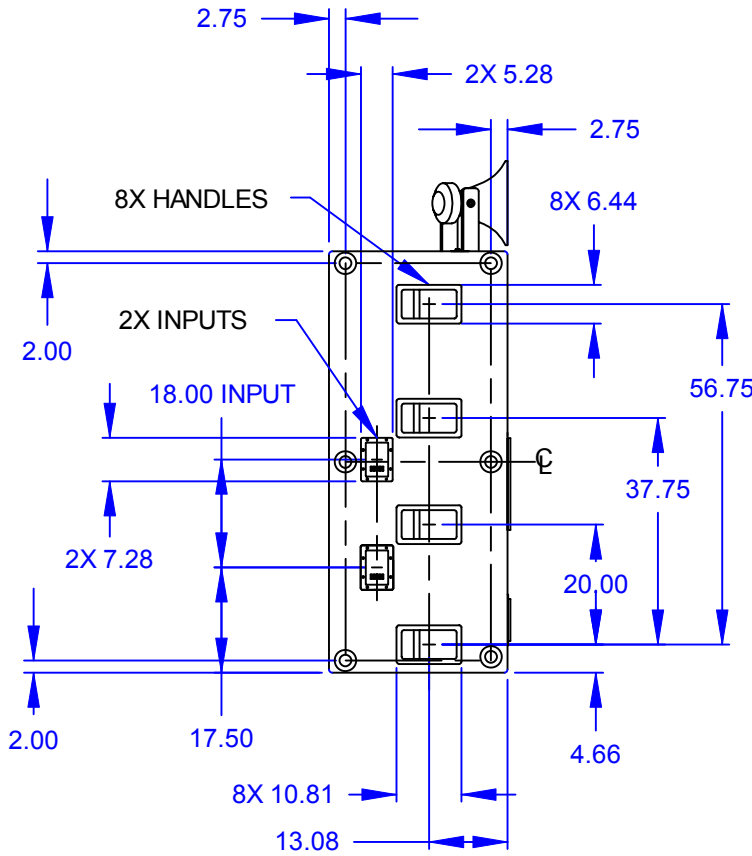


REV	DESCRIPTION	APPROVED
A	NEW ISSUE PER DSR 98-107 JRM 8/7/98	

NOTES:

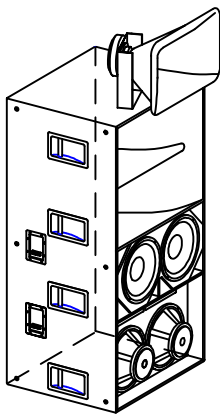
1. SYMBOL  INDICATES MOUNTING POINT, 3/8-16 THREADED HOLE.
2. CENTER OF BALANCE TBD.
3. WEIGHT APPROX. LBS TBD.
4. SHIPPING WEIGHT APPROX. LBS TBD.




FRONT

SIDE

DIMENSIONS APPLY TO BOTH SIDES



MC4973AF LEFT

UNLESS OTHERWISE SPECIFIED: ALL DIMENSIONS ARE IN INCHES.	APPROVAL / DATE		 EASTERN ACOUSTIC WORKS ONE MAIN STREET WHITINSVILLE, MASSACHUSETTS 01588 USA	
	DRAWN: JRM	8/7/98		
TOLERANCE IN INCHES	CHECKED:	/ /98	CABINET/FINISHED/BLACK MC4973AF LM LEFT [MECHANICAL SPECIFICATIONS]	
<small>XX ±.12</small> THIS DRAWING IS THE PROPERTY OF EAW AND SHALL NOT BE COPIED, REPRODUCED, OR USED AS THE BASIS FOR MANUFACTURE OR SALE OF APPARATUS WITHOUT WRITTEN AUTHORIZATION. DO NOT SCALE DRAWING.	DES ENG:	/ /98	SHEET 1 OF 1	SCALE: 1 TO 24
	MFG ENG:	/ /98	DWG NO: 510755	REV A