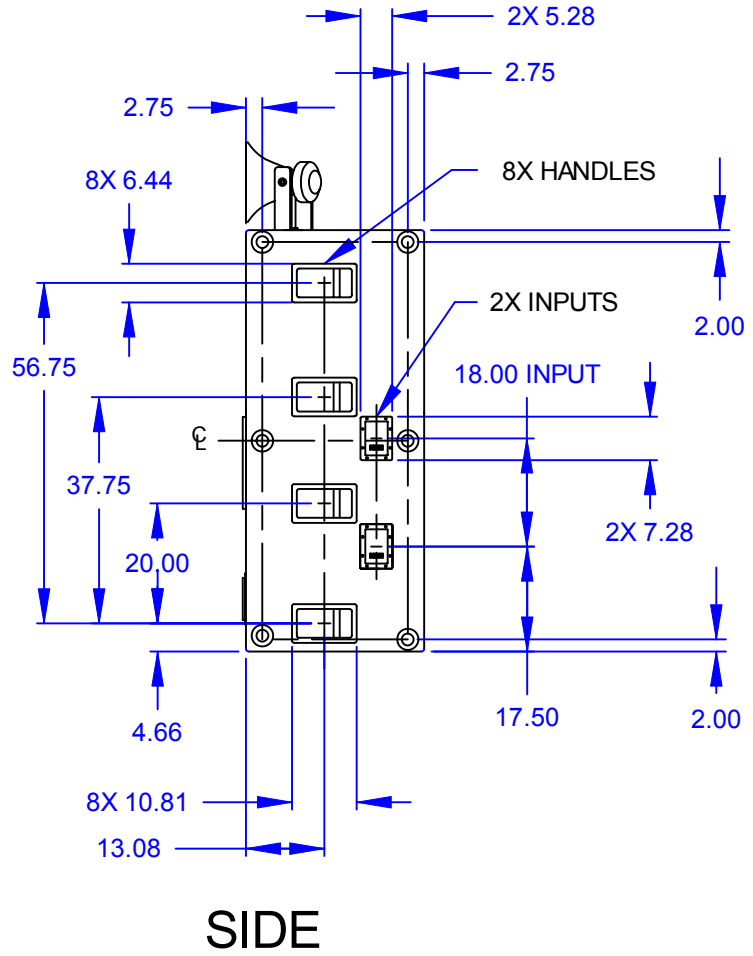
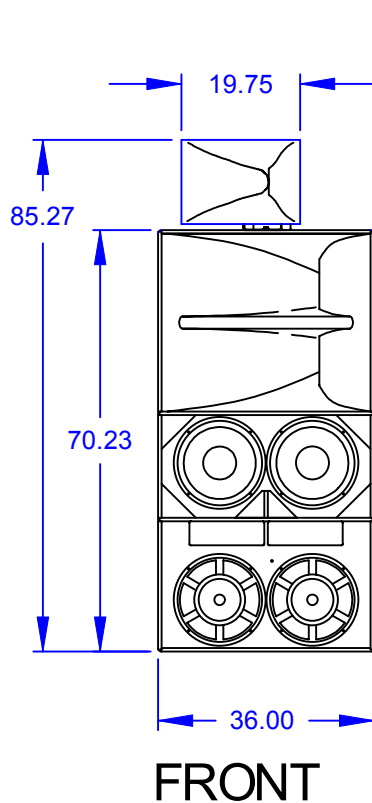


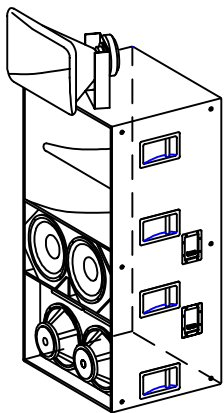
REV	DESCRIPTION	APPROVED
A	NEW ISSUE PER DSR 98-107 JRM 8/7/98	

NOTES:

1. SYMBOL  $\odot$  INDICATES MOUNTING POINT, 3/8-16 THREADED HOLE.
2. CENTER OF BALANCE TBD.
3. WEIGHT APPROX. LBS TBD.
4. SHIPPING WEIGHT APPROX. LBS TBD.



DIMENSIONS APPLY  
TO BOTH SIDES



**MC4973AF  
RIGHT**

UNLESS OTHERWISE SPECIFIED: ALL DIMENSIONS ARE IN INCHES.	APPROVAL / DATE		<b>EAW</b> EASTERN ACOUSTIC WORKS <small>ONE MAIN STREET WHITINSVILLE, MASSACHUSETTS 01588 USA</small>	
	DRAWN: JRM	8/7/98		
TOLERANCE IN INCHES	CHECKED:	/ /98	CABINET/FINISHED/BLACK MC4973AF LM RIGHT [MECHANICAL SPECIFICATIONS]	
.XX ±.12	DES ENG:	/ /98	SHEET 1 OF 1	SCALE: 1 TO 24
THIS DRAWING IS THE PROPERTY OF EAW AND SHALL NOT BE COPIED, REPRODUCED, OR USED AS THE BASIS FOR MANUFACTURE OR SALE OF APPARATUS WITHOUT WRITTEN AUTHORIZATION. DO NOT SCALE DRAWING.	MFG ENG:	/ /98	DWG NO: 510756	REV A