

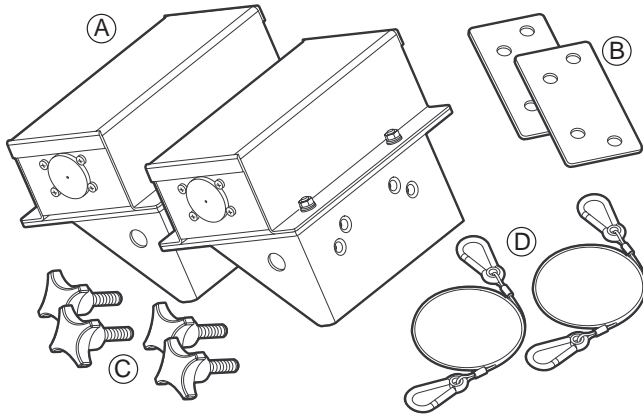


# Installation Instructions POWERTOOLS Laser Pointer Angle Finder Assembly

**WARNING:** Suspending loudspeakers should be done with extreme caution by certified professionals who are qualified to determine the requirements for and to implement overhead rigging. Failure to follow proper precautions may result in damage to the equipment, injury, or death.

**INVENTORY:** Before beginning installation, inventory your hardware to the items listed.

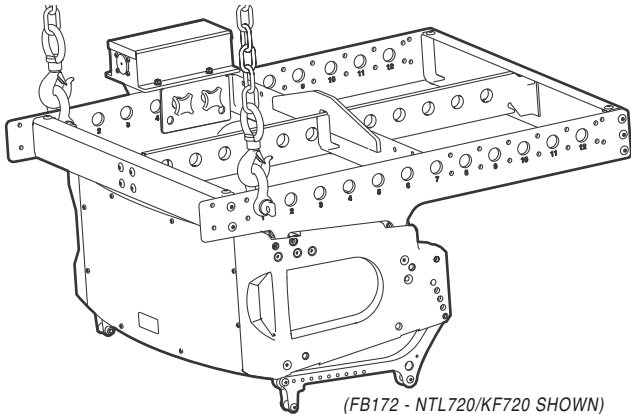
| Item | Qty | Description                                    |
|------|-----|--|
| A    | 2   | Powertools Laser Pointer Angle Finder Assembly |
| B    | 2   | Pointer Plate                                  |
| C    | 4   | Knob   |
| D    | 2   | Safety Cables                                  |
| E    | 1   | Instructions (This Sheet)                      |



**INTRODUCTION:** A POWERTOOLS Laser Pointer Angle Finder Assembly (A) is to be mounted onto the following Fly-Bars: FB172 (NTL720 / KF720 Array), FB173 (KF730 Array), FB174 (KF740 Array) and FB276 (KF760 Array). It mounts to the top edge of the fly bar so its laser will have a clear path from the array.

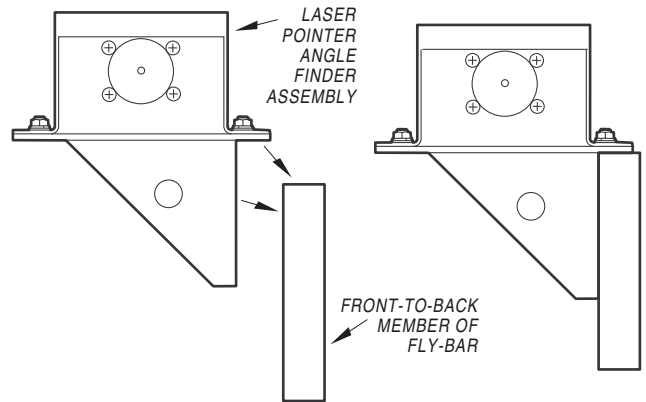
## LOCATING YOUR LASER ASSY:

1. Configure your desired arrays in EAW Resolution and note the pick holes to be used on each fly bar.

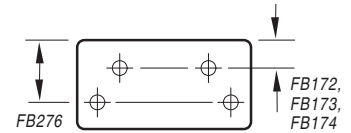


2. Mount one Laser Assembly on each fly bar using holes that do not interfere with those noted in Step 1. The Laser Assy can be slid forward or backward to accommodate different pick-points.

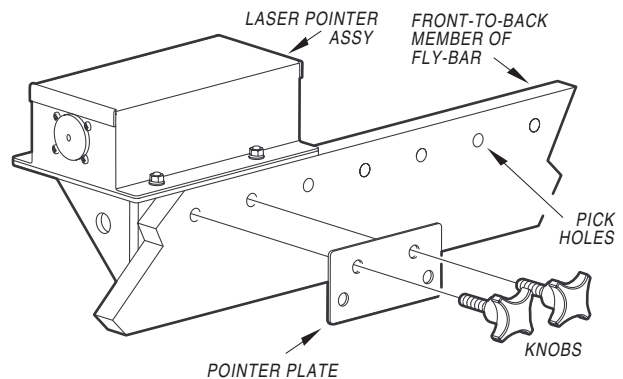
3. Register the Laser Assembly on one of the front-to-back bars of the fly bar as shown below in order to provide accurate aiming.



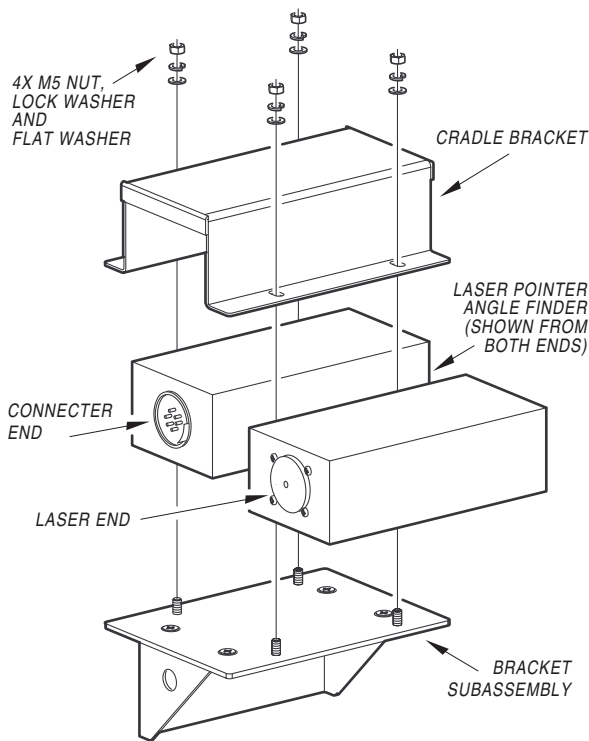
The distance from the fly-bar's top surface down to its pick holes is the same for the FB172, FB173, and FB174, but this distance is greater for the larger FB276 fly bar.



Note the correct mounting holes in the Pointer Plate (B) for your array and align them to two holes in the fly bar.



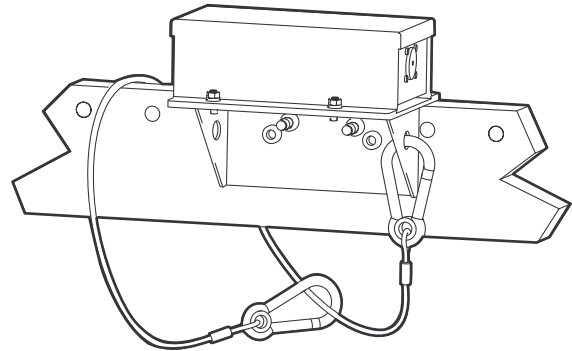
4. Attach the Assembly and Pointer Plate to the fly bar threading in the Knobs (C) a few turns as shown above. Confirm the Assembly is flush to the side and top of the bar then tighten both Knobs.



6. If it becomes necessary to mount the Laser Assy to the right of the front-to-back member of the fly bar, its laser must be repositioned to point towards the front. To do this follow these steps:

- a. Remove and retain the 4 nuts, lock washers, flat washers.
- b. Lift the cradle bracket from the laser assy.
- c. Reposition the laser pointer 180 degrees.
- d. Replace the cradle bracket.

7. Attach the clip at one end of the Safety Cable (D) to one of the holes in the Assembly. Loop the cable and form a noose around the attached fly bar.



8. Follow the instructions provided by the Laser Pointer Angle Finder manufacturer to connect the Laser Pointer Angle Finder to its receiver unit and for proper usage of the Laser Pointer Angle Finder in general.

If you have questions about these POWERTOOLS Laser Pointer Angle Finder Installation Instructions please contact the EAW Application Support Group:

Tel 800-992-5013 (USA only)  
 Tel 508-234-6158  
 Fax 508-234-8251  
 E-mail [asg@eaw.com](mailto:asg@eaw.com)

The Laws of Physics | The Art of Listening



One Main Street, Whitinsville, MA 01588 tel: 800 992 5013 / 508 234 6158 fax: 508 234 8251 web: [www.eaw.com](http://www.eaw.com)