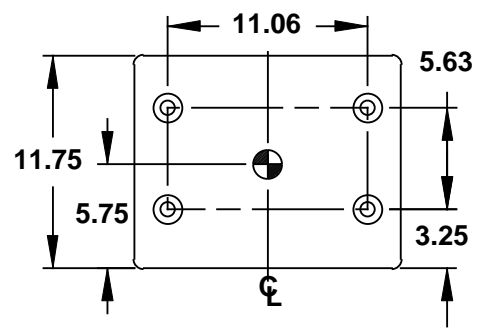
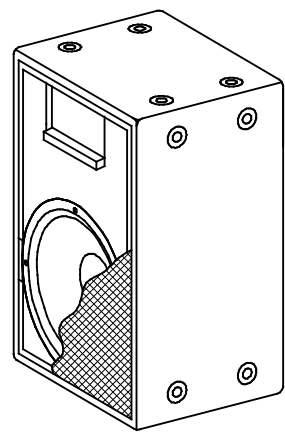


REV	DESCRIPTION	APVD/DATE
1	REVISED PER ECO #4996 DM 5/24/01	JRM 6/7/01

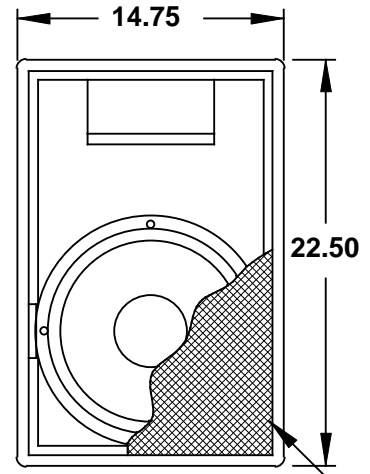


TOP/BOTTOM

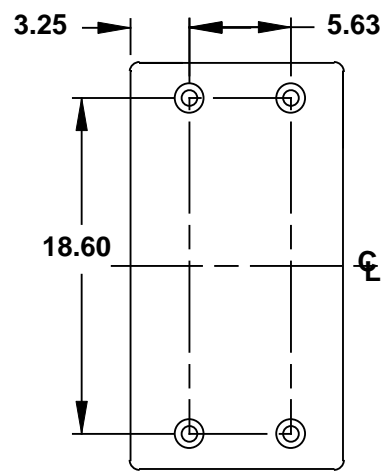
- NOTES:**
1. SYMBOL \odot INDICATES MOUNTING POINT, 3/8-16 THREADED HOLE (PI ANGLE).
 2. SYMBOL \bullet INDICATES CENTER OF BALANCE.
 3. WEIGHT APPROX. 50 LBS.
 4. SHIPPING WEIGHT APPROX. 55 LBS.



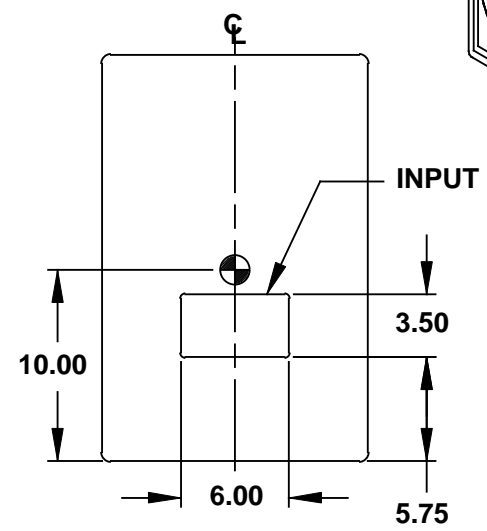
SB120P



FRONT
GRILLE PARTIALLY SHOWN



RIGHT SIDE
DIMENSIONS APPLY TO BOTH SIDES



BACK

DOCUMENT CONTROL PER SPECIFICATION 4.5.201

THIRD ANGLE PROJECTION

THIS DRAWING IS THE PROPERTY OF EAW AND SHALL NOT BE COPIED, REPRODUCED, OR USED AS THE BASIS FOR MANUFACTURE OR SALE OF APPARATUS WITHOUT WRITTEN AUTHORIZATION. DO NOT SCALE DRAWING.

UNLESS OTHERWISE SPECIFIED:
ALL DIMENSIONS ARE IN INCHES
TOLERANCE IN INCHES
.XX ± .13
ANGLES ± 1°

(X.XX) = REF DIMS
NO TOLERANCE IMPLIED

T.S.C.=THEORETICAL SHARP CORNER

DIMENSIONS ACROSS CENTERLINES TO BE SYMMETRICAL

STATUS: PRODUCTION	
APPROVALS	DATE
DRAWN: JRM	3/18/97
CHECKED: JWB	3/19/97
DES ENG: N/A	N/A
MFG ENG: N/A	N/A

EAW EASTERN ACOUSTIC WORKS
ONE MAIN STREET
WHITINSVILLE, MA 01588 USA

TITLE:
CABINET/FINISHED/SB120P
[MECHANICAL SPECIFICATION]

A	SHEET 1 OF 1	SCALE: 1 TO 10
DRAWING NUMBER: 510125		REVISION: 1