
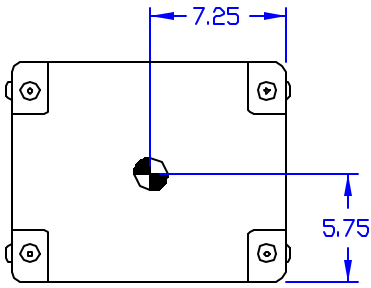


REV	DESCRIPTION	APVD/DATE
0	RELEASED TO PRODUCTION PER DSR #99-1062 DM 8/9/99,	KFH 8/10/99

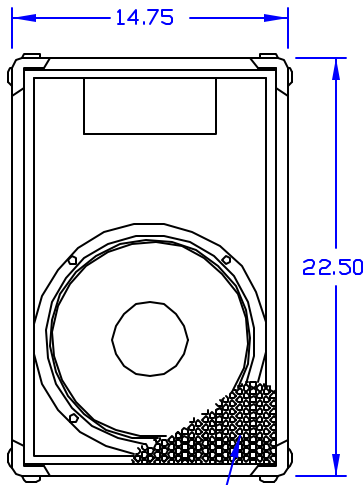
NOTES:

1. SYMBOL  INDICATES CENTER OF BALANCE
2. WEIGHT: 47.5 LBS
3. SHIPPING WEIGHT: 51 LBS

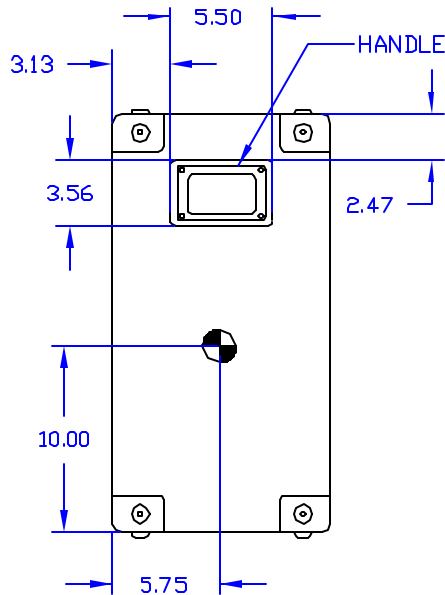


TOP/ BOTTOM

DIMENSIONS APPLY TO BOTH SIDES

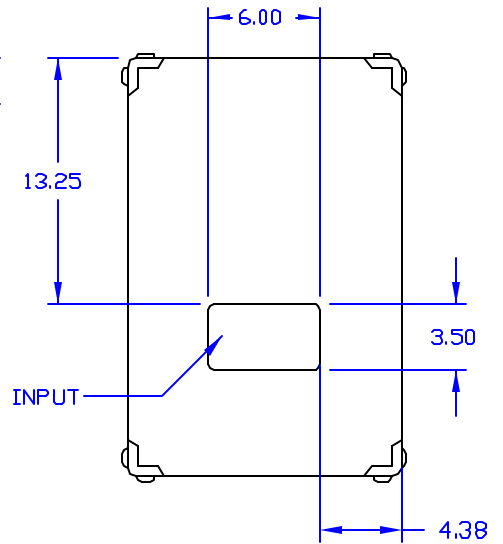


FRONT

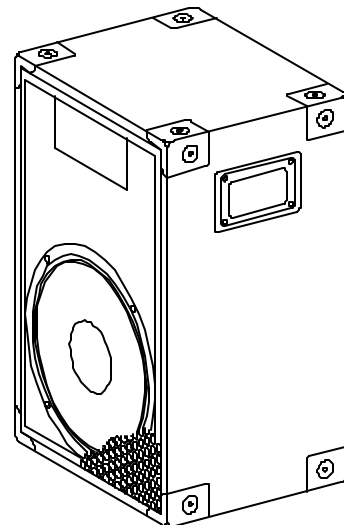


SIDES

DIMENSIONS APPLY TO BOTH SIDES



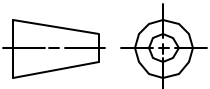
BACK



SB120R

DOCUMENT CONTROL PER SPECIFICATION 4.5.201

THIRD ANGLE PROJECTION



UNLESS OTHERWISE SPECIFIED ALL DIMENSIONS ARE IN INCHES

TOLERANCE IN INCHES  
.XX ± .13  
ANGLES ±11

(XXX) = REF DIMS  
NO TOLERANCE IMPLIED

T.S.C.=THEORETICAL SHARP CORNER  
DIMENSIONS ACROSS CENTERLINES TO BE SYMMETRICAL

STATUS: PRODUCTION

APPROVALS

DRAWN:	DATE
DM	8/9/99
CHECKED:	
KFH	8/10/99
DES ENG:	
JR	8/11/99
MFG ENG:	
CAC	8/10/99

**EA** EASTERN ACOUSTIC WORKS  
ONE MAIN STREET  
WHITONSVILLE, VA 21588 USA

TITLE: CABINET/FINISHED/BLACK-SB120R  
[MECHANICAL SPECIFICATIONS]

A SHEET 1 OF 1 SCALE: 1 TO 10

DRAWING NUMBER: 510126 REVISION: 0

THIS DRAWING IS THE PROPERTY OF EAW AND SHALL NOT BE COPIED, REPRODUCED, OR USED AS THE BASIS FOR MANUFACTURE OR SALE OF APPARATUS WITHOUT WRITTEN AUTHORIZATION. DO NOT SCALE DRAWING.