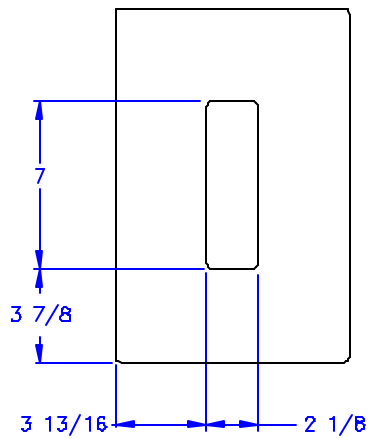
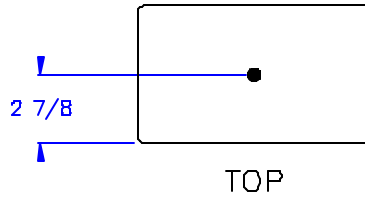
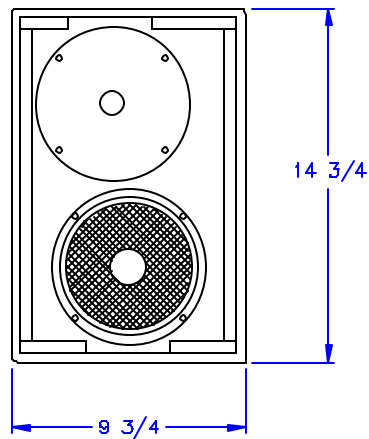


REV	DESCRIPTION	DATE	APPROVED
1	2331	11/19/96	PSN



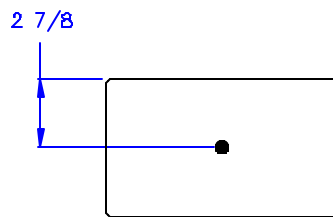
BACK



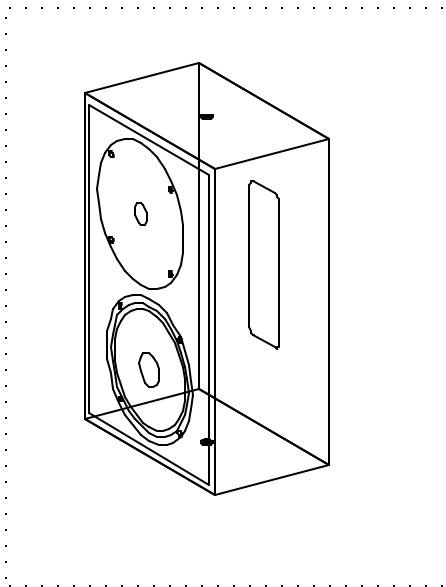
FRONT



SIDES



BOTTOM



NOTES:
1. ● = 1/4-20 FEMALE THREAD

UNLESS OTHERWISE SPECIFIED:
ALL DIMENSIONS ARE IN INCHES.

APPROVAL / DATE

TOLERANCE IN INCHES

.X ±.063 328

.XY ±.030 FRACTIONS ±1/

THIS DRAWING IS THE PROPERTY OF SEAW AND SHALL NOT BE COPIED, REPRODUCED, OR USED AS THE BASIS FOR MANUFACTURE OR SALE OF APPARATUS WITHOUT WRITTEN AUTHORIZATION. DO NOT SCALE DRAWING.

DRAWN: NYSTEDT 01/26/96

CHECKED:

DES ENG: JR

MFG ENG: JS

01/26/96

01/31/96

01/31/96

SEAW EASTERN ACOUSTIC WORKS
ONE MAIN STREET WHITINSVILLE, MASSACHUSETTS 01088 USA

CABINET/FINISHED/BLACK
[UB62]
CABINET MECHANICAL SPEC.

SHEET 1 OF 1

SCALE: 1 TO 8 .

DWG NO: 510331

REV: 1