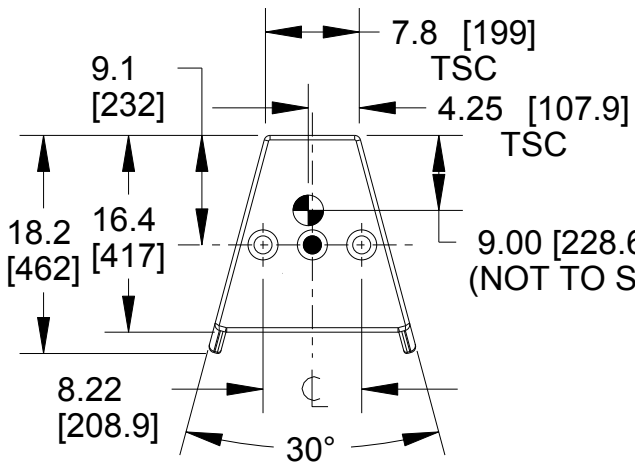
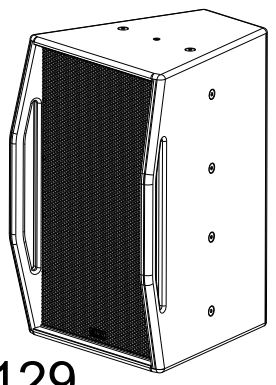


REV	CHANGE NUMBER	DATE
A	ECOWHT8070	11/3/11

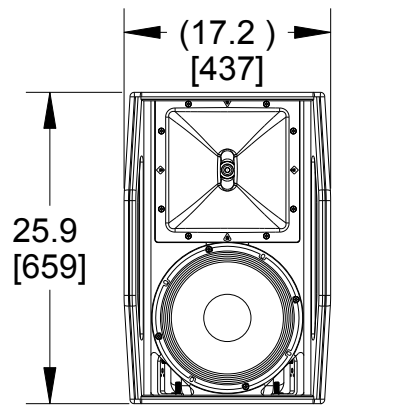


TOP



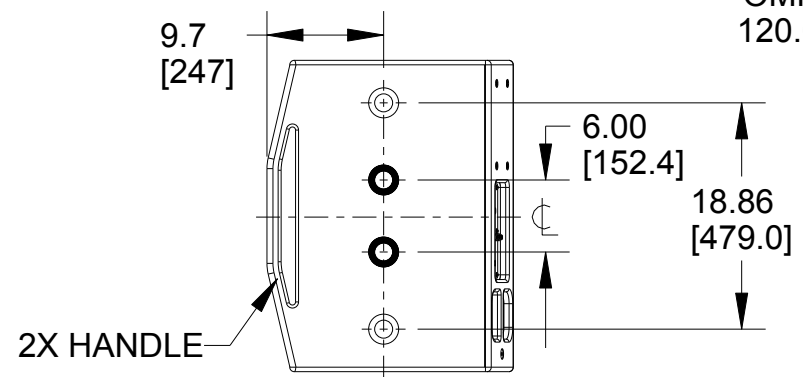
VFR129

- NOTES:**
1. SYMBOL INDICATES CENTER OF BALANCE.
 2. SYMBOL INDICATES MOUNTING POINT, M10 THREADED HOLE (PI ANGLE).
 3. SYMBOL INDICATES MOUNTING POINT, M10 THREADED HOLE (RIVNUT).
 4. SYMBOL INDICATES MOUNTING POINT, M8 THREADED HOLE FOR OMNIMOUNT 120.0 SERIES.
 5. SYMBOL INDICATES MOUNTING POINT, M6 THREADED HOLE.
 6. WEIGHT APPROX. 56 lb [25.5 kg].
 7. SHIPPING WEIGHT APPROX. 73 lb [33.2 kg].



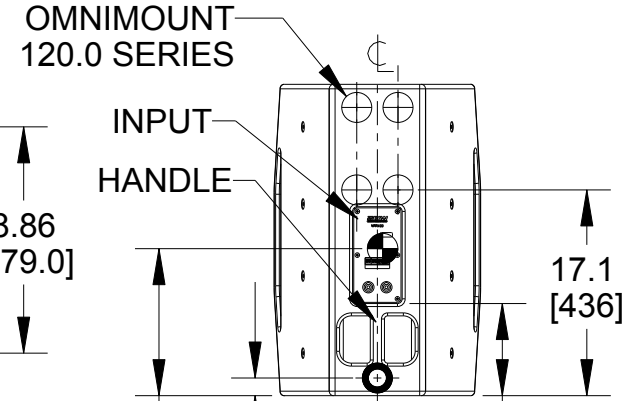
FRONT

GRILLE NOT SHOWN FOR CLARITY

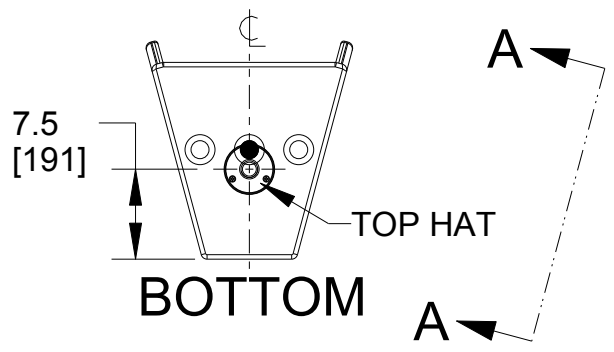


VIEW A-A

DIMENSIONS APPLY TO BOTH SIDES



BACK



BOTTOM

THIRD ANGLE PROJECTION

THE INFORMATION CONTAINED HEREIN IS PROPRIETARY AND CONFIDENTIAL PROPERTY OF LOUD TECHNOLOGIES, INC. ALL RIGHTS RESERVED

UNLESS OTHERWISE SPECIFIED:
ALL DIMENSIONS ARE IN INCHES
DUAL [MM] DIMENSIONS FOR REF ONLY

TOLERANCE IN INCHES
LINEAR ± 0.13 in / ± 3.3 mm
ANGLES ± 1°

(X.XX) = REF DIMS
NO TOLERANCE IMPLIED

TSC = THEORETICAL SHARP CORNER

DIMENSIONS ACROSS CENTERLINES TO BE SYMMETRICAL

EAW www.eaw.com

TITLE:
**DWG CUSTOMER VFR129
[MECHANICAL SPECIFICATION]**

A	SHEET 1 OF 1	SCALE: 0.063
DRAWING NUMBER: 2037423-CD		REVISION: A