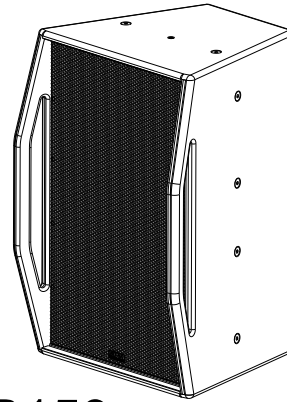
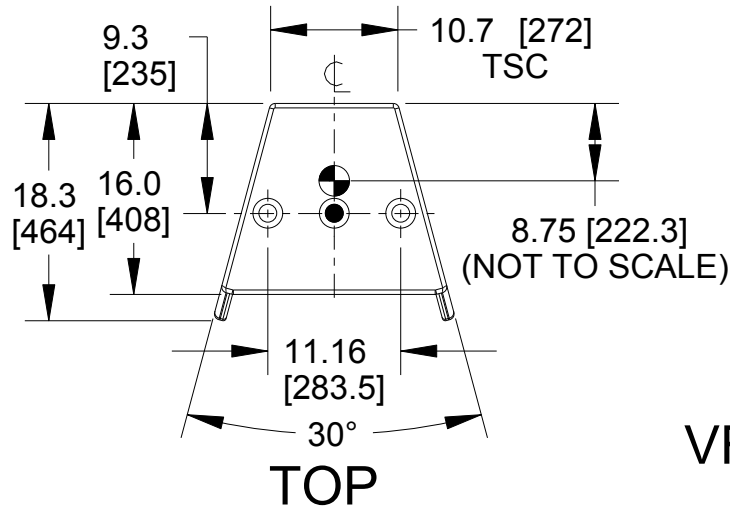


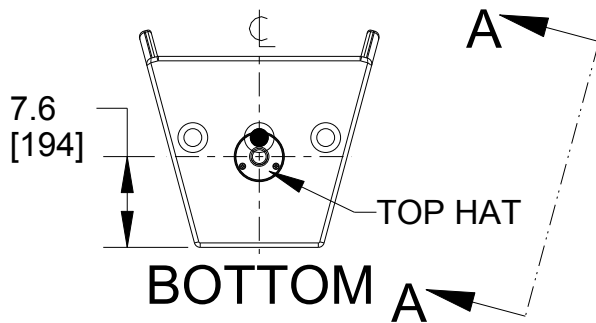
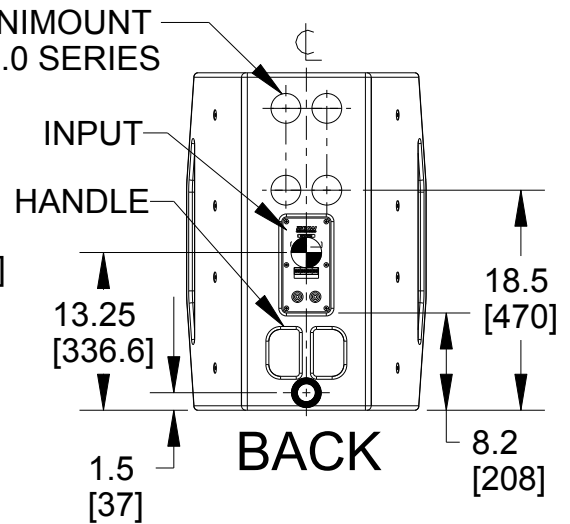
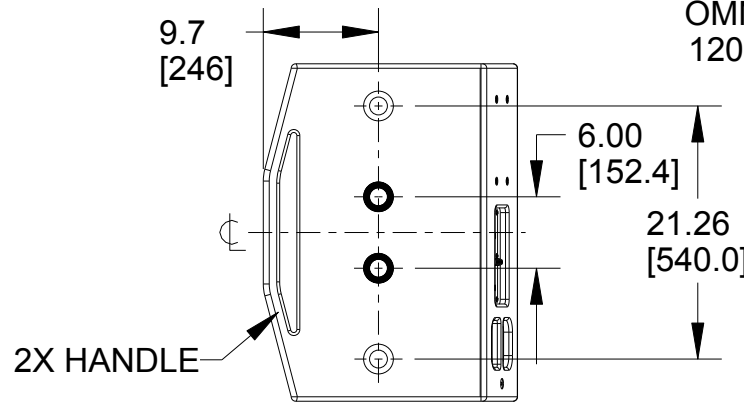
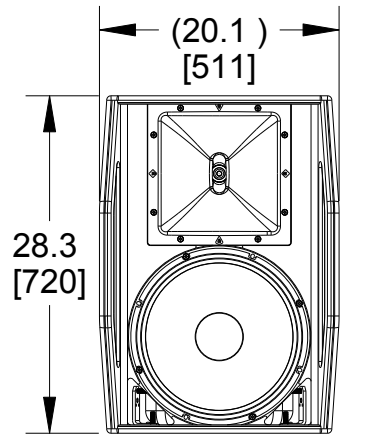
REV	CHANGE NUMBER	DATE
A	ECOWHT8010	10/17/11



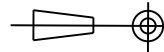
VFR159

NOTES:

1. SYMBOL INDICATES CENTER OF BALANCE.
2. SYMBOL INDICATES MOUNTING POINT, M10 THREADED HOLE (PI ANGLE).
3. SYMBOL INDICATES MOUNTING POINT, M10 THREADED HOLE (RIVET T-NUT).
4. SYMBOL INDICATES MOUNTING POINT, M8 THREADED HOLE FOR OMNIMOUNT 120.0 SERIES.
5. SYMBOL INDICATES MOUNTING POINT, M6 THREADED HOLE.
6. WEIGHT APPROX. 60 lb [27.2 kg].
7. SHIPPING WEIGHT APPROX. 75 lb [34.2 kg].



THIRD ANGLE PROJECTION



THE INFORMATION CONTAINED HEREIN IS PROPRIETARY AND CONFIDENTIAL PROPERTY OF LOUD TECHNOLOGIES, INC. ALL RIGHTS RESERVED

UNLESS OTHERWISE SPECIFIED: ALL DIMENSIONS ARE IN INCHES DUAL [MM] DIMENSIONS FOR REF ONLY

TOLERANCE IN INCHES
LINEAR ± 0.13 in / ± 3.3 mm
ANGLES $\pm 1^\circ$

(X.XX) = REF DIMS
NO TOLERANCE IMPLIED

TSC = THEORETICAL SHARP CORNER
DIMENSIONS ACROSS CENTERLINES TO BE SYMMETRICAL

EAW www.eaw.com

TITLE:
DWG CUSTOMER VFR159
[MECHANICAL SPECIFICATION]

A

SHEET 1 OF 1

SCALE:
0.062

DRAWING NUMBER: 2037422-CD REVISION: A