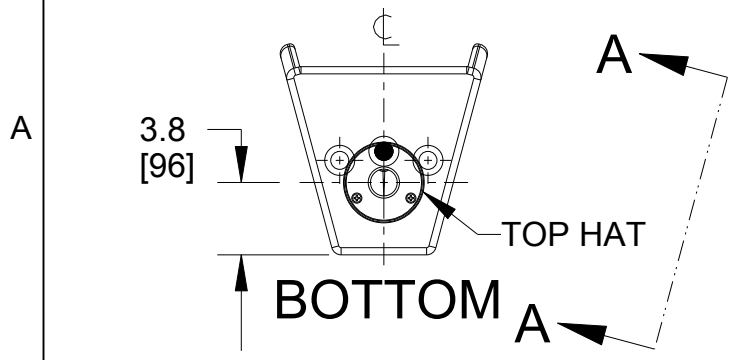
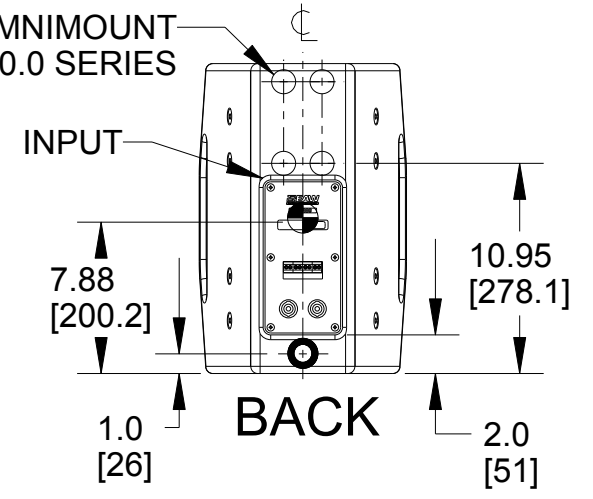
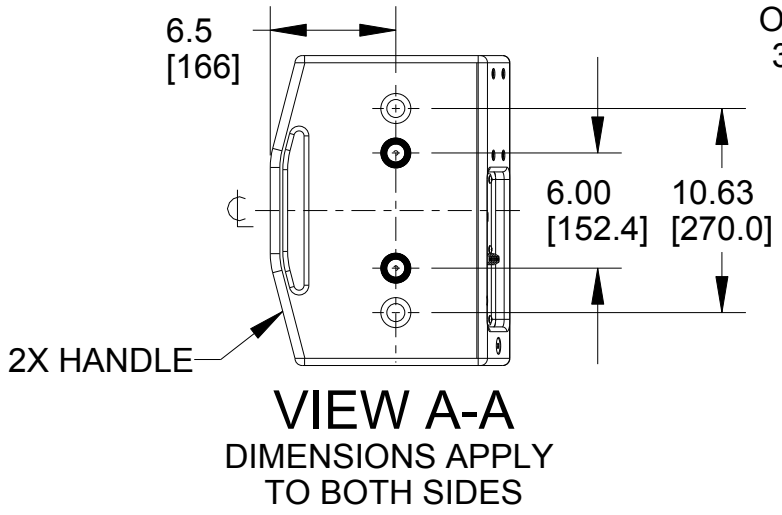
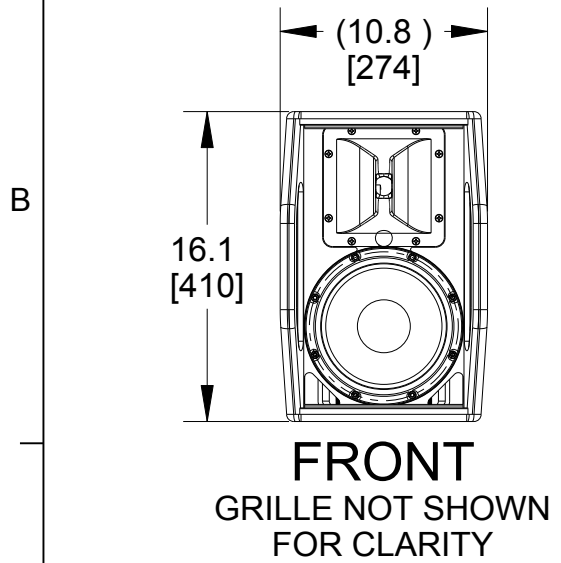
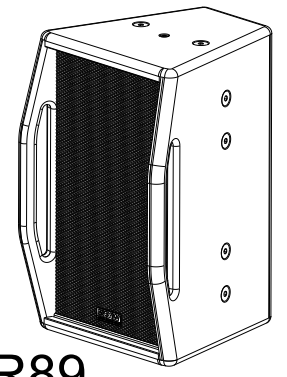


- NOTES:**
1. SYMBOL INDICATES CENTER OF BALANCE.
  2. SYMBOL INDICATES MOUNTING POINT, M10 THREADED HOLE (PI ANGLE).
  3. SYMBOL INDICATES MOUNTING POINT, M10 THREADED HOLE (RIVET T-NUT).
  4. SYMBOL INDICATES MOUNTING POINT, M6 THREADED HOLE FOR OMNIMOUNT 30.0 SERIES.
  5. SYMBOL INDICATES MOUNTING POINT, M6 THREADED HOLE.
  6. WEIGHT APPROX. 23 lb [10.4 kg].
  7. SHIPPING WEIGHT APPROX. 31 lb [13.8 kg].

REV	CHANGE NUMBER	DATE
A	ECOWHT8010	11/10/11



THIRD ANGLE PROJECTION

THE INFORMATION CONTAINED HEREIN IS PROPRIETARY AND CONFIDENTIAL PROPERTY OF LOUD TECHNOLOGIES, INC. ALL RIGHTS RESERVED

UNLESS OTHERWISE SPECIFIED: ALL DIMENSIONS ARE IN INCHES DUAL [MM] DIMENSIONS FOR REF ONLY

TOLERANCE IN INCHES  
 LINEAR ± 0.13 in / ± 3.3 mm  
 ANGLES ± 1°

(X.XX) = REF DIMS  
 NO TOLERANCE IMPLIED

TSC = THEORETICAL SHARP CORNER

DIMENSIONS ACROSS CENTERLINES TO BE SYMMETRICAL

**EAW** www.eaw.com

TITLE:  
**DWG CUSTOMER VFR89**  
**[MECHANICAL SPECIFICATION]**

<b>A</b>	SHEET 1 OF 1	SCALE: 0.100
DRAWING NUMBER: 2038115-CD		REVISION: A