



CE DECLARATION OF CONFORMITY

PRODUCT

Product Model:

ANNA Loudspeaker	p/n 2045429
ANNA Flybar	p/n 2046533
ADAPTive Distribution Rack	p/n 2041779 / 2042545
ADAPTive Distribution Flybar	p/n 2042596

Description:

Loudspeaker / Structural Accessory / Electrical Accessory

Dimensions (H X W X D):

ANNA Loudspeaker	287mm X 1016mm X 599mm 11.3in X 40.0in X 23.6in
ANNA Flybar	185mm X 1194mm X 513mm 7.3in X 47.0in X 20.2in
ADAPTive Distribution Rack	514mm X 541mm X 610mm 20.2in X 21.3in X 24.0in
ADAPTive Distribution Flybar	124mm X 531mm X 54mm 4.9in X 20.9in X 2.1in

Material:

ANNA Loudspeaker	Baltic Birch Plywood, Steel, Aluminum
ANNA Flybar	Steel
ADAPTive Distribution Rack	Baltic Birch Plywood, Steel
ADAPTive Distribution Flybar	Steel, Aluminum

Accessories:

ANNA Caster Pallet	p/n 2046532
ADAPTive Distribution Caster Pallet	p/n 2042482
ANNA Replacement Amplifier	p/n 2046448
ANNA Replacement Rigging	p/n 2046500 / 2046501

COUNTRY OF ORIGIN FOR THE PRODUCT AND COMPONENTS

Country of Origin:

ANNA Loudspeaker Assembly	United States
ANNA Loudspeaker Components	United States, Italy and China
ANNA Flybar	United States
ADAPTive Distribution Rack	United States and China
ADAPTive Distribution Flybar	United States
ANNA Caster Pallet	United States and China
ADAPTive Distribution Caster Pallet	United States and China
ANNA Replacement Amplifier	China
ANNA Replacement Rigging	United States and China



TECHNICAL SPECIFICATIONS

The ANNA Loudspeakers are to be suspended below the ANNA Flybar. The ADAPTive Distribution Racks are to be suspended below the ADAPTive Distribution Flybar. When used in accordance with the ANNA Owner's Manual and Resolution Software the Working Load Limits (WLL) and Design Factor are:

Nominal Weight of ANNA Loudspeaker	61.2 kg / 135 lb
Nominal Weight of ANNA Flybar	34.0 kg / 75 lb
Nominal Weight of ADAPTive Distribution Rack	50 kg / 110 lb
Nominal Weight of ADAPTive Distribution Flybar	2.3 kg / 5.0 lb
Weight Load Limit of ANNA Flybar (Single Pick Point, A)	975 kg / 2150 lb
Weight Load Limit of ANNA Flybar (Multiple Pick Points, B, C, D)	1159 kg / 2555 lb
Weight Load Limit of ADAPTive Distribution Flybar	340 kg / 750 lb
Ultimate Strength Design Factor	>10:1

STANDARDS CONFORMITY

The ANNA Loudspeakers are designed with the intent to be suspended only from the ANNA Flybar in accordance with the ANNA Owner's Manual and Resolution Software. When suspending an ANNA loudspeaker array by an ANNA Flybar, the flybar must be mounted to the top loudspeaker via the integrated proprietary rigging system, see Figure A. When using Pick Points "B", "C" or "D", up to eighteen (18) ANNA Loudspeakers may be vertically suspended in a column below the ANNA Flybar. When using Pick Point "A", up to fifteen (15) ANNA Loudspeakers may be vertically suspended in a column below the ANNA Flybar. Please see Figure B for Pick Point Locations. The total weight of the ANNA array must not exceed the Weight Load Limit of the integrated proprietary rigging system or that of the ANNA Flybar.

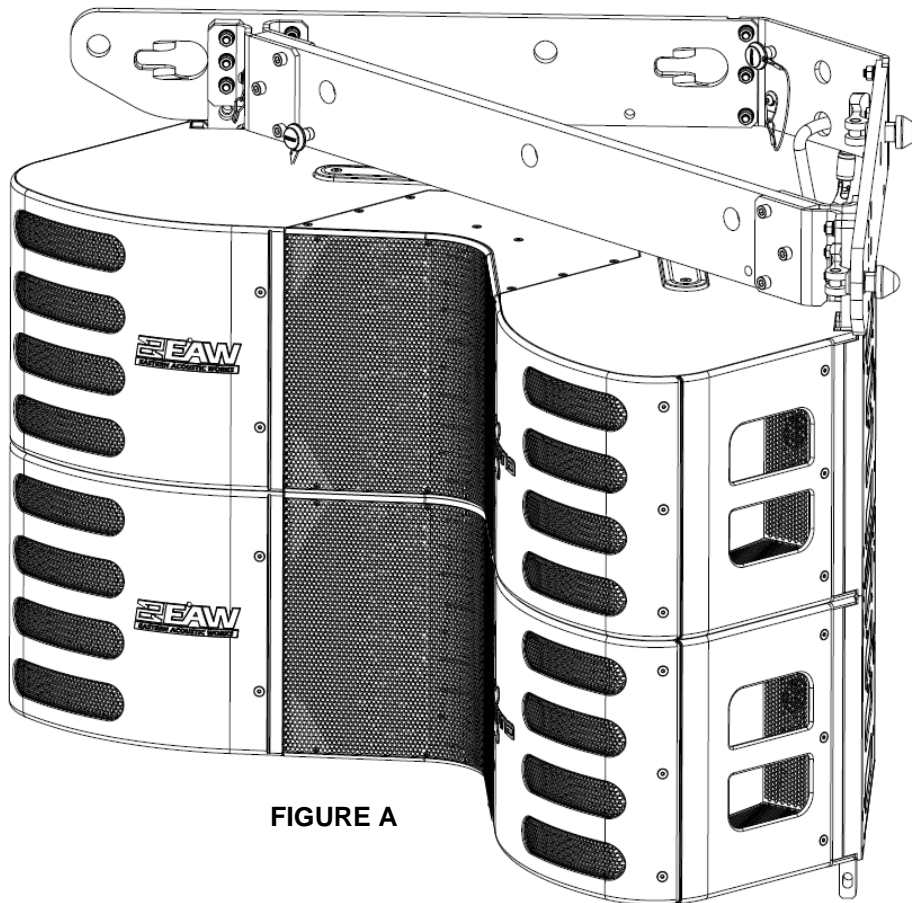
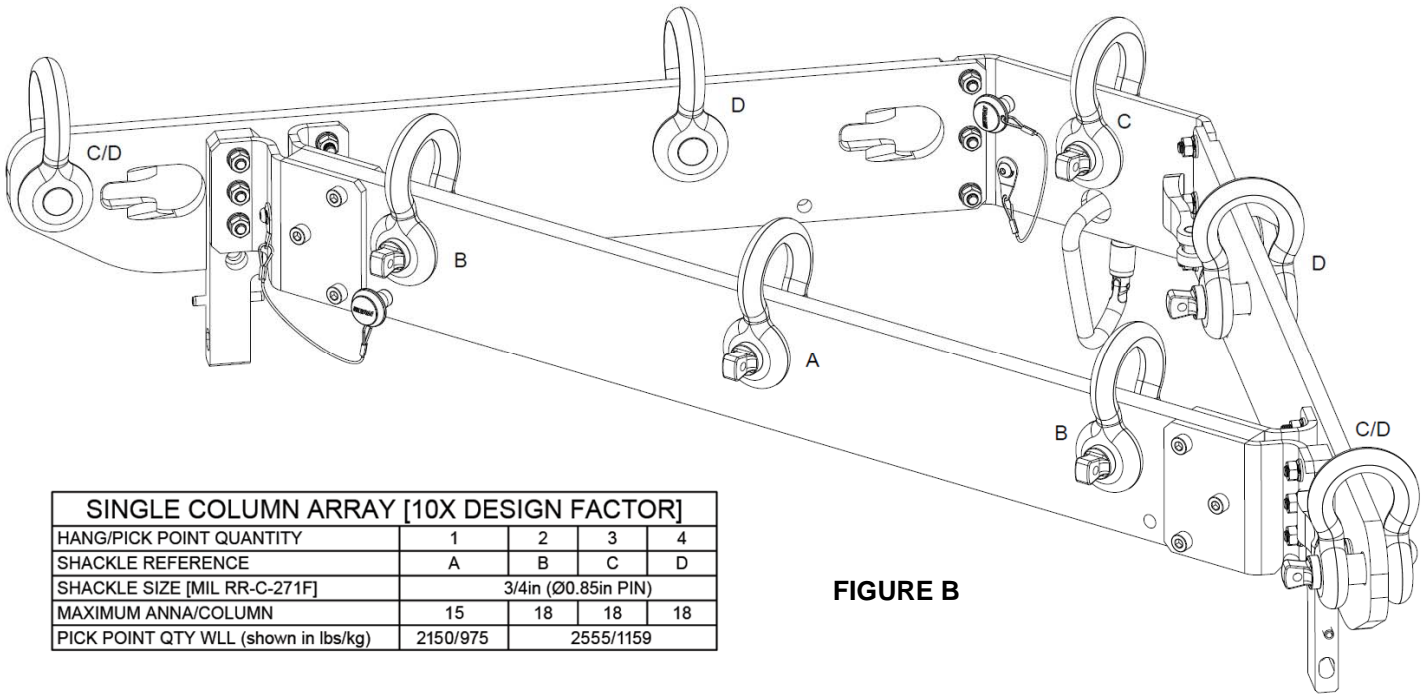


FIGURE A



SINGLE COLUMN ARRAY [10X DESIGN FACTOR]				
HANG/PICK POINT QUANTITY	1	2	3	4
SHACKLE REFERENCE	A	B	C	D
SHACKLE SIZE [MIL RR-C-271F]	3/4in (Ø0.85in PIN)			
MAXIMUM ANNA/COLUMN	15	18	18	18
PICK POINT QTY WLL (shown in lbs/kg)	2150/975		2555/1159	

FIGURE B

The ADAPTive Distribution Racks are designed with the intent to be suspended only from the ADAPTive Distribution Flybar in accordance with the ANNA Owner’s Manual. When suspending an ADAPTive Distribution Rack array by an ADAPTive Distribution Flybar, the flybar must be mounted to the top distribution rack via the integrated proprietary rigging system, see Figure C. Up to six (6) ADAPTive Distribution Racks may be vertically suspended in a column below the ADAPTive Distribution Flybar. The total weight of the ADAPTive Distribution Rack array must not exceed the Weight Load Limit of the integrated proprietary rigging system or that of the ADAPTive Distribution Flybar.

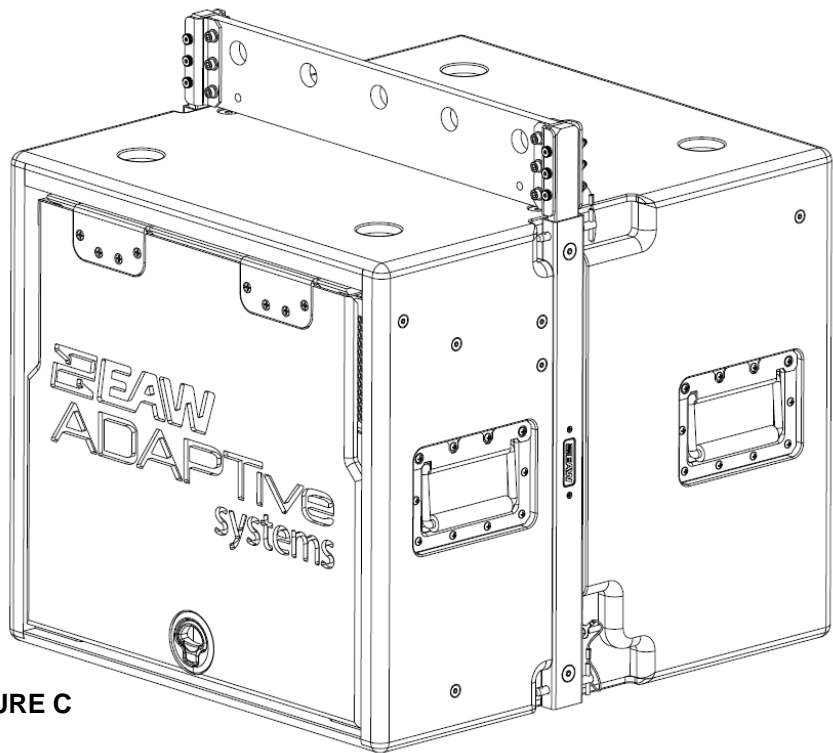


FIGURE C

The ultimate strength for the ANNA Loudspeaker, ANNA Flybar, ADAPTive Distribution Rack and ADAPTive Distribution Flybar were determined utilizing FEA software and/or calibrated, certified destructive pull-tests.



Loud Technologies, Inc., as the manufacturer, hereby certifies that, in their delivered versions, the ANNA G24 Loudspeaker System, ANNA Loudspeaker, ANNA Flybar, ADAPTive Distribution Rack, ADAPTive Distribution Flybar and ANNA Replacement Rigging comply with the provisions of the directives and standards listed below.

European Council Directives:

98/37/EEC

European Council Directive on Lifting Accessories

Rigging and lifting:

BGV-C1

German Standard for Lifting Accessories and Audio Rigging

DIN 56950

German Machinery Installation – Safety

European Council Directives:

2006/95/EC

Low Voltage Directive

2004/108/EC

EMC Directive, All applicable amendments

EMC:

EN55022:2010/AC:2011

Information technology equipment - Radio disturbance characteristics - Limits and methods of measurement

EN55103-1:2009/A1:2012

Electromagnetic compatibility - Product family standard for audio, video, audio-visual and entertainment lighting control apparatus for professional use - Part 1: Emissions

EN55103-2:2009

Electromagnetic compatibility - Product family standard for audio, video, audio-visual and entertainment lighting control apparatus for professional use - Part 2: Immunity

FCC Part 15 Subpart B

Emission standard for unintentional radiators

ICES-003 Issue 5

Emission standard for Information Technology Equipment (ITE) — Limits and methods of measurement.

Safety:

IEC 60065(ed.7), IEC 60065(ed.7);am1, IEC 60065(ed.7);am2

Audio, video and similar electronic apparatus: Safety Requirements

EN 60065:2002 / A1:2006 / A11:2008 / A2:2010 / A12:2011

Audio, video and similar electronic apparatus: Safety Requirements

CAN/CSA-C22.2 No. 60065-03, 1st Edition + A1:2006 + A2:2012

Audio, video and similar electronic apparatus: Safety Requirements

UL 60065, 7th Edition, 2013-07-24

Audio, video and similar electronic apparatus: Safety Requirements

This declaration becomes void in case of any changes to the product without written authorization by Loud Technologies Inc.

The Technical Report/File is maintained at:

LOUD Technologies Inc. Worldwide Headquarters

16220 Wood-Red Road NE

Woodinville, WA 98072, USA

Tel: +1 425 892 6500

Tel: +1 866 858 5832

Fax: +1 425 487 4337

E-mail: info@eaw.com



Authorized Representative:

A handwritten signature in black ink, appearing to read 'Case Kuehn', is written in a cursive style.

Case Kuehn
Chief Financial Officer
LOUD Technologies Inc.
Issued: October 2015