



CE DECLARATION OF CONFORMITY

PRODUCT

Product Model: EAW ACC Adapter Bracket QX (ACC-ABDX) p/n 2036437
 Description: ACC Adapter Bracket
 Dimensions (h x w x d): 3.89 in (98.9 mm) x 7.25 in (184.2 mm) x 1.87 in (47.5 mm)
 Material: SS
 Supplied Accessories:
 Accessories:

COUNTRY OF ORIGIN FOR THE PRODUCT AND COMPONENTS

United States of America

TECHNICAL SPECIFICATIONS

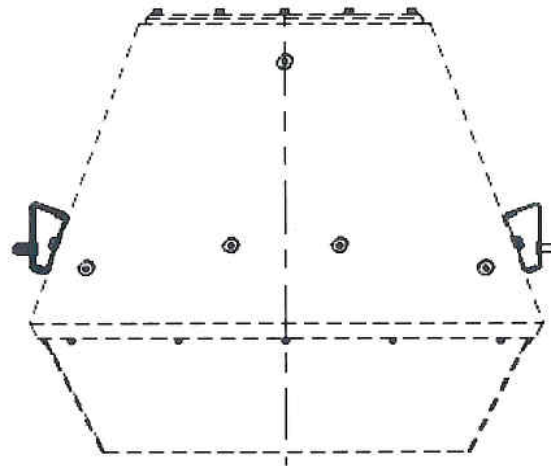
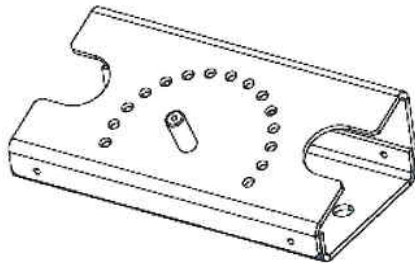
For the purposes of this declaration the ACC-ABQX adapter bracket is to be used to facilitate the hanging of QX5 and QX3 series loudspeakers. The Working Load Limits (WLL) and Design Factor are:

Nominal Weight of QX5i	134 lb (61 kg)
Nominal Weight of QX3	94 lb (43 kg)
WLL (adapter bracket)	165 lb (74.8 kg) per pair of brackets
Ultimate Strength Design Factor	>10:1

STANDARDS CONFORMITY

The ACC-ABQX adapter brackets are shipped as pairs and must be used as a pair for proper loading. The ACC-ABQX adapter brackets are designed to support a single QX loudspeaker.

The ultimate strength for the ACC-ABQX adapter bracket was determined utilizing a combination of detailed Finite Element Analysis and calibrated, certified destructive pull-tests.





Eastern Acoustic Works, as the manufacturer, hereby certifies that, in their delivered versions,
The ACC-ABQX adapter brackets comply with the provisions of the directives and standards listed below.

ANSI E1.8 – 2005 – Entertainment Technology Loudspeaker Enclosures Intended for Overhead Suspension
– Classification, Manufacture and Structural Testing
BGV-C1: (German Standard for Lifting Accessories and Audio Rigging)
DIN 56950 (German Machinery Installation – Safety)

The Technical Report/File is maintained at:
LOUD Technologies Inc. Worldwide Headquarters
16220 Wood-Red Road NE
Woodinville, WA 98072 USA
Tel: +1 425 892 6500
Tel: +1 866 858 5832
Fax: +1 425 487 4337
e-mail: info@eaw.com

Authorized Representative:

A handwritten signature in black ink, appearing to read 'Chris Miller', is written over a horizontal line.

Compliance Manager
LOUD Technologies Inc.
Issued: December, 2013