



CE DECLARATION OF CONFORMITY

PRODUCT

Product Model:

UBKT-V6U U-Bracket	p/n 2039420-90
	p/n 2039421-90
UBKT-V8U U-Bracket	p/n 2039250-90
	p/n 2039251-90
UBKT-V10U U-Bracket	p/n 2038756-90
	p/n 2039218-90
UBKT-V12U U-Bracket	p/n 2038746-90
	p/n 2039033-90
UBKT-V15U U-Bracket	p/n 2038546-90
	p/n 2039032-90

Description: U-Bracket

Dimensions (H X W X D):

UBKT-V6U U-Bracket	447.6mm X 247.7mm X 118.6mm 17.62in X 9.75in X 4.67in
UBKT-V8U U-Bracket	482.7mm X 270.1mm X 118.6mm 19.00in X 10.63in X 4.67in
UBKT-V10U U-Bracket	578.5mm X 301.8mm X 118.6mm 22.78in X 11.88in X 4.67in
UBKT-V12U U-Bracket	744.3mm X 369.0mm X 156.7mm 29.30in X 14.53in X 6.17in
UBKT-V15U U-Bracket	805.4mm X 375.3mm X 156.7mm 31.71in X 14.78in X 6.17in

Material:

U-Brackets Steel

COUNTRY OF ORIGIN FOR THE PRODUCT AND COMPONENTS

Country of Origin: China



TECHNICAL SPECIFICATIONS

The VFR69i loudspeaker is to be suspended with the UBKT-V6U U-Bracket.
The VFR89i loudspeaker is to be suspended with the UBKT-V8U U-Bracket.
The VFR109i loudspeaker is to be suspended with the UBKT-V10U U-Bracket.
The VFR129i loudspeaker is to be suspended with the UBKT-V12U U-Bracket.
The VFR159i loudspeaker is to be suspended with the UBKT-V15U U-Bracket.

When used in accordance with the Generic Cab Owner's Manual and Accessory Installation Instructions the Working Load Limits (WLL) and Design Factor are:

Nominal Weight of VFR69i Loudspeaker	6.8 kg / 15 lb
Nominal Weight of VFR89i Loudspeaker	10.0 kg / 22 lb
Nominal Weight of VFR109i Loudspeaker	16.8 kg / 37 lb
Nominal Weight of VFR129i Loudspeaker	24.5 kg / 54 lb
Nominal Weight of VFR159i Loudspeaker	26.3 kg / 58 lb
Nominal Weight of UBKT-V6U U-Bracket	3.1 kg / 6.8 lb
Nominal Weight of UBKT-V8U U-Bracket	3.5 kg / 7.8 lb
Nominal Weight of UBKT-V10U U-Bracket	4.1 kg / 9.0 lb
Nominal Weight of UBKT-V12U U-Bracket	6.7 kg / 14.8 lb
Nominal Weight of UBKT-V15U U-Bracket	7.1 kg / 15.6 lb
Weight Load Limit of UBKT-V6U U-Bracket	7.3 kg / 16.0 lb
Weight Load Limit of UBKT-V8U U-Bracket	10.4 kg / 23.0 lb
Weight Load Limit of UBKT-V10U U-Bracket	17.7 kg / 39.0 lb
Weight Load Limit of UBKT-V12U U-Bracket	25.4 kg / 56.0 lb
Weight Load Limit of UBKT-V15U U-Bracket	27.2 kg / 60.0 lb
Ultimate Strength Design Factor	>10:1



STANDARDS CONFORMITY

The VFR69i loudspeaker is to be suspended with the UBKT-V6U U-Bracket in accordance with the Generic Cab Owner's Manual and Accessory Installation Instructions.

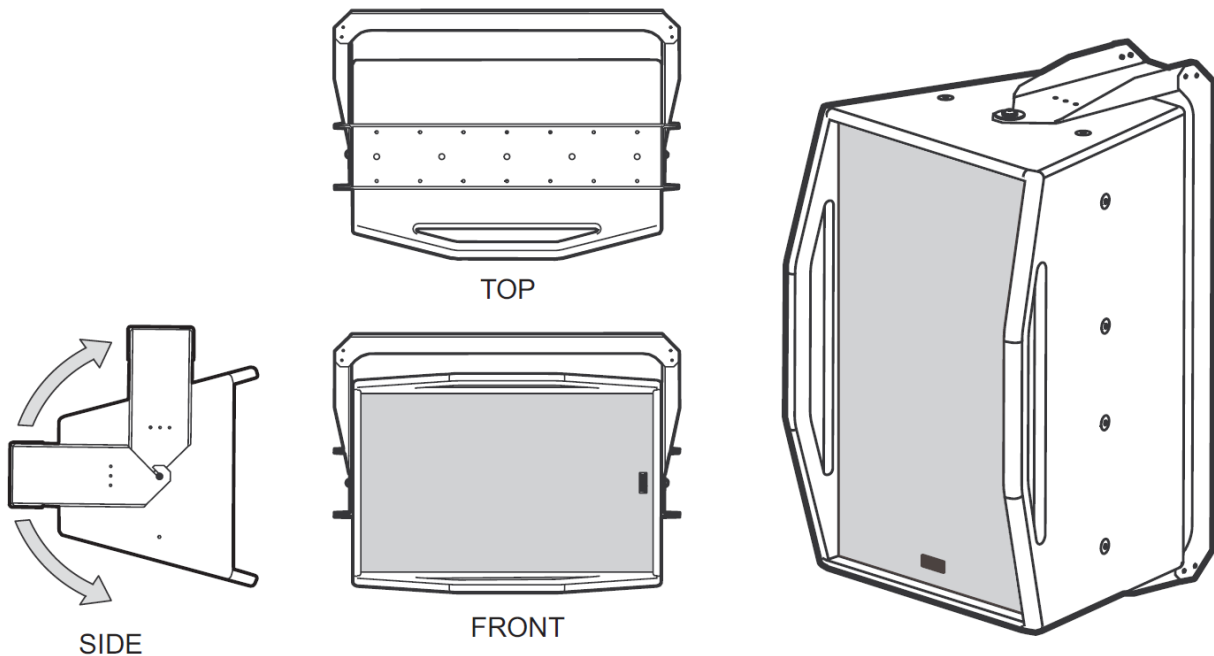
The VFR89i loudspeaker is to be suspended with the UBKT-V8U U-Bracket in accordance with the Generic Cab Owner's Manual and Accessory Installation Instructions.

The VFR109i loudspeaker is to be suspended with the UBKT-V10U U-Bracket in accordance with the Generic Cab Owner's Manual and Accessory Installation Instructions.

The VFR129i loudspeaker is to be suspended with the UBKT-V12U U-Bracket in accordance with the Generic Cab Owner's Manual and Accessory Installation Instructions.

The VFR159i loudspeaker is to be suspended with the UBKT-V15U U-Bracket in accordance with the Generic Cab Owner's Manual and Accessory Installation Instructions.

When suspending a single VFRi loudspeaker with the appropriate model u-bracket as listed above, the u-bracket must be installed to the center M6 mounting point on the top and bottom of the loudspeaker. The u-bracket may be mounted horizontally, vertically or hanging. See below for acceptable loudspeaker mounting locations and suggested u-bracket mounting orientations.



Loudspeakers must not be suspended from other loudspeakers in any way.

The ultimate strength for the UBKT-V6U U-Bracket, UBKT-V8U U-Bracket, UBKT-V10U U-Bracket, UBKT-V12U U-Bracket and UBKT-V15U U-Bracket were determined utilizing FEA software and/or calibrated, certified destructive pull-tests.



Loud Technologies, Inc., as the manufacturer, hereby certifies that, in their delivered versions, the UBKT-V6U, UBKT-V8U, UBKT-V10U, UBKT-V12U, and UBKT-V15U U-Brackets comply with the provisions of the directives and standards listed below.

European Council Directives:

98/37/EC, European Council Directive on Lifting Accessories

Rigging and lifting:

BGV-C1, German Standard for Lifting Accessories and Audio Rigging

DIN 56950, German Machinery Installation – Safety

ANSI E1.8 – 2005, Entertainment Tech. Loudspeaker Enclosures Intended for Overhead Suspension

This declaration becomes void in case of any changes to the product without written authorization by Loud Technologies Inc.

The Technical Report/File is maintained at:

LOUD Technologies Inc. Worldwide Headquarters

16220 Wood-Red Road NE

Woodinville, WA 98072, USA

Tel: +1 425 892 6500

Tel: +1 866 858 5832

Fax: +1 425 487 4337

E-mail: info@eaw.com

Authorized Representative:

A handwritten signature in blue ink that reads "Case Kuehn".

Case Kuehn
Chief Financial Officer
LOUD Technologies Inc.
Issued: June 2014