



CE DECLARATION OF CONFORMITY

PRODUCT

Product Model: AB7473 p/n 0032870

Description: EAW ADAPTER BAR KF740 to KF730 [AB7473]

Dimensions (h x w x d): 3.00" x 41.17" x 19.75"

Material: Steel

Supplied Accessories: Connecting Pin .38" x 1.45" Large Button, 6" lanyard p/n 0020558-02

Accessories: N/A

COUNTRY OF ORIGIN FOR THE PRODUCT AND COMPONENTS

United States of America

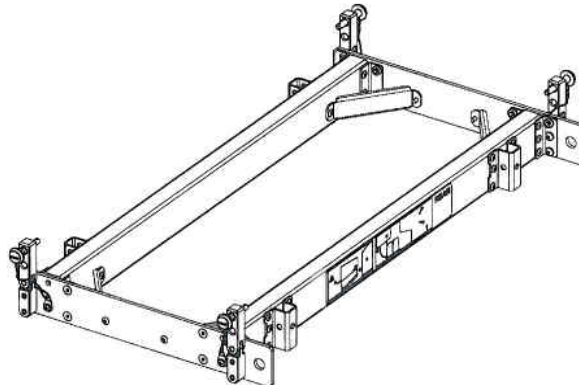
TECHNICAL SPECIFICATIONS

The Adapter Bar KF740 to KF730 is designed and intended for use only with the KF740 and KF730 products in accordance with the KF730 & SB730 Loudspeaker Owner's Manual, and Installation Instructions AB7473 Adapter Bar.

The KF740/KF730 array must utilize the KF740 Fly Bar at the top of the array, followed by the KF740 enclosures, the AB7473 Adapter Bar, and KF730 enclosures. The WLL of the KF740 Fly Bar must not be exceeded with the addition of the AB7473 Adapter Bar and KF730 enclosures. A maximum of six (6) KF730s may be hung in succession below the AB7473 Adapter Bar. The minimum design factor and Working Load Limit of the Adapter Bar are provided in the table below. This data is applicable only when the Adapter Bar is used in the manner described in the user's manual, and may be superseded by WLL documentation of other components within the array.

Nominal Adapter Bar Weight	17 kg / 38 lb
Nominal KF730 Weight	35 kg / 77 lb
AB7473 WLL	295 kg / 650 lb
Ultimate Strength Design Factor	> 10:1

The ultimate strength for the AB7473 Adapter Bar was determined utilizing calibrated and certified destructive pull tests.





Eastern Acoustic Works, as the manufacturer, hereby certifies that, in their delivered versions,
The AB7473 Adapter Bar complies with the provisions of the directives and standards listed below.

European Council Directive on Lifting Accessories, 98/37/EEC
BGV-C1: (German Standard for Lifting Accessories and Audio Rigging)
DIN 56950 (German Machinery Installation – Safety)

The Technical Report/File is maintained at:
LOUD Technologies Inc. Worldwide Headquarters
16220 Wood-Red Road NE
Woodinville, WA 98072 USA
Tel: +1 425 892 6500
Tel: +1 866 858 5832
Fax: +1 425 487 4337
e-mail: info@eaw.com

Authorized Representative:

A handwritten signature in black ink, appearing to read 'Carol White', is written over a light gray horizontal line.

Chief Financial Officer
LOUD Technologies Inc.
Issued: September 2012