



CE DECLARATION OF CONFORMITY

PRODUCT

Product Model:

RSX208L Loudspeaker	p/n 2047570-90
RSX18 Loudspeaker	p/n 2047597-90
RSX12 Loudspeaker	p/n 2047584-90
RSX129 Loudspeaker	p/n 2047564-90
RSX126 Loudspeaker	p/n 2047553-90
RSX89 Loudspeaker	p/n 2047536-90
RSX86 Loudspeaker	p/n 2047528-90
RSX12M Loudspeaker	p/n 2047581-90

Description: Loudspeaker / Structural Accessory

Dimensions (H X W X D):

RSX208L Loudspeaker	248.9mm X 683.0mm X 332.7mm 9.80in X 26.89in X 13.10in
RSX18 Loudspeaker	522.7mm X 919.8mm X 790.7mm 20.58in X 36.21in X 31.13in
RSX12 Loudspeaker	436.8mm X 683.0mm X 595.0mm 17.20in X 26.89in X 23.43in
RSX129 Loudspeaker	690.0mm X 414.0mm X 419.0mm 27.17in X 16.30in X 16.50in
RSX126 Loudspeaker	690.0mm X 414.0mm X 419.0mm 27.17in X 16.30in X 16.50in
RSX89 Loudspeaker	505.0mm X 315.0mm X 326.0mm 19.88in X 12.40in X 12.83in
RSX86 Loudspeaker	505.0mm X 315.0mm X 326.0mm 19.88in X 12.40in X 12.83in
RSX12M Loudspeaker	333.0mm X 489.0mm X 501.0mm 13.1in X 19.2in X 19.7in

Material:

RSX208L Loudspeaker	Plywood, Steel, Aluminum
RSX18 Loudspeaker	Plywood, Steel, Aluminum
RSX12 Loudspeaker	Plywood, Steel, Aluminum
RSX129 Loudspeaker	Plywood, Steel, Aluminum
RSX126 Loudspeaker	Plywood, Steel, Aluminum
RSX89 Loudspeaker	Plywood, Steel, Aluminum
RSX86 Loudspeaker	Plywood, Steel, Aluminum
RSX12M Loudspeaker	Plywood, Steel, Aluminum

Supplied Accessories: Locking Quick Release Pin* p/n 2046978
**Accessories only supplied for RS208L and RSX12 models.*

Accessories:

RSX12X U-Bracket	p/n 2047697-90
RSX8X U-Bracket	p/n 2047698-90
FBX100 Flybar	p/n 2047169-00
PA-A2 Eyebolt Kit	p/n 0028272



COUNTRY OF ORIGIN FOR THE PRODUCT AND COMPONENTS

Country of Origin:

RSX208L Loudspeaker	China
RSX18 Loudspeaker	China
RSX12 Loudspeaker	China
RSX129 Loudspeaker	China
RSX126 Loudspeaker	China
RSX89 Loudspeaker	China
RSX86 Loudspeaker	China
RSX12M Loudspeaker	China
RSX12X U-Bracket	China
RSX8X U-Bracket	China
FBX100 Flybar	China
PA-A2 Eyebolt Kit	China

TECHNICAL SPECIFICATIONS

The RSX208L and RSX12 Loudspeakers are to be suspended below the FBX100 Flybar. When used in accordance with the RADIUS Owner’s Manual and Resolution Software the Working Load Limits (WLL) and Design Factor are:

Nominal Weight of RSX208L Loudspeaker	18.4 kg / 40.5 lb
Nominal Weight of RSX12 Loudspeaker	34.5 kg / 76.0 lb
Nominal Weight of FBX100 Flybar	16.3 kg / 36.0 lb
Weight Load Limit of FBX100 Flybar (Hang Points 1-8)	165.0 kg / 365.0 lb
Weight Load Limit of FBX100 Flybar (Hang Point 9)	145.0 kg / 320.0 lb
Weight Load Limit of FBX100 Flybar (Hang Point 10)	127.0 kg / 280.0 lb
Weight Load Limit of FBX100 Flybar (Hang Point 11)	118.0 kg / 260.0 lb
Ultimate Strength Design Factor	>10:1

The RSX129, RSX126, RSX89, and RSX86 Loudspeakers are designed with the intent to be suspended from the RSX12X U-Bracket, RSX8X U-Bracket or the PA-A2 Eyebolt kit.

Nominal Weight of RSX129 Loudspeaker	26.3 kg / 58.0 lb
Nominal Weight of RSX126 Loudspeaker	26.3 kg / 58.0 lb
Nominal Weight of RSX89 Loudspeaker	15.1 kg / 33.6 lb
Nominal Weight of RSX86 Loudspeaker	15.1 kg / 33.6 lb
Nominal Weight of RSX12X U-Bracket	8.2 kg / 18.0 lb
Nominal Weight of RSX8X U-Bracket	5.0 kg / 10.8 lb
Weight Load Limit of RSX12X U-Bracket	27.2 kg / 60.0 lb
Weight Load Limit of RSX8X U-Bracket	17.7 kg / 39.0 lb
Ultimate Strength Design Factor	>10:1

STANDARDS CONFORMITY

The RSX208L and RSX12 Loudspeakers are designed with the intent to be suspended only from the FBX100 Flybar in accordance with the RADIUS Owner's Manual and Resolution Software. When suspending an RSX208L/RSX12 loudspeaker array by an FBX100 Flybar, the Flybar must be mounted to the top loudspeaker via the integrated proprietary rigging system.

- When using Hang Points "1" through "8", up to eight (8) RSX208L, four (4) RSX12 or a mix of RSX208L and RSX12 Loudspeakers not exceeding 365lb [165kg] may be vertically suspended in a column below the FBX100 Flybar.
- When using Hang Point "9", up to seven (7) RSX208L, three (3) RSX12 or a mix of RSX208L and RSX12 Loudspeakers not exceeding 320lb [145kg] may be vertically suspended in a column below the FBX100 Flybar.
- When using Hang Point "10", up to six (6) RSX208L, three (3) RSX12 or a mix of RSX208L and RSX12 Loudspeakers not exceeding 280lb [127kg] may be vertically suspended in a column below the FBX100 Flybar.
- When using Hang Point "11", up to five (5) RSX208L, two (2) RSX12 or a mix of RSX208L and RSX12 Loudspeakers not exceeding 260lb [118kg] may be vertically suspended in a column below the FBX100 Flybar.

See Figure A for Hang Point locations. The total weight of the RADIUS array must not exceed the Weight Load Limit of the integrated proprietary rigging system or that of the FBX100 Flybar.

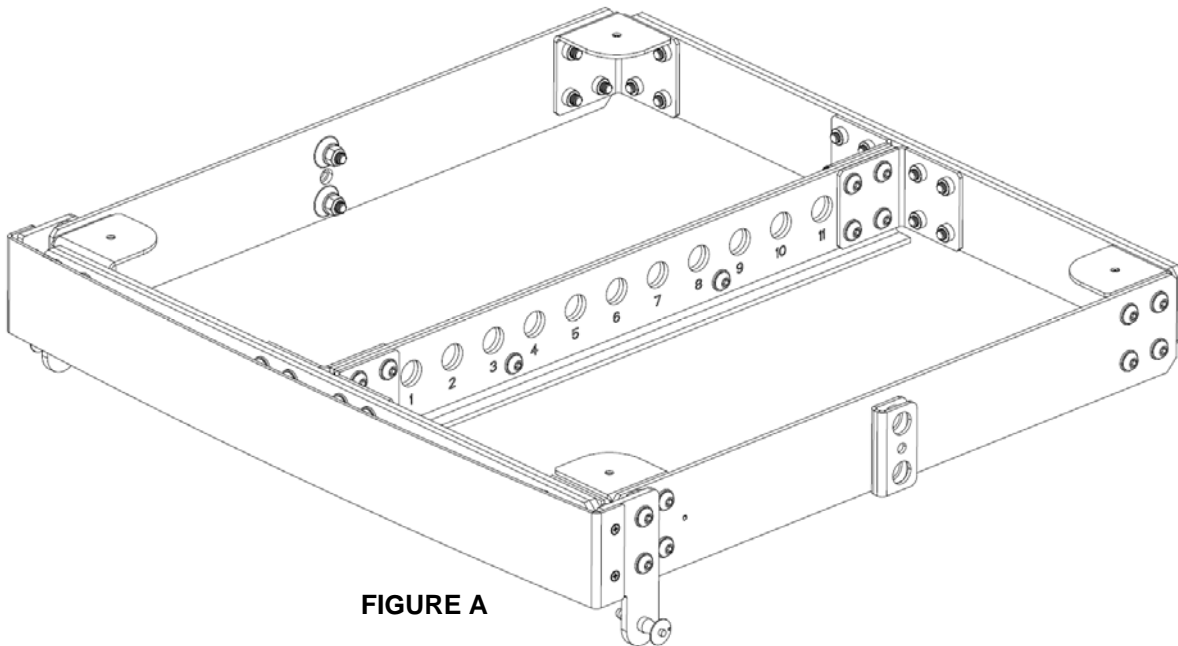


FIGURE A

HANG POINT WORKING LOAD LIMIT (10X DESIGN FACTOR)

HANG POINT	1-8	9	10	11
MAXIMUM RSX208L	8X RSX208L	7X RSX208L	6X RSX208L	5X RSX208L
MAXIMUM RSX12	4X RSX12	3X RSX12	3X RSX12	2X RSX12
HANG POINT WLL	365lb [165kg]	320lb [145kg]	280lb [127kg]	260lb [118kg]

FIGURE B



The RSX8X and RSX12X U-Brackets were designed with the intent to suspend a single RSX129, RSX126, RSX89, or RSX86 Loudspeaker. When suspending an RSX129, RSX126, RSX89, or RSX86 Loudspeaker horizontally, be sure the RSX12X or RSX8X U-Bracket is mounted in the correct orientation with the mounting slot facing upward. Consult the RSX129, RSX126, RSX89, or RSX86 user manual for full instructions on how to properly mount the loudspeaker with U-Bracket. See Figures C, D and E for acceptable u-bracket mounting orientations.

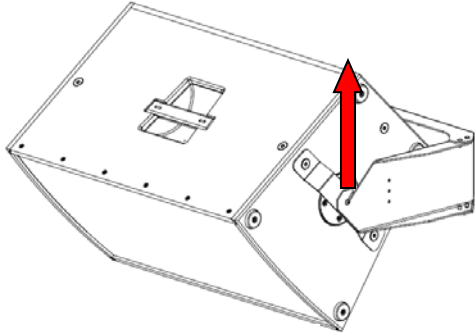


FIGURE C

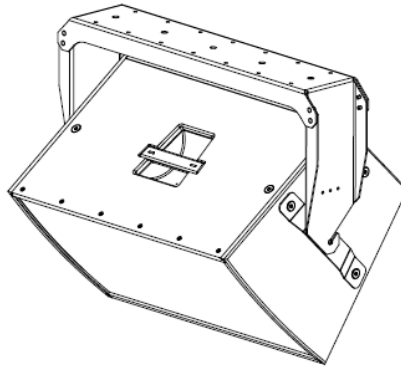


FIGURE D

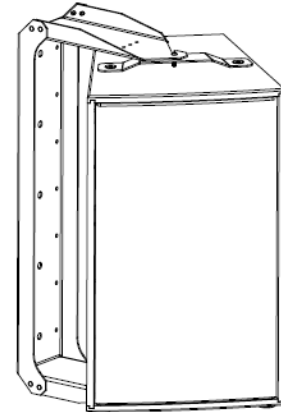


FIGURE E

The ultimate strengths for the Radius Loudspeakers, Locking Quick Release Pin, FBX100 Flybar and RSX U-Brackets were determined utilizing FEA software and/or calibrated, certified destructive pull-tests.



Loud Technologies, Inc., as the manufacturer, hereby certifies that, in their delivered versions, the RSX208L Loudspeaker, RSX18 Loudspeaker, RSX12 Loudspeaker, RSX129 Loudspeaker, RSX126 Loudspeaker, RSX89 Loudspeaker, RSX86 Loudspeaker, RSX12M Loudspeaker, and FBX100 Flybar comply with the provisions of the directives and standards listed below.

European Council Directives:

2006/42/EC, European Parliament and of the Council on machinery

Rigging and lifting:

BGV-C1: (German Standard for Lifting Accessories and Audio Rigging)
DIN 56950 (German Machinery Installation – Safety)

European Council Directives:

2014/35/EU (Low Voltage Directive)
2014/30/EU (EMC Directive) All applicable amendments
2011/65/EU (RoHS Directive)

EMC:

EN55032:2012 Class A
EN61000-3-2:2014
EN61000-3-3:2013
EN55103-2:2009

Safety:

IEC60065 (ed.7) + am1 + am2
EN60065:2002+A1:2006+A11:2008+A2:2010+A12:2011
CB Ref. Certif. No. US-27775-A1-UL

This declaration becomes void in case of any changes to the product without written authorization by Loud Technologies Inc.

The Technical Report/File is maintained at:

LOUD Technologies Inc. Worldwide Headquarters
16220 Wood-Red Road NE
Woodinville, WA 98072, USA
Tel: +1 425 892 6500
Tel: +1 866 858 5832
Fax: +1 425 487 4337
E-mail: info@eaw.com

Authorized Representative:

Case Kuehn
Chief Financial Officer
LOUD Technologies Inc.
Issued: July 2016