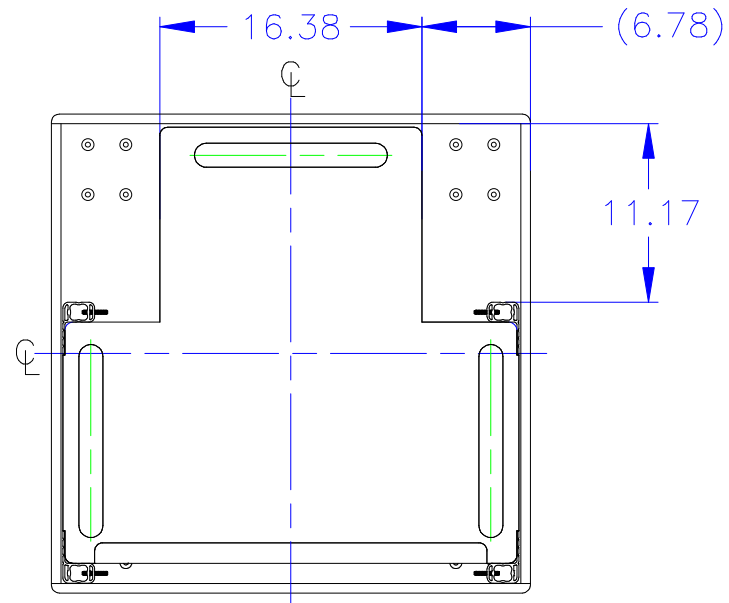
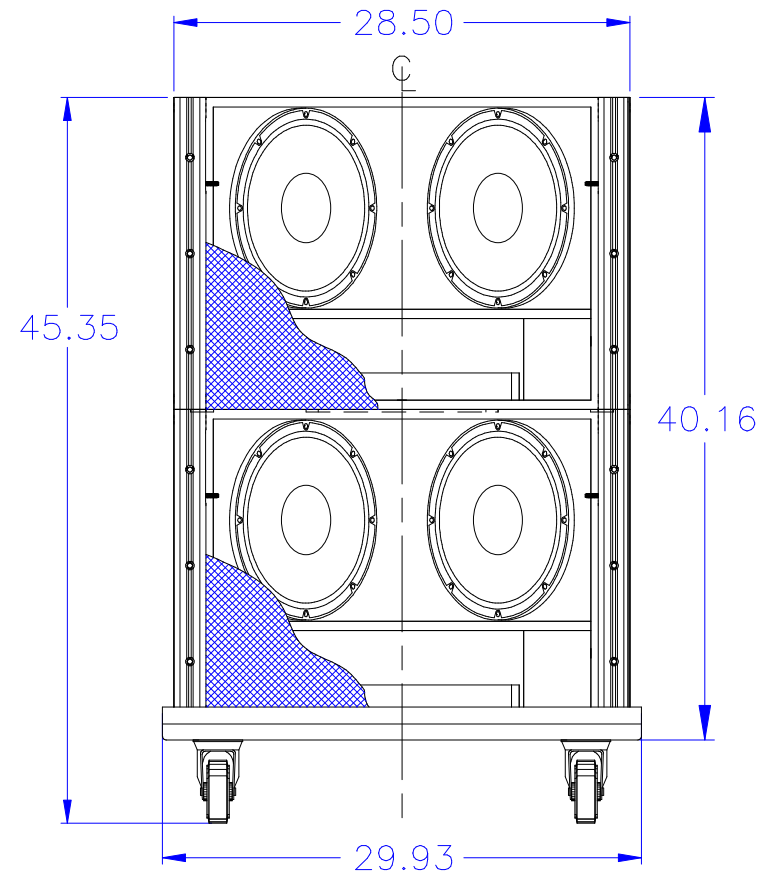


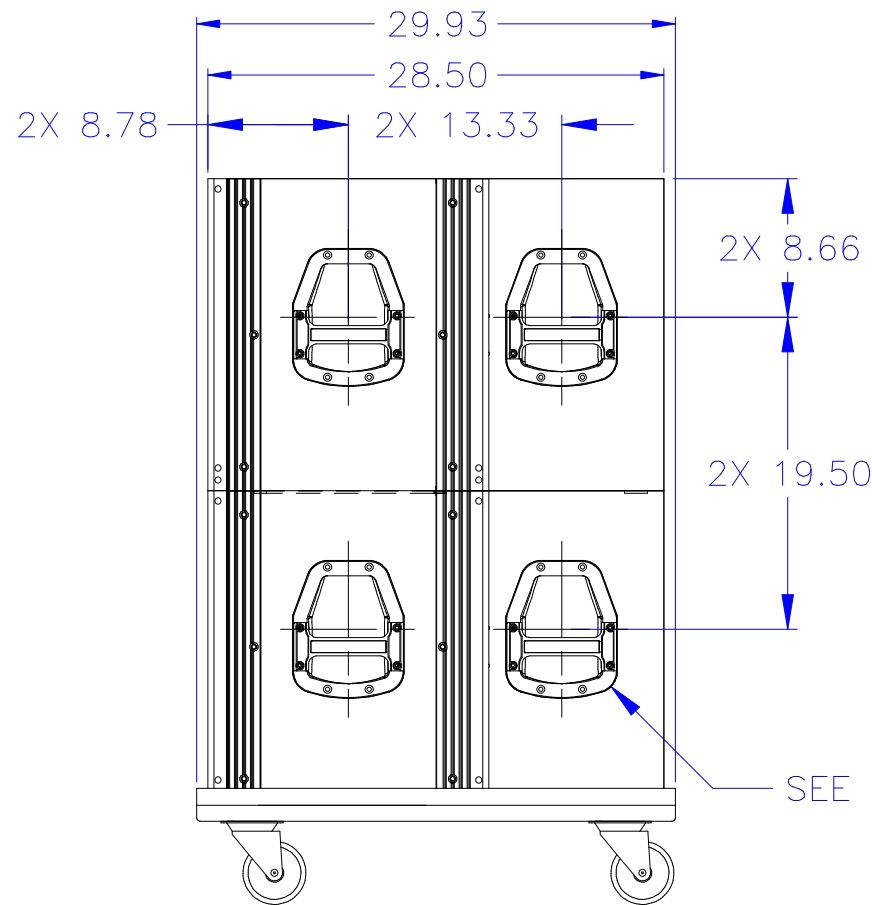
REV	DESCRIPTION	APVD/DATE
1	NEW ISSUE PER DSR #03-658 MELANIE 5/23/03	RS 5/23/03
2	ADDED TOP VIEW, DETAIL A, AND DIMS 2X 8.78, 2X 13.33, 2X 8.66, AND 2X 19.50 PER DSR #03-770 MELANIE 6/16/03	RS 6/19/03



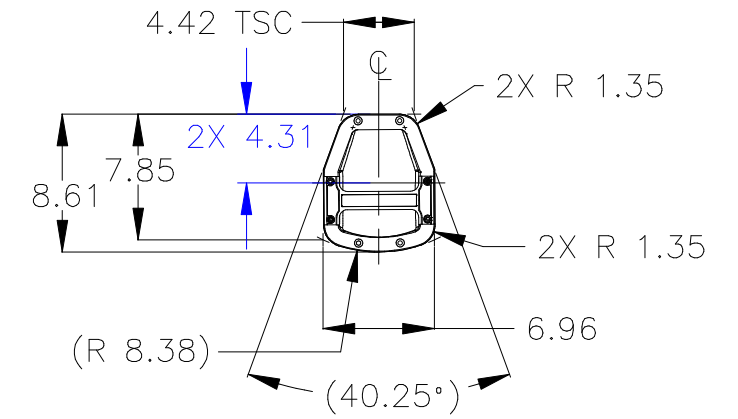
TOP



FRONT/BACK



RIGHT SIDE  
DIMENSIONS APPLY TO BOTH SIDES



DETAIL A  
8X HANDLE

DOCUMENT CONTROL PER SPECIFICATION 4.5.201

THIRD ANGLE PROJECTION 	UNLESS OTHERWISE SPECIFIED: ALL DIMENSIONS ARE IN INCHES  TOLERANCE IN INCHES .X ± .1    .XX ± .03    .XXX ± .010 FRACTIONS ±1/32 ANGLES ±1/2°  (X.XX) = REF DIMS NO TOLERANCE IMPLIED T.S.C.=THEORETICAL SHARP CORNER DIMENSIONS ACROSS CENTERLINES TO BE SYMMETRICAL	STATUS: <b>PROTOTYPE</b>		EASTERN ACOUSTIC WORKS ONE MAIN STREET WHITINSVILLE, MA 01588 USA	
		APPROVALS	DATE		TITLE: <b>SB730 FACE PALLET STACK</b>
THIS DRAWING IS THE PROPERTY OF EAW AND SHALL NOT BE COPIED, REPRODUCED, OR USED AS THE BASIS FOR MANUFACTURE OR SALE OF APPARATUS WITHOUT WRITTEN AUTHORIZATION. DO NOT SCALE DRAWING.		DRAWN: MELANIE	5/23/03	<b>B</b> SHEET 1 OF 1	SCALE: 1 TO 8
		CHECKED:		DRAWING NUMBER: SK001470	REVISION: 2
		DES ENG:			
		MFG ENG:			