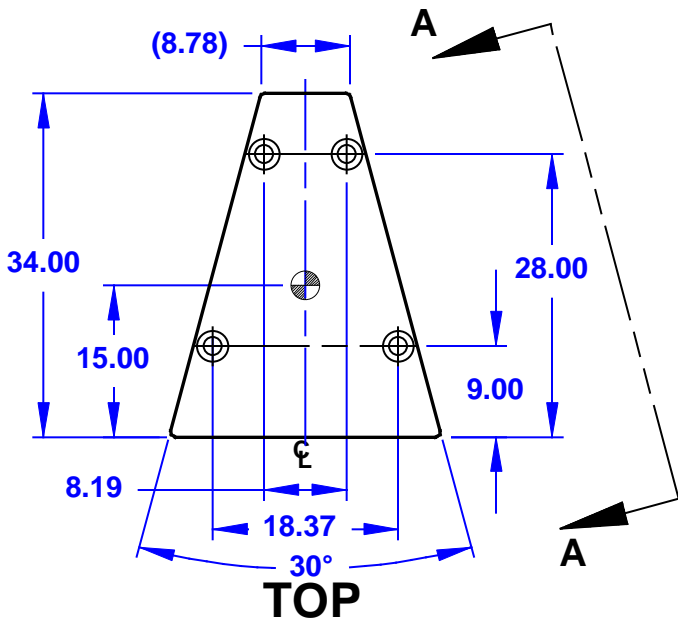


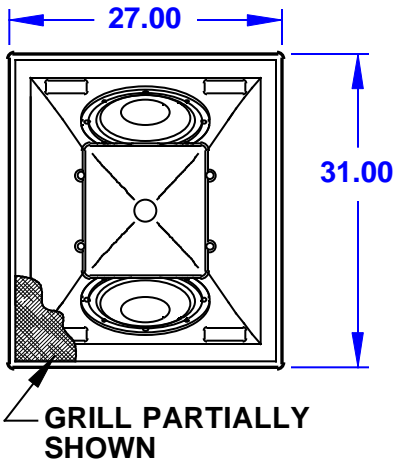
REV	DESCRIPTION	APVD/DATE
0	UPDATE TO PRODUCTION PER DSR 99-701 ML 5/28/98	KFH 5/28/98
A	ORACLE REVISION CONVERSION DRAWING WAS REVISION 0 UPDATED PER ECO#5151 JH 7/25/01	SS 7/30/01



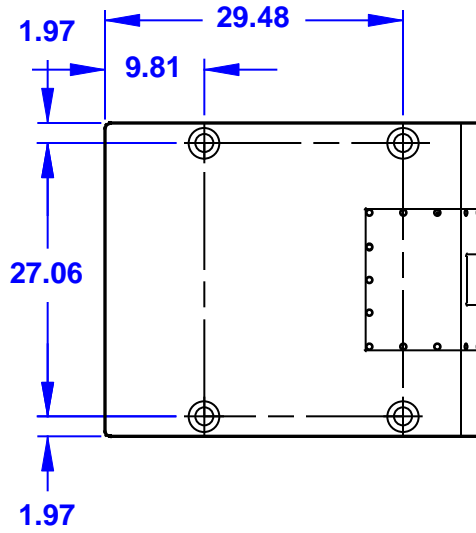
NOTES:

1. SYMBOL INDICATES CENTER OF BALANCE.
2. SYMBOL INDICATES 3/8-16 THREADED MOUNTING POINTS.
3. WEIGHT APPROX: 187 LBS.
4. SHIPPING WEIGHT APPROX: 200 LBS.

DIMENSIONS APPLY TO TOP AND BOTTOM

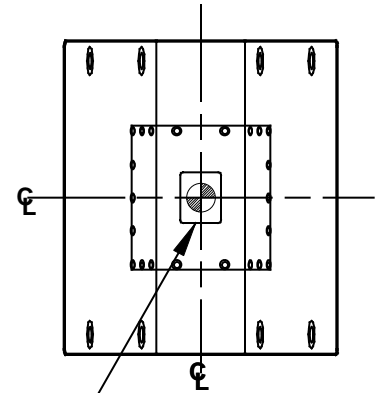


FRONT

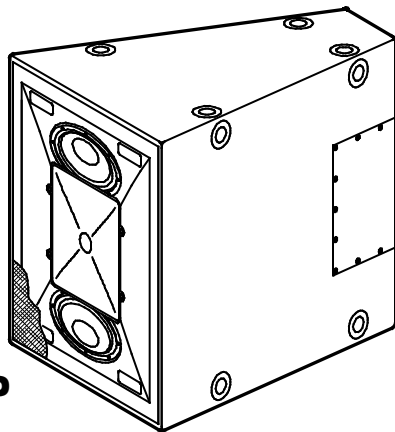


VIEW A-A

DIMENSIONS APPLY TO BOTH SIDES



BACK



KF750P

DOCUMENT CONTROL PER SPECIFICATION 4.5.20*

<p>THIRD ANGLE PROJECTION</p>	<p>UNLESS OTHERWISE SPECIFIED: ALL DIMENSIONS ARE IN INCHES</p> <p>TOLERANCE IN INCHES .XX ± .13 ANGLES ±1°</p> <p>(X.XX) = REF DIMS NO TOLERANCE IMPLIED</p> <p>T.S.C.=THEORETICAL SHARP CORNER</p> <p>DIMENSIONS ACROSS CENTERLINES TO BE SYMMETRICAL</p>	STATUS: PRODUCTION		EASTERN ACOUSTIC WORK ONE MAIN STREET WHITINSVILLE, MA 01588 US	
		APPROVALS	DATE		<p>TITLE: CABINET/FINISHED/BLACK KF750P [MANUFACTURING SPECIFICATION]</p>
		DRAWN: F LECOUR	12/18/98		
		CHECKED: KFH	5/28/99		
		DES ENG: JR	6/2/99		
MFG ENG: KR/V	6/4/99				
		A	SHEET 1 OF 1	SCALE: 1 TO 20	
			DRAWING NUMBER: 510816	REVISION: A	

THIS DRAWING IS THE PROPERTY OF EAW AND SHALL NOT BE COPIED, REPRODUCED, OR USED AS THE BASIS FOR MANUFACTURE OR SALE OF APPARATUS WITHOUT WRITTEN AUTHORIZATION. DO NOT SCALE DRAWING.