
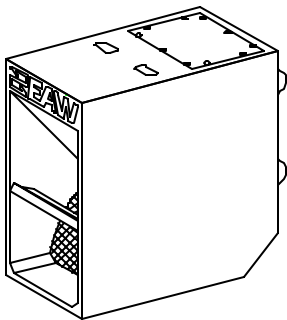
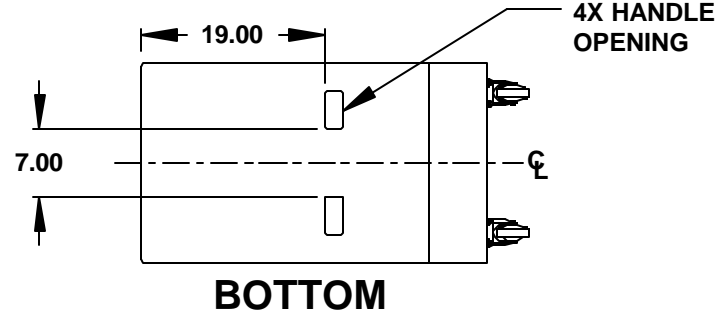
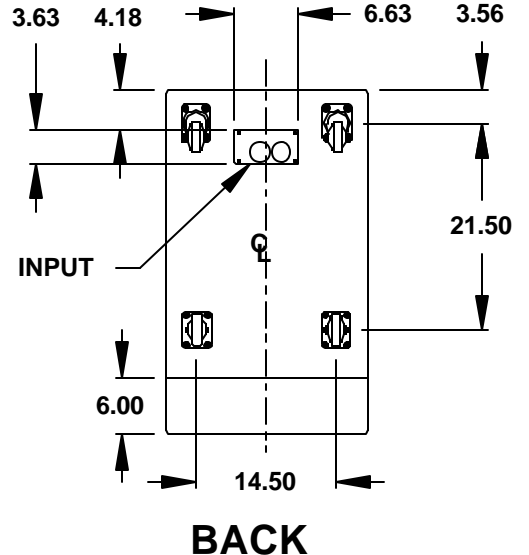
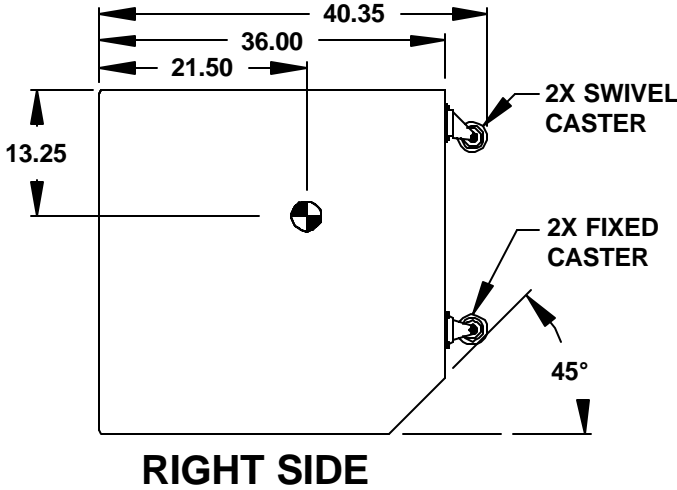
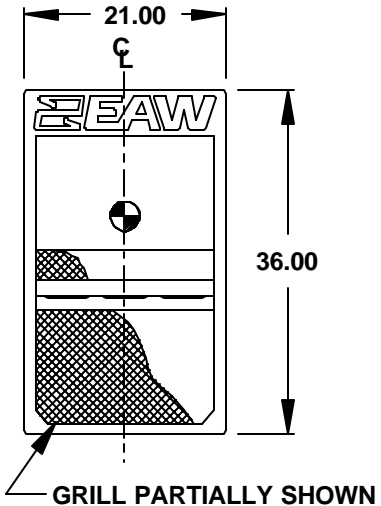
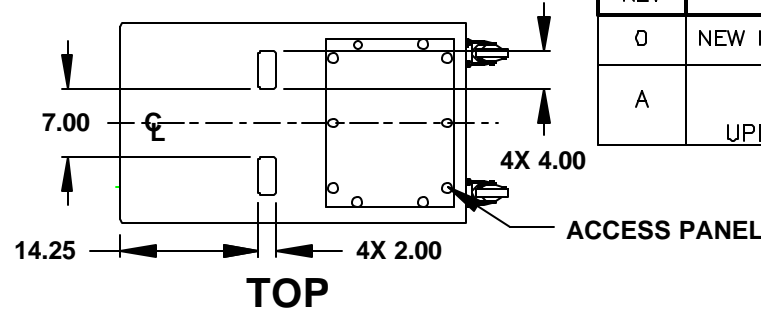


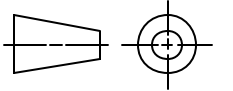

- NOTES:**
1. SYMBOL  INDICATES CENTER OF BALANCE.
 2. WEIGHT APPROX. 150 LBS.
 3. SHIPPING WEIGHT APPROX. 173 LBS.

REV	DESCRIPTION	APVD/DATE
0	NEW ISSUE PER DSR 99-468 JRM 4/9/99	KFH 4/14/99
A	ORACLE REVISION CONVERSION DRAWING WAS REVISION 0 UPDATED PER ECO#5151 JH 7/25/01	SS 7/30/01



LA400

DOCUMENT CONTROL PER SPECIFICATION 4.5.201

 THIRD ANGLE PROJECTION	UNLESS OTHERWISE SPECIFIED: ALL DIMENSIONS ARE IN INCHES TOLERANCE IN INCHES XX ± .13 ANGLES ±1°	STATUS. PRODUCTION		 EASTERN ACOUSTIC WORKS ONE MAIN STREET WHITINSVILLE, MA 01588 USA	
	THIS DRAWING IS THE PROPERTY OF EAW AND SHALL NOT BE COPIED, REPRODUCED, OR USED AS THE BASIS FOR MANUFACTURE OR SALE OF APPARATUS WITHOUT WRITTEN AUTHORIZATION. DO NOT SCALE DRAWING.	(X.XX) = REF DIMS NO TOLERANCE IMPLIED T.S.C. = THEORETICAL SHARP CORNER DIMENSIONS ACROSS CENTERLINES TO BE SYMMETRICAL	APPROVALS DRAWN: JRM CHECKED: KFJH DES. ENG: DWG MFG. ENG: CSC	DATE 4/9/99 4/14/99 4/14/99 4/14/99	TITLE CABINET/FINISHED/BLACK LA400 [MECHANICAL SPECIFICATIONS]
				A	SHEET 1 OF 1
				DRAWING NUMBER: 510829	REVISION: A