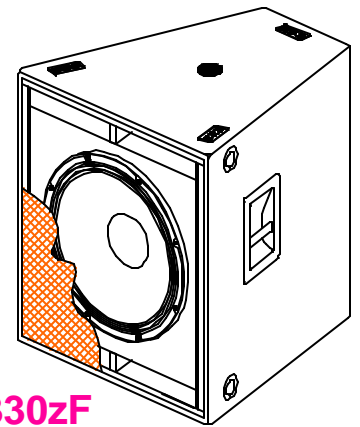
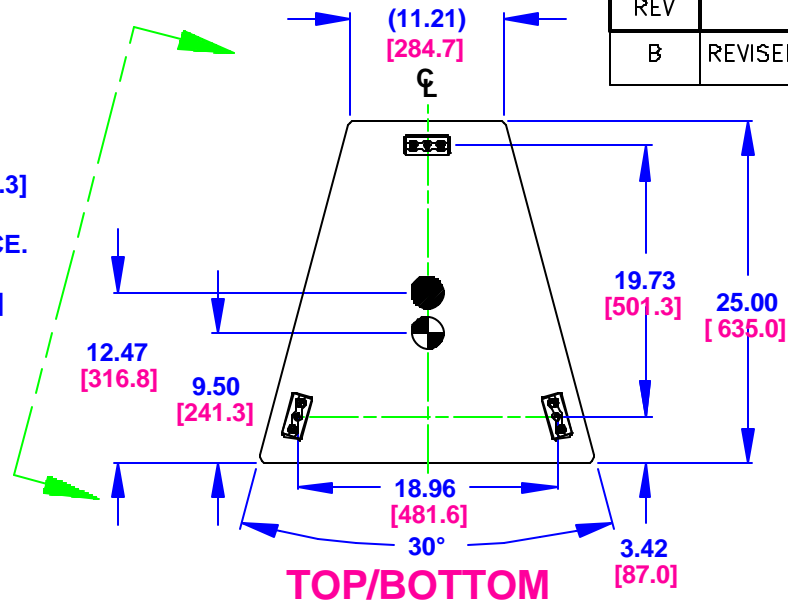


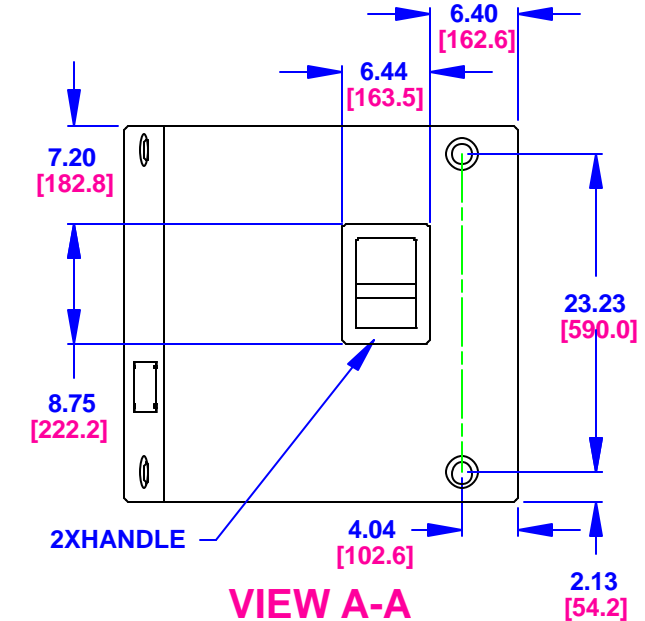
NOTES:

1. SYMBOL ● INDICATES MOUNTING POINT, 3/8-16 THREADED HOLE (NUT PLATE).
2. SYMBOL ⊙ INDICATES MOUNTING POINT, 3/8-16 THREADED HOLE (FLYTRACK).
3. SYMBOL [---] INDICATES 3.00 [76.2] X 1.35 [34.3] FLYTRACK.
4. SYMBOL ⊕ INDICATES CENTER OF BALANCE.
5. WEIGHT APPROX. 97 lb [44.0 kg]
6. SHIPPING WEIGHT APPROX. 112.5 lb [51.0 kg]

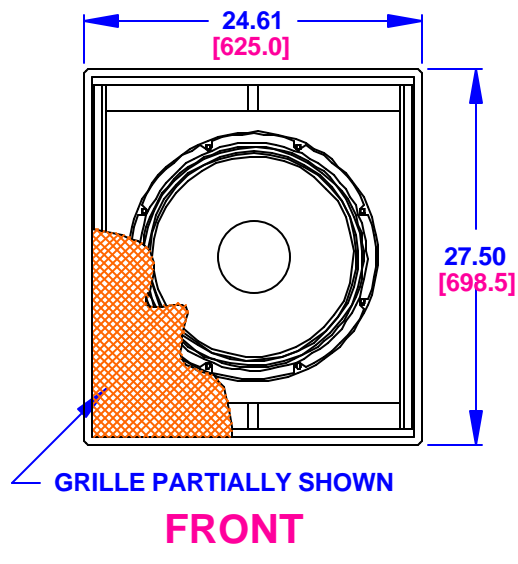
REV	DESCRIPTION	APVD/DATE
B	REVISED PER ECOWHT3608 DM 11/2/04	JB 12/2/04



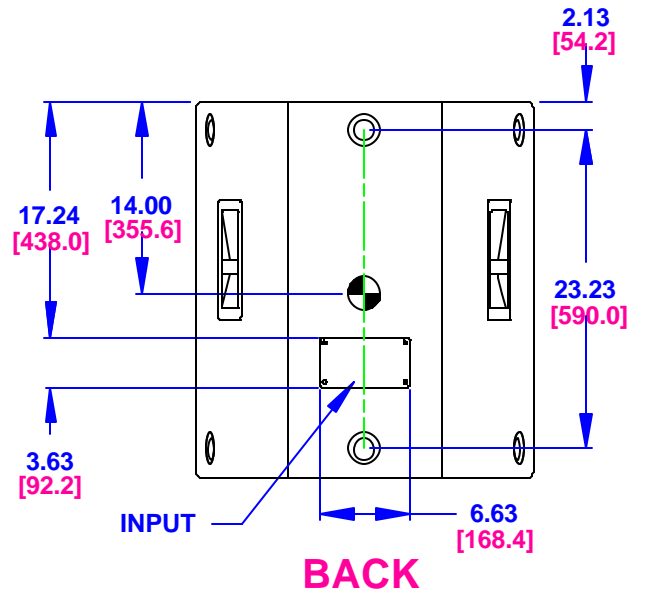
SB330zF



VIEW A-A
DIMENSIONS APPLY TO BOTH SIDES



FRONT



BACK

DOCUMENT CONTROL PER SPECIFICATION 4.5.201

<p>THIRD ANGLE PROJECTION</p>	<p>UNLESS OTHERWISE SPECIFIED ALL DIMENSIONS ARE: INCHES [MILLIMETERS]</p> <p>TOLERANCES</p> <p>LINEAR ± 0.13 in/± 3.3 mm</p> <p>ANGLES ± 1°</p> <p>(x.xx) = REF DIMS NO TOLERANCE IMPLIED</p> <p>TSC=THEORETICAL SHARP CORNER</p> <p>DIMENSIONS ACROSS CENTERLINES TO BE SYMMETRICAL</p>	<p>STATUS: PRODUCTION</p>		<p>EAW EASTERN ACOUSTIC WORKS ONE MAIN STREET WHITINSVILLE, MA 01508 USA</p>
		<p>APPROVALS</p> <p>DRAWN: DM</p> <p>CHECKED: RS</p> <p>DES ENG: BP</p> <p>MFG ENG: SM</p>	<p>DATE</p> <p>2/19/04</p> <p>5/5/04</p> <p>5/6/04</p> <p>5/10/04</p>	
<p>THIS DRAWING IS THE PROPERTY OF EAW AND SHALL NOT BE COPIED, REPRODUCED, OR USED AS THE BASIS FOR MANUFACTURE OR SALE OF APPARATUS WITHOUT WRITTEN AUTHORIZATION. DO NOT SCALE DRAWING.</p>			<p>A SHEET 1 OF 1</p>	<p>SCALE: 1 TO 14</p>
			<p>DRAWING NUMBER: 0008997</p>	<p>REVISION: B</p>