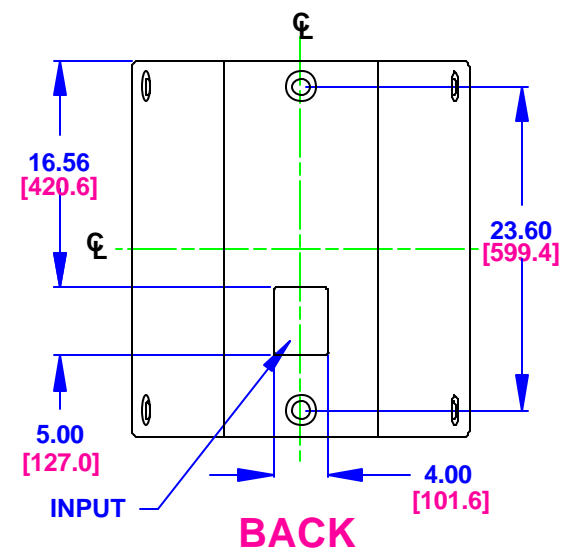
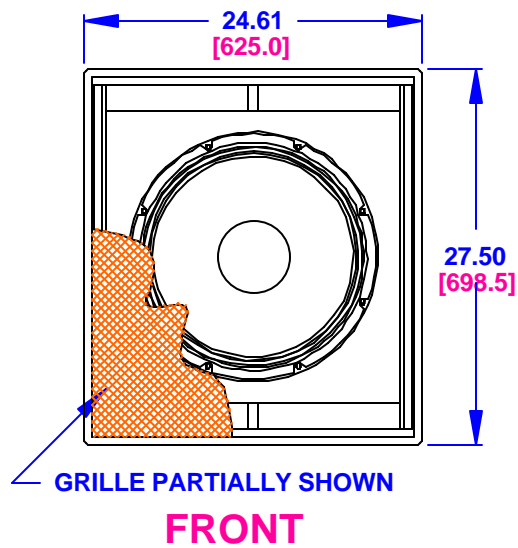
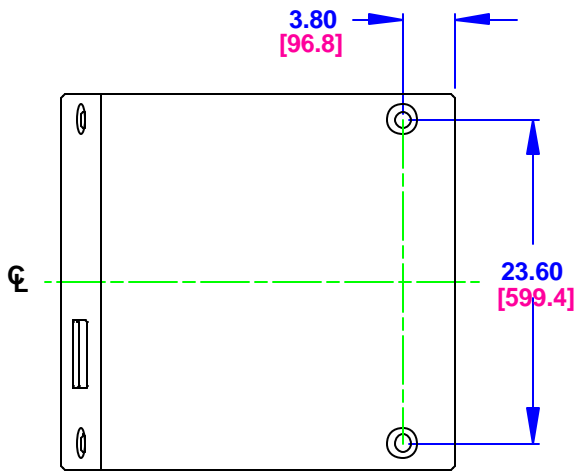
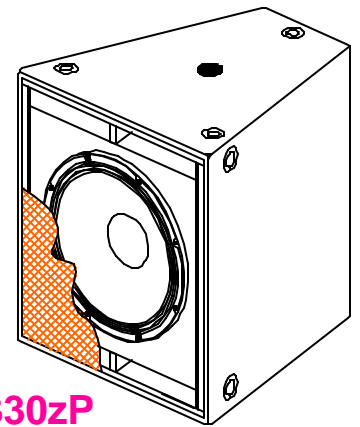
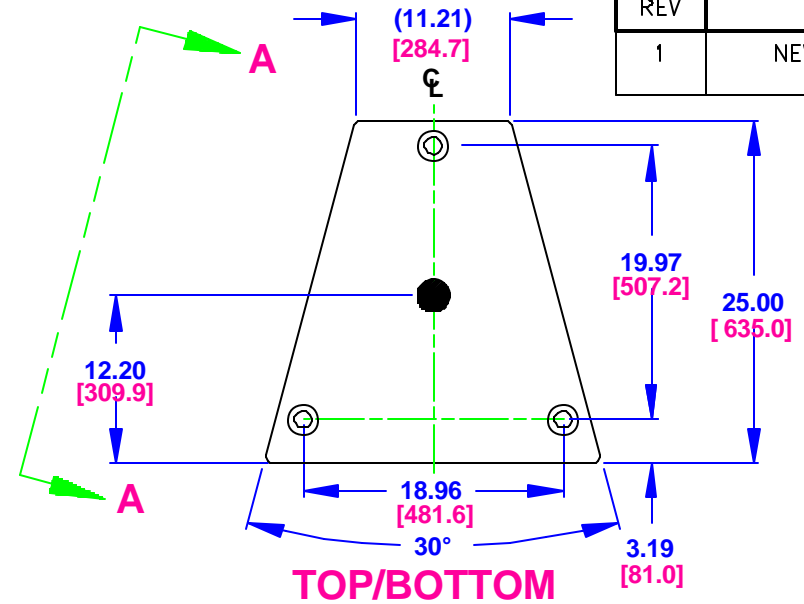


NOTES:

1. SYMBOL ● INDICATES MOUNTING POINT, 3/8-16 THREADED HOLE (NUT PLATE).
2. SYMBOL ⊙ INDICATES MOUNTING POINT, 3/8-16 THREADED HOLE (PI ANGLE)

REV	DESCRIPTION	APVD/DATE
1	NEW ISSUE PER DSRWHT6027 DM 4/15/05	RS 5/3/05



DOCUMENT CONTROL PER SPECIFICATION 4.5.201

THIRD ANGLE PROJECTION

THIS DRAWING IS THE PROPERTY OF EAW AND SHALL NOT BE COPIED, REPRODUCED, OR USED AS THE BASIS FOR MANUFACTURE OR SALE OF APPARATUS WITHOUT WRITTEN AUTHORIZATION. DO NOT SCALE DRAWING.

UNLESS OTHERWISE SPECIFIED ALL DIMENSIONS ARE: INCHES [MILLIMETERS]

TOLERANCES
 LINEAR ± 0.13 in/± 3.3 mm
 ANGLES ± 1°

(x.xx) = REF DIMS
 NO TOLERANCE IMPLIED

TSC=THEORETICAL SHARP CORNER
 DIMENSIONS ACROSS CENTERLINES TO BE SYMMETRICAL

STATUS: PROTOTYPE	
APPROVALS	DATE
DRAWN: DM	4/14/05
CHECKED: RS	5/3/05
DES ENG:	
MFG ENG:	

EAW EASTERN ACOUSTIC WORKS
 ONE MAIN STREET
 WHITINSVILLE, MA 01508 USA

TITLE: CABINET/FINISHED/BLACK/SB330zP
 [MECHANICAL SPECIFICATION]

A SHEET 1 OF 1 SCALE: 1 TO 14

DRAWING NUMBER: 0009009 REVISION: 1