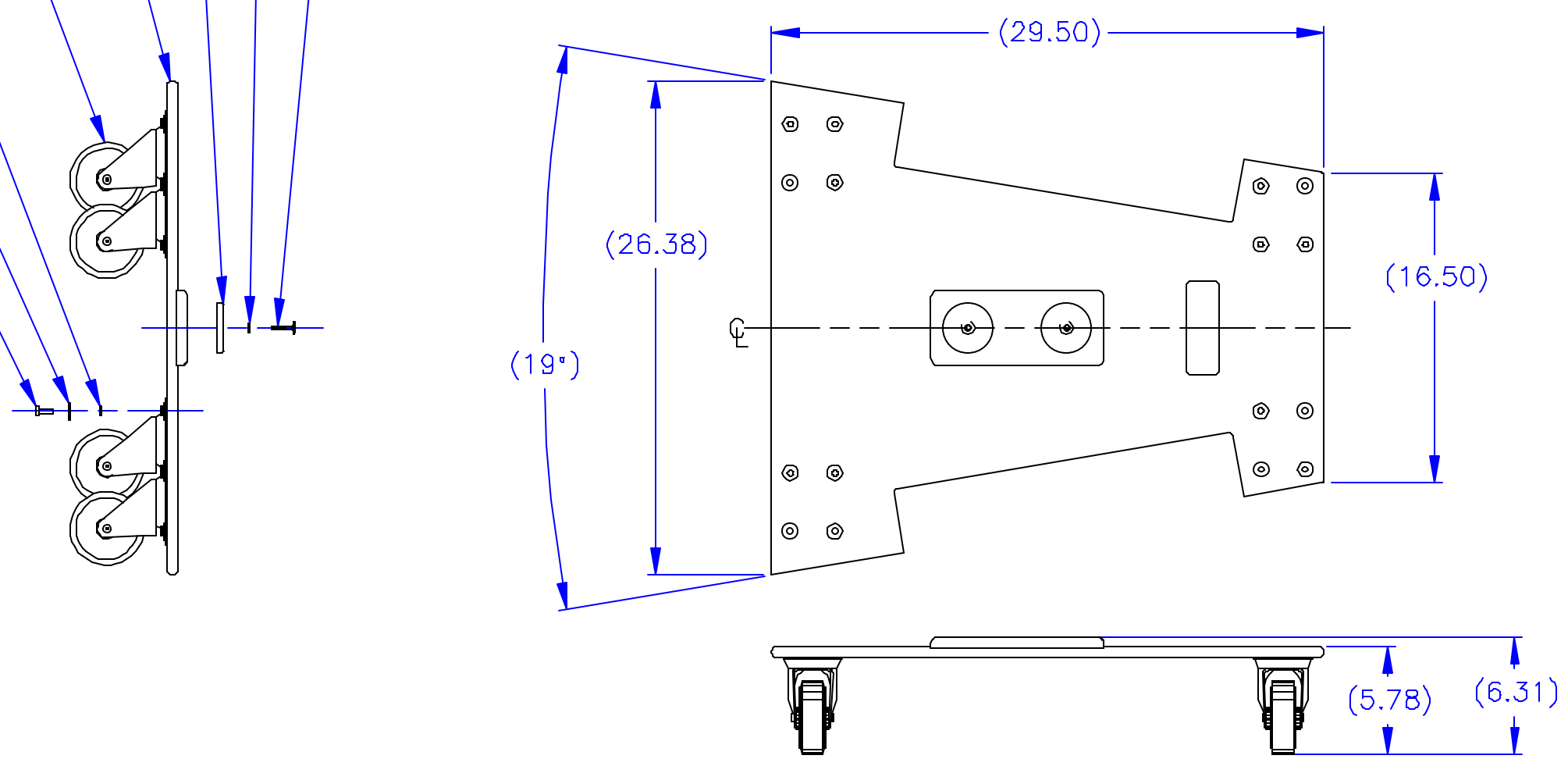


NOTES:  
 1. REFER TO EAW MATERIAL SPECIFICATION 480455 FOR LABELING AND SHIPPING REQUIREMENTS.

REV	DESCRIPTION	APVD/DATE
A	NEW ISSUE PER MCOVHT1346, SEE DSR# 03-1390 MELANIE 11/25/03	RS 12/9/03

- 16X 1/4-20 X 3/4 PH PHMS 18-8 BLK (EAW PART NO. 102039)
- 16 X 1/4-20 SS FLAT WASHER (EAW PART NO. 105007)
- 16 X 1/4" BLACK SS SPLIT LOCK WASHER (EAW PART NO. 105008)
- 4X CASTER (EAW PART NO. 150001)
- CASTER PALLET (EAW PART NO. 0007682)
- 2X MAGNET (EAW PART NO. 101047)
- 2X 1/4" BLACK SS SPLIT LOCK WASHER (EAW PART NO. 105008)
- 2X 1/4-20 X 1 LG HEAD BL BOLT/JOINT CONNECTOR (EAW PART NO. 104023)



DOCUMENT CONTROL PER SPECIFICATION 4.5.201

THIRD ANGLE PROJECTION 	UNLESS OTHERWISE SPECIFIED: ALL DIMENSIONS ARE IN INCHES TOLERANCE IN INCHES .X ± .1    .XX ± .03    .XXX ± .010 FRACTIONS ± 1/32 ANGLES ± 1/2° (X.XX) = REF DIMS NO TOLERANCE IMPLIED T.S.C.=THEORETICAL SHARP CORNER DIMENSIONS ACROSS CENTERLINES TO BE SYMMETRICAL	STATUS: <b>PRODUCTION</b>		EASTERN ACOUSTIC WORKS ONE MAIN STREET WHITINSVILLE, MA 01588 USA
		APPROVALS DRAWN: MELANIE CHECKED: RS DES ENG: TW MFG ENG: DD	DATE 11/25/03 12/9/03 12/11/03 12/10/03	
THIS DRAWING IS THE PROPERTY OF EAW AND SHALL NOT BE COPIED, REPRODUCED, OR USED AS THE BASIS FOR MANUFACTURE OR SALE OF APPARATUS WITHOUT WRITTEN AUTHORIZATION. DO NOT SCALE DRAWING.			DRAWING NUMBER: 0007683	REVISION: A