



# UX48

The UX48 represents EAW's next-generation Greybox™-enabled networked digital signal processor. The UX48 offers Dante, analog and AES inputs and outputs combined with the power of EAW's Focusing™ and DynO™ processing, maximizing performance in any system. The front panel offers access to quick setup functions, with advanced control via EAW Resolution™, integrating prediction, control and monitoring in one platform.

- 4-input, 8-output processor
- AES3 and Dante™ input
- Universal Mains input (85-230VAC, 50-60Hz)

## Physical Specifications

### Dimensions (inches/millimeters)

Height: 1.73 / 44

Width: 19 / 482

Depth: 10 / 254

### Weight (pounds/kilograms)

5.95 / 2.7

## Performance Specifications

### Sampling Rate

48kHz

### Input Dynamic Range

>120dB (A-weighted)

### Output Dynamic Range

118dB (A-weighted)

### Frequency Response

10Hz - 24kHz

### Total Harmonic Distortion (THD)

<0.008% (20hz-20kHz)

### Inputs

- Analog, +20dBu max @10k Ohm balanced
- AES3, 100 Ohm, transformer isolated

### Outputs

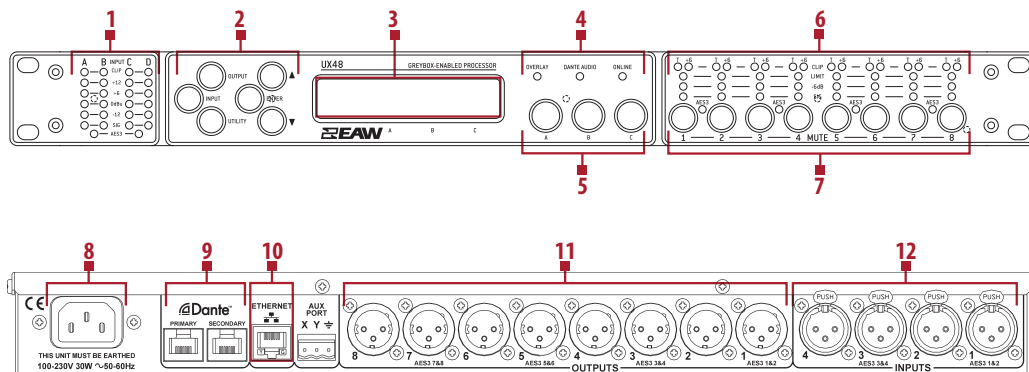
- +18dBu into 600Ω
- <100Ω balanced XLR for analog and AES3

### Dante™ Input

- Primary and Secondary RJ45 connectors
- 4 channel input

### Power Consumption

30W



- 1 Input Meters
- 2 Menu Navigation
- 3 LCD Screen
- 4 Status LED's
- 5 Parameter Adjust
- 6 Output Meters
- 7 Output Mute Control
- 8 AC Mains (3pin IEC)
- 9 Dante Primary & Secondary
- 10 Ethernet Communications Port
- 11 Outputs
- 12 Inputs