


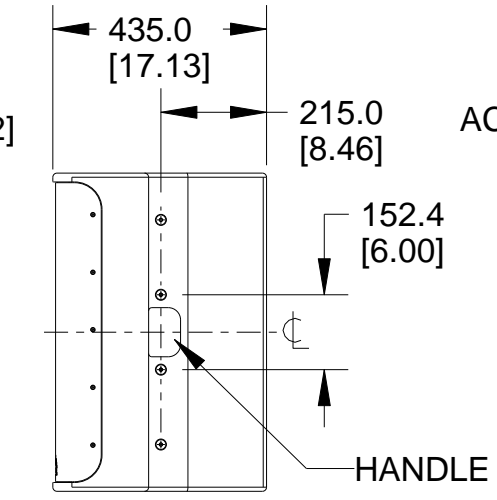
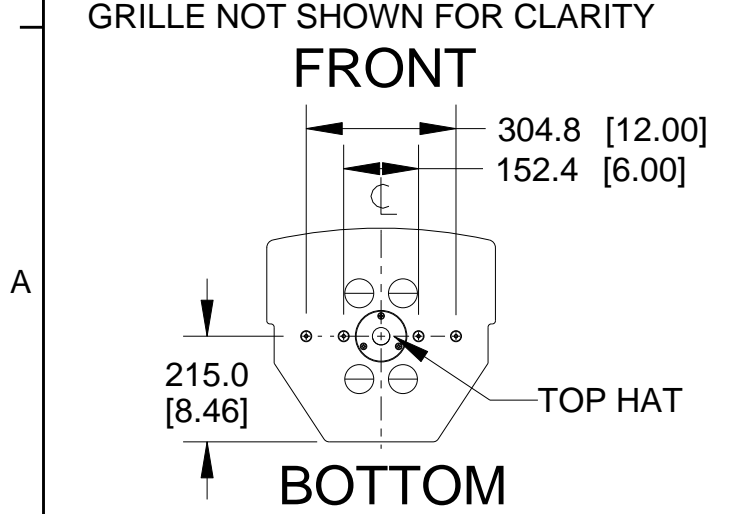
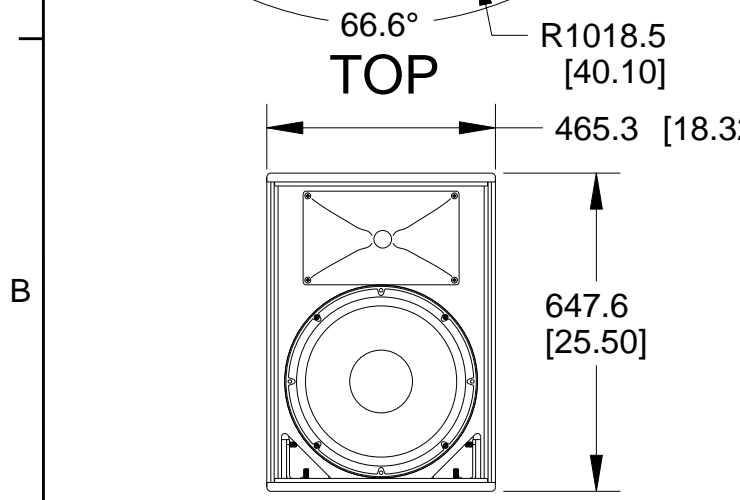
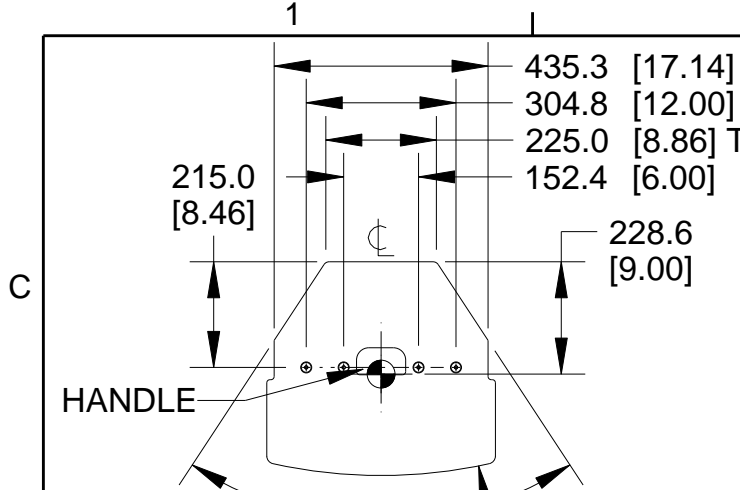
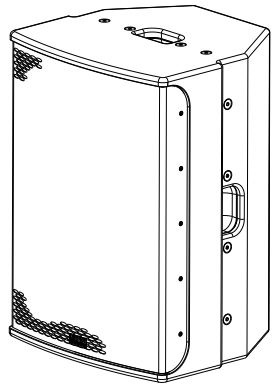
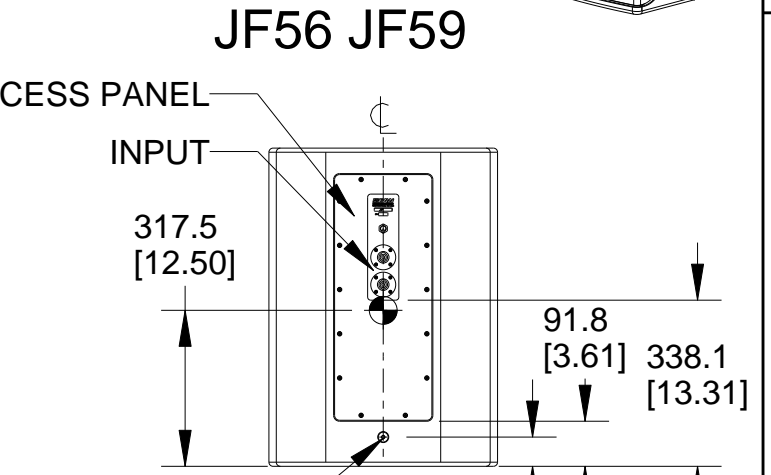


REV	CHANGE NUMBER	DATE
A	ECOWHT6966	10/7/10

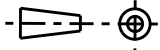
- NOTES:
1. SYMBOL  INDICATES CENTER OF BALANCE.
 2. SYMBOL  INDICATES MOUNTING POINT, M10 THREADED HOLE.
 3. SYMBOL  INDICATES MOUNTING POINT, M10 THREADED HOLE FOR OMNIMOUNT 120.0 SERIES.
 4. WEIGHT APPROX. 35 kg [77.2 lb]
 5. SHIPPING WEIGHT APPROX. 40 kg [88.2 lb]



DIMENSIONS APPLY TO BOTH SIDES
RIGHT SIDE



BACK

<p>THIRD ANGLE PROJECTION</p> 	<p>UNLESS OTHERWISE SPECIFIED: ALL DIMENSIONS ARE IN MILLIMETERS DUAL [INCHES] DIMENSIONS FOR REF ONLY</p>	<p>EAW www.eaw.com</p>						
	<p>TOLERANCE IN MILLIMETERS LINEAR ± 3.3 mm / ± 0.13 in ANGLES ± 1°</p>		<p>TITLE: DWG CUSTOMER JF56 JF59 [MECHANICAL SPECIFICATION]</p>					
<p>THE INFORMATION CONTAINED HEREIN IS PROPRIETARY AND CONFIDENTIAL PROPERTY OF LOUD TECHNOLOGIES, INC. ALL RIGHTS RESERVED</p>	<p>(X.XX) = REF DIMS NO TOLERANCE IMPLIED</p> <p>TSC = THEORETICAL SHARP CORNER</p> <p>DIMENSIONS ACROSS CENTERLINES TO BE SYMMETRICAL</p>	<table border="1"> <tr> <td>A</td> <td>SHEET 1 OF 1</td> <td>SCALE: 0.065</td> </tr> <tr> <td colspan="2">DRAWING NUMBER: 2034954-CD</td> <td>REVISION: A</td> </tr> </table>	A	SHEET 1 OF 1	SCALE: 0.065	DRAWING NUMBER: 2034954-CD		REVISION: A
A	SHEET 1 OF 1	SCALE: 0.065						
DRAWING NUMBER: 2034954-CD		REVISION: A						