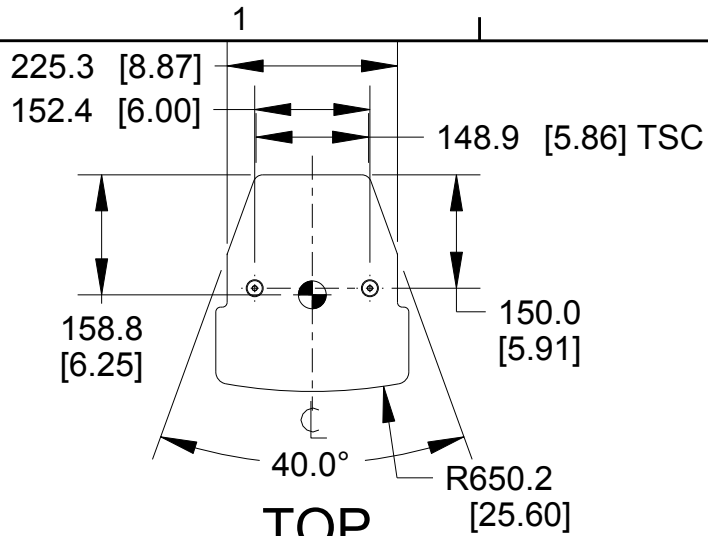
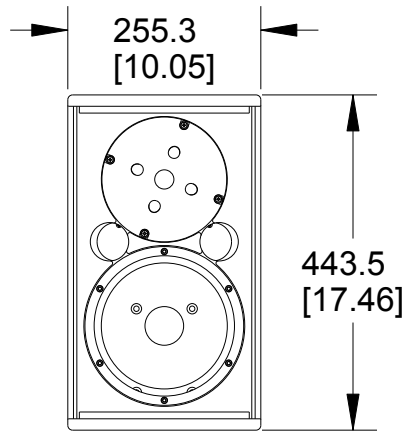


REV	CHANGE NUMBER	DATE
A	ECOWHT6615	7/30/10
B	ECOWHT6953	10/5/10

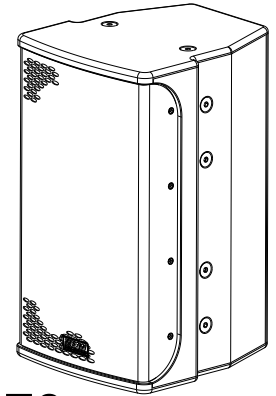


TOP

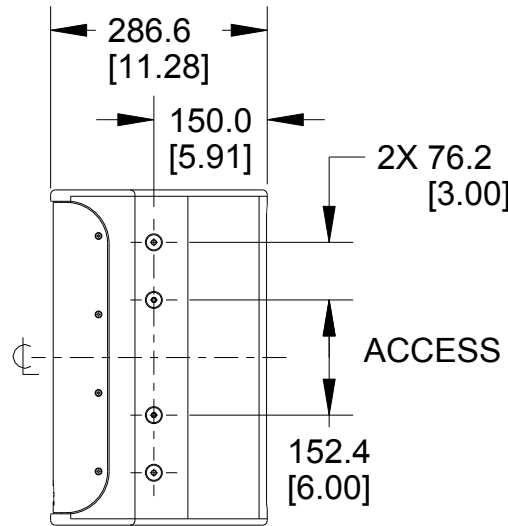


GRILLE NOT SHOWN FOR CLARITY
FRONT

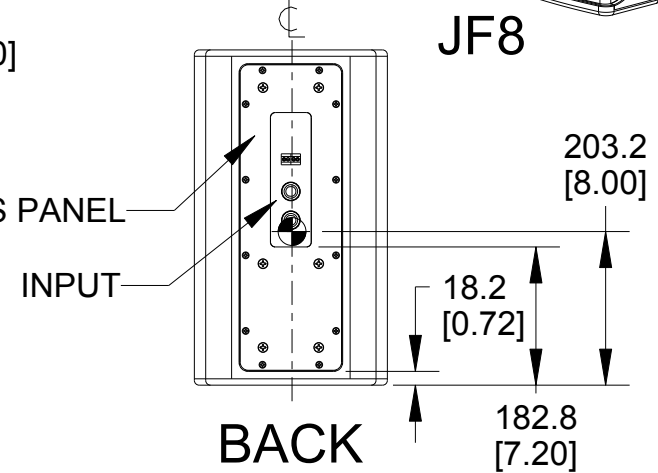
- NOTES:**
1. SYMBOL INDICATES CENTER OF BALANCE.
 2. SYMBOL INDICATES MOUNTING POINT, M10 THREADED HOLE.
 3. SYMBOL INDICATES MOUNTING POINT, M8 THREADED HOLE FOR OMNIMOUNT 60.0 SERIES.
 4. WEIGHT APPROX. 13.2 kg [29 lb]
 5. SHIPPING WEIGHT APPROX. 15.9 kg [35 lb]



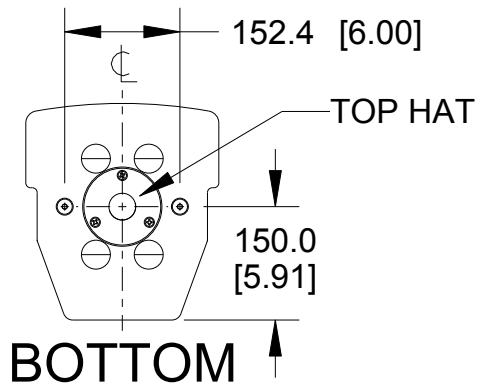
JF8



DIMENSIONS APPLY TO BOTH SIDES
RIGHT SIDE



BACK



BOTTOM

<p>THIRD ANGLE PROJECTION</p>	<p>UNLESS OTHERWISE SPECIFIED: ALL DIMENSIONS ARE IN MILLIMETERS DUAL [INCHES] DIMENSIONS FOR REF ONLY</p> <p>TOLERANCE IN MILLIMETERS LINEAR ± 3.3 mm / ± 0.13 in ANGLES ± 1°</p> <p>(X.XX) = REF DIMS NO TOLERANCE IMPLIED</p> <p>TSC = THEORETICAL SHARP CORNER</p> <p>DIMENSIONS ACROSS CENTERLINES TO BE SYMMETRICAL</p>	<p>EAW www.eaw.com</p>	
		<p>TITLE: DWG CUSTOMER JF8 [MECHANICAL SPECIFICATION]</p>	
<p>THE INFORMATION CONTAINED HEREIN IS PROPRIETARY AND CONFIDENTIAL PROPERTY OF LOUD TECHNOLOGIES, INC. ALL RIGHTS RESERVED</p>	<p>DRAWING NUMBER: 2034801-CD</p>	<p>A SHEET 1 OF 1</p>	<p>SCALE: 0.100</p>
		<p>REVISION: B</p>	