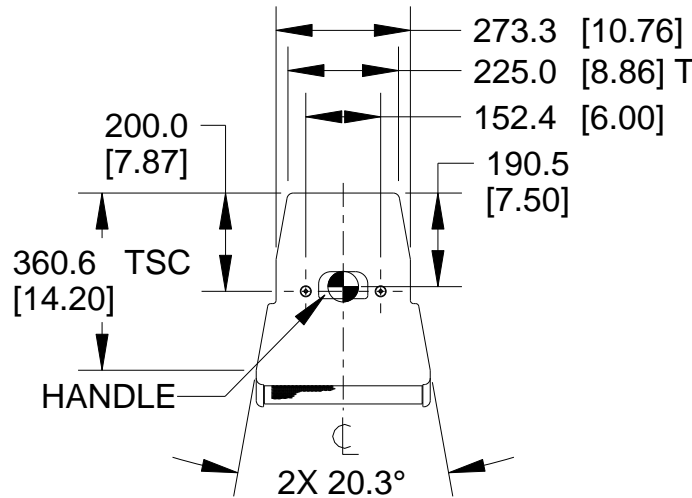
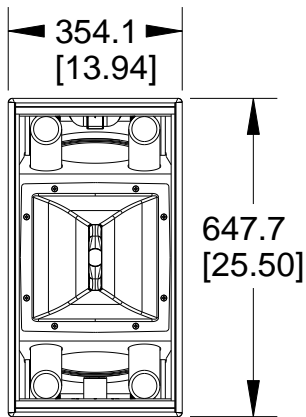


REV	CHANGE NUMBER	DATE
A	ECOWHT6973	10/12/10

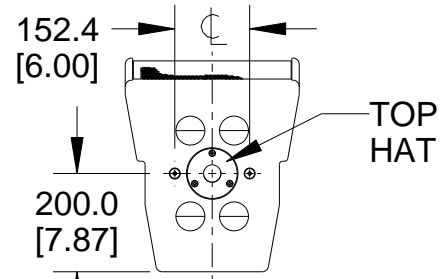


TOP



FRONT

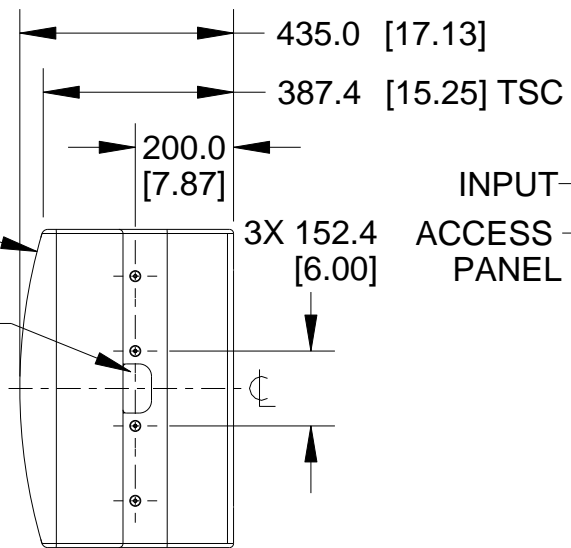
GRILLE NOT SHOWN FOR CLARITY



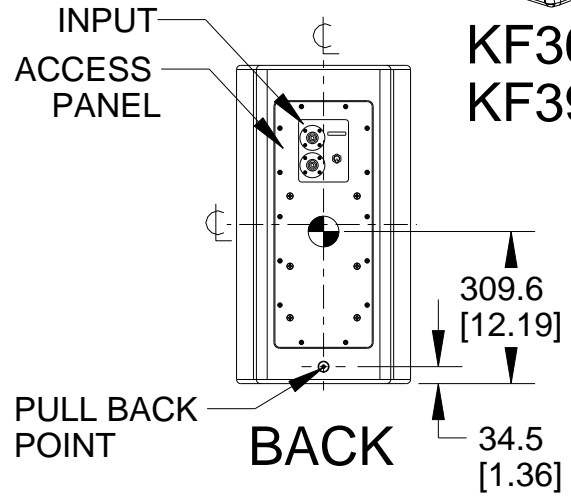
BOTTOM

NOTES:

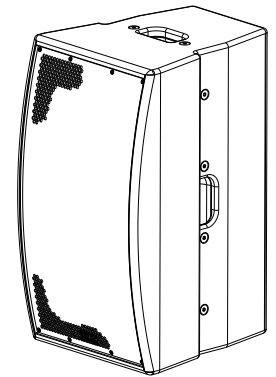
1. SYMBOL INDICATES CENTER OF BALANCE.
2. SYMBOL INDICATES MOUNTING POINT, M10 THREADED HOLE.
3. SYMBOL INDICATES MOUNTING POINT, M10 THREADED HOLE FOR OMNIMOUNT 120.0 SERIES.
4. WEIGHT APPROX. 29 kg [65.0 lb]
5. SHIPPING WEIGHT APPROX. 34 kg [75.0 lb]



RIGHT SIDE
DIMENSIONS APPLY TO BOTH SIDES

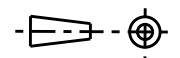


BACK



KF364
KF394

THIRD ANGLE PROJECTION



THE INFORMATION CONTAINED HEREIN IS PROPRIETARY AND CONFIDENTIAL PROPERTY OF LOUD TECHNOLOGIES, INC. ALL RIGHTS RESERVED

UNLESS OTHERWISE SPECIFIED: ALL DIMENSIONS ARE IN MILLIMETERS DUAL [INCHES] DIMENSIONS FOR REF ONLY

TOLERANCE IN MILLIMETERS
LINEAR ± 3.3 mm / ± 0.13 in
ANGLES ± 1°

(X.XX) = REF DIMS
NO TOLERANCE IMPLIED
TSC = THEORETICAL SHARP CORNER
DIMENSIONS ACROSS CENTERLINES TO BE SYMMETRICAL

EAW www.eaw.com

TITLE:
DWG CUSTOMER KF364 KF394
[MECHANICAL SPECIFICATION]

A	SHEET 1 OF 1	SCALE: 0.065
----------	--------------	-----------------

DRAWING NUMBER: 2034960-CD	REVISION: A
-------------------------------	----------------