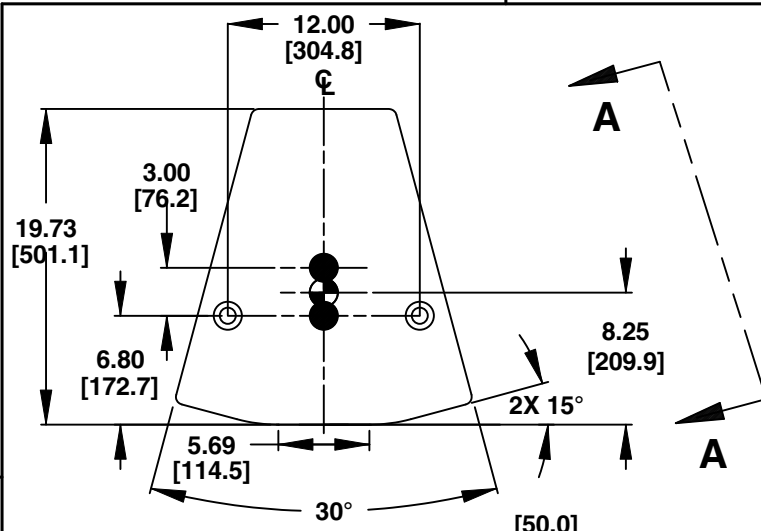
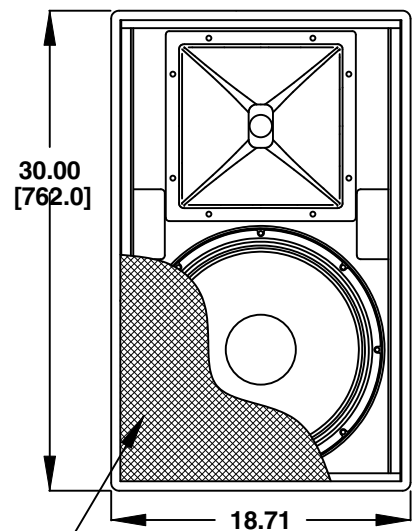


REV	CHANGE NUMBER	DATE
C	ECOWH12009	9/19/17

- NOTES:**
1. SYMBOL ● INDICATES MOUNTING POINT, 3/8-16 THREADED HOLE (NUT PLATE).
 2. SYMBOL ⊙ INDICATES MOUNTING POINT, 3/8-16 THREADED HOLE (PI ANGLE).
 3. SYMBOL ⊖ INDICATES MOUNTING POINT, 5/16-18 T-NUT FOR MULTIMOUNT MM-120.0 SERIES.
 4. SYMBOL ⊕ INDICATES CENTER OF BALANCE.
 5. WEIGHT APPROX. 77 lb [34.9 kg].
 6. SHIPPING WEIGHT APPROX. 87 lb [39.5 kg].

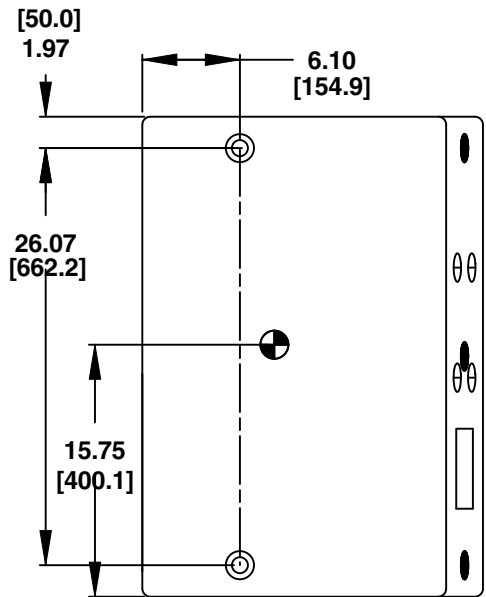


TOP/BOTTOM

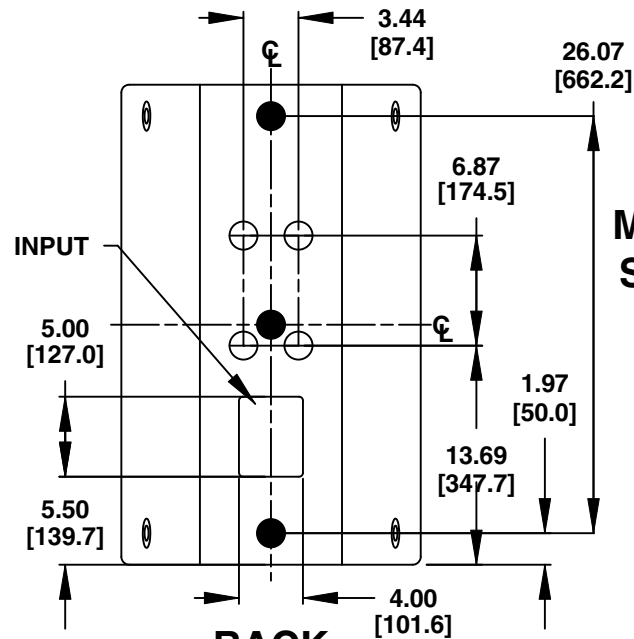


GRILLE PARTIALLY SHOWN

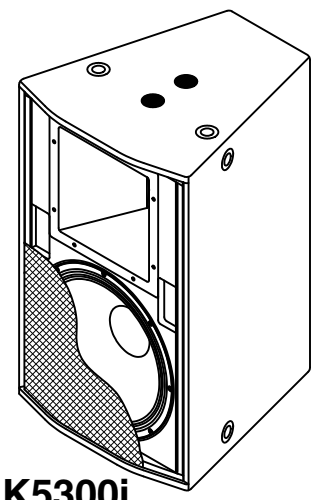
FRONT



VIEW A-A
DIMENSIONS APPLY TO BOTH SIDES



BACK



**MK5300i
SERIES**

THIRD ANGLE PROJECTION

THE INFORMATION CONTAINED HEREIN IS PROPRIETARY AND CONFIDENTIAL PROPERTY OF LOUD TECHNOLOGIES, INC. ALL RIGHTS RESERVED

UNLESS OTHERWISE SPECIFIED:
ALL DIMENSIONS ARE IN INCHES
DUAL [MM] DIMENSIONS FOR REF ONLY

TOLERANCES
LINEAR ± 0.13 in / ± 3.3 mm
ANGLES ± 1°

(X.XX) = REF DIMS
NO TOLERANCE IMPLIED

TSC=THEORETICAL SHARP CORNER

DIMENSIONS ACROSS CENTERLINES TO BE SYMMETRICAL

EAW www.eaw.com

TITLE:
DWG CUSTOMER
MK5300i SERIES

A	SHEET 1 OF 1	SCALE: 1 TO 12
DRAWING NUMBER: 2040059-CD		REVISION: C