

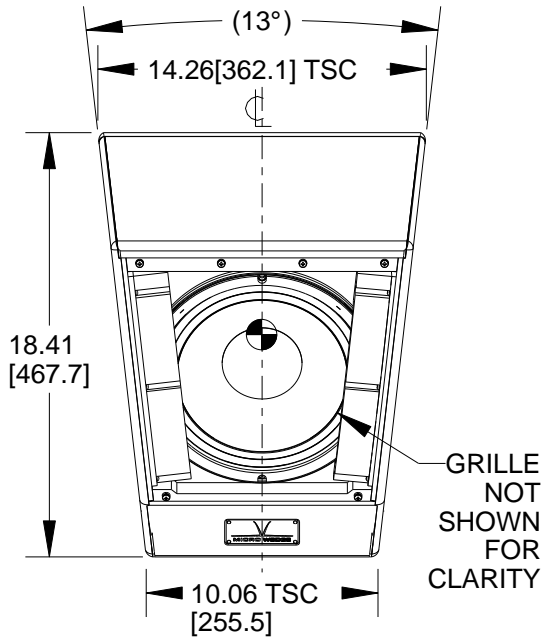


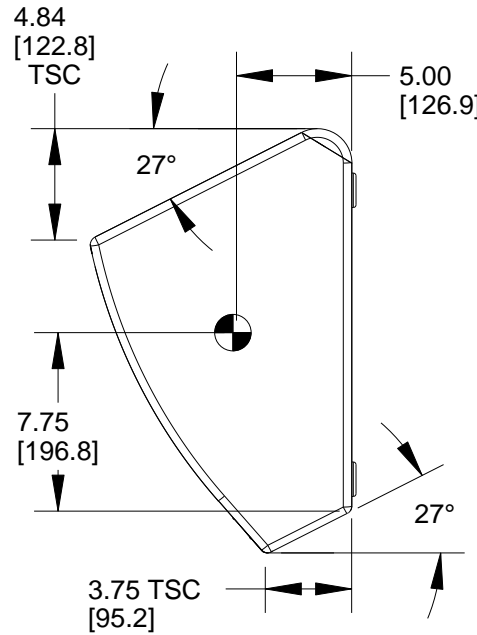
- NOTES:
 1. SYMBOL  INDICATES CENTER OF BALANCE.
 2. SYMBOL  INDICATES MOUNTING POINT,
 1/4-20 THREADED HOLE, FOR OMNIMOUNT 30.0 SERIES.
 3. WEIGHT APPROX., 27.2 LBS [12 KG]
 4. SHIPPING WEIGHT APPROX., 40.5 LBS [18 KG]

REV	CHANGE NUMBER	DATE
A	ECOWHT7616	11/9/11

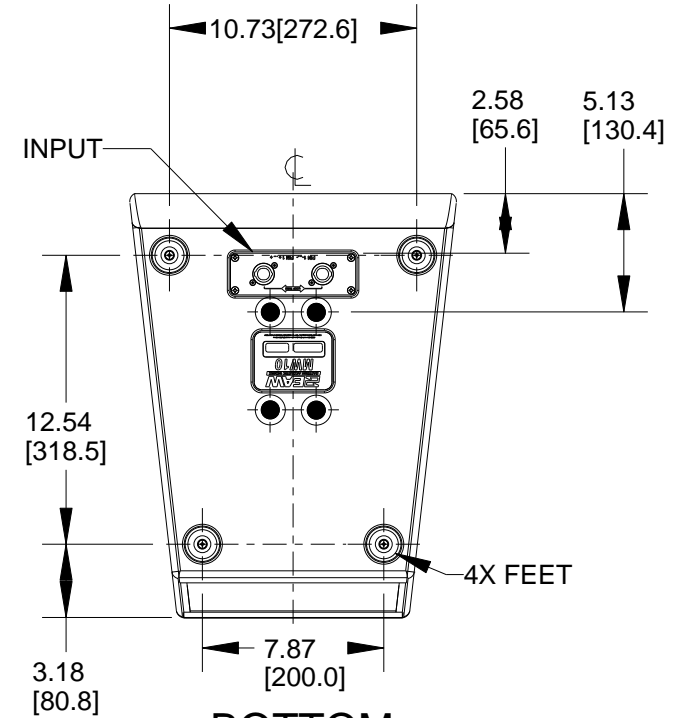
C



TOP

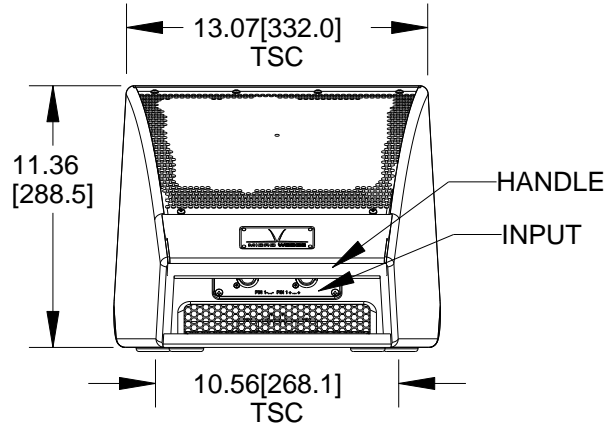


RIGHT SIDE
 DIMENSIONS APPLY TO BOTH SIDES

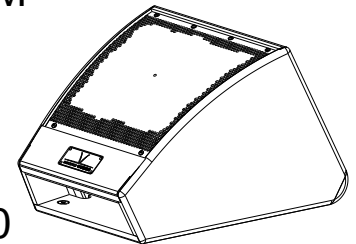


BOTTOM

B

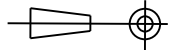


FRONT



MW10

A

<p>THIRD ANGLE PROJECTION</p> 	<p>UNLESS OTHERWISE SPECIFIED: ALL DIMENSIONS ARE IN INCHES DUAL [MM] DIMENSIONS FOR REF ONLY</p> <p>TOLERANCE IN INCHES LINEAR ± 0.13 in / ± 3.3 mm ANGLES ± 1°</p> <p>(X.XX) = REF DIMS NO TOLERANCE IMPLIED</p> <p>TSC = THEORETICAL SHARP CORNER</p> <p>DIMENSIONS ACROSS CENTERLINES TO BE SYMMETRICAL</p>	<p>EAW www.eaw.com</p>	
		<p>TITLE: DWG CUSTOMER MW10 [MECHANICAL SPECIFICATION]</p>	
<p>THE INFORMATION CONTAINED HEREIN IS PROPRIETARY AND CONFIDENTIAL PROPERTY OF LOUD TECHNOLOGIES, INC. ALL RIGHTS RESERVED</p>	<p>A</p>	<p>SHEET 1 OF 1</p>	<p>SCALE: 0.120</p>
	<p>DRAWING NUMBER: 2037305-CD</p>		<p>REVISION: A</p>

1

2

3

4

PRO ENGINEER