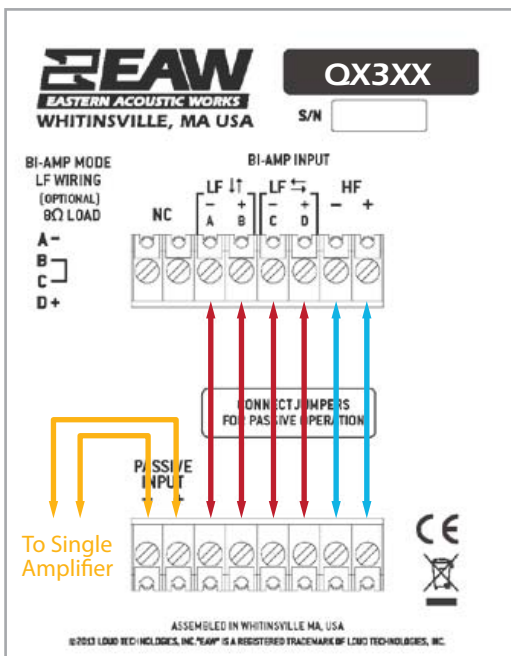


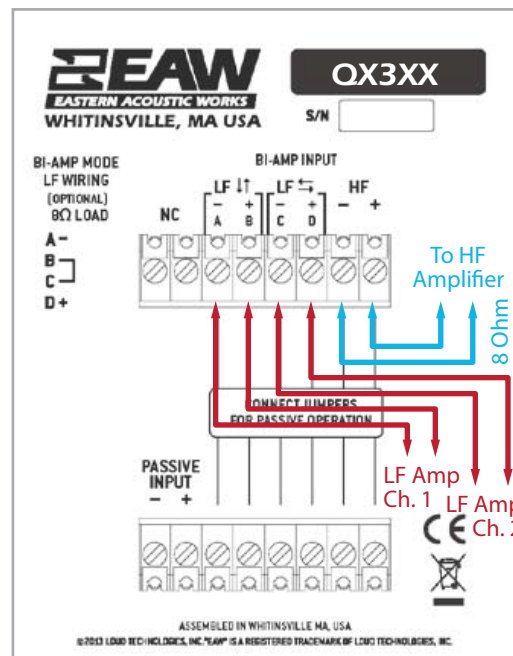
# QX3XX Wiring Options

## Passive Wiring 8 Ohm Rating



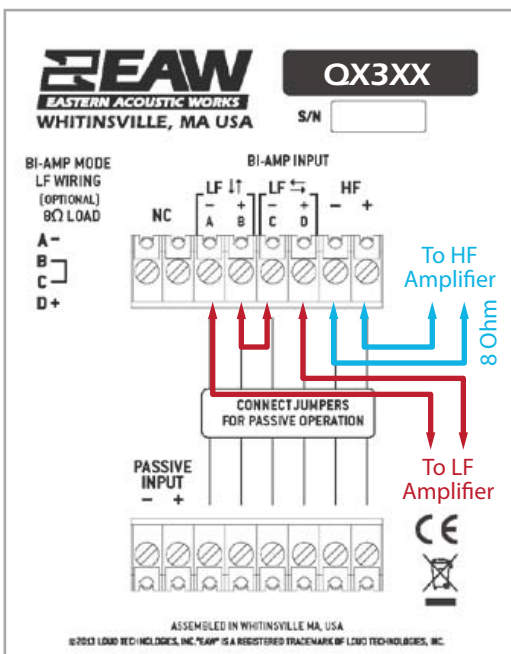
Requires Greybox: QX3xx\_SNGL\_GF

## LF1 and LF2 4 Ohm Rating



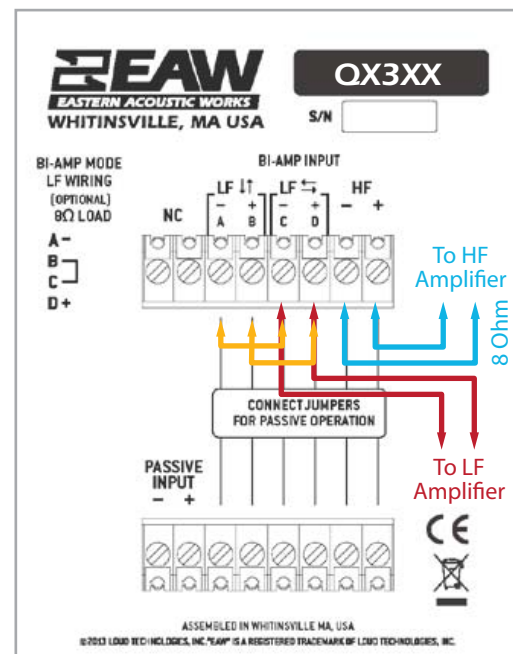
Requires Greybox: QX3xx\_BI\_GF

## LFs in Series 8 Ohm Rating



Requires Greybox: QX3xx\_BI\_GF(8 Ohm\_LF)

## LFs in Parallel 2 Ohm Rating



Requires Greybox: QX3xx\_BI\_GF