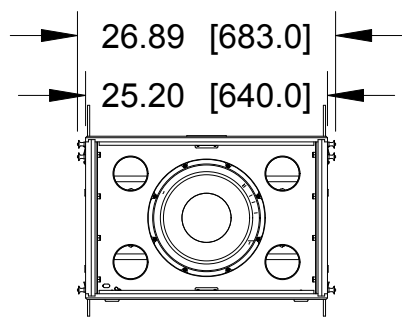
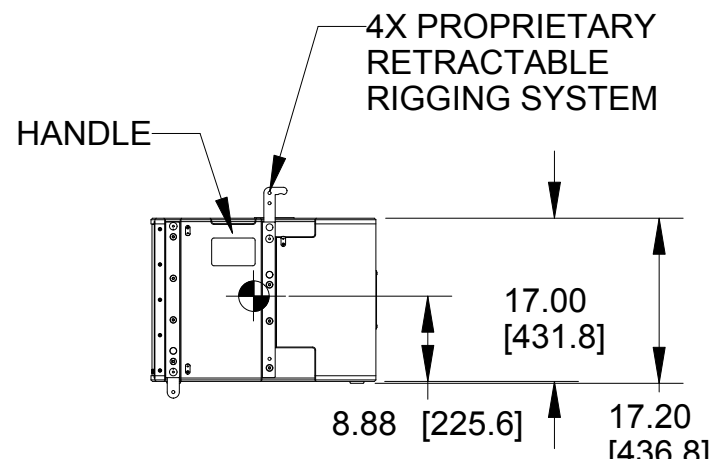


TOP



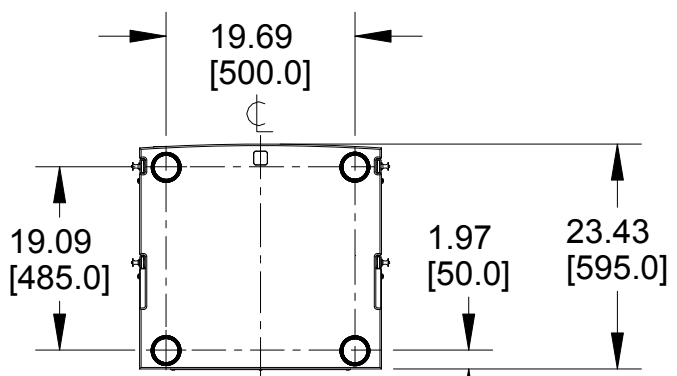
FRONT

GRILLE NOT SHOWN FOR CLARITY



RIGHT SIDE

DIMENSIONS APPLY TO BOTH SIDES

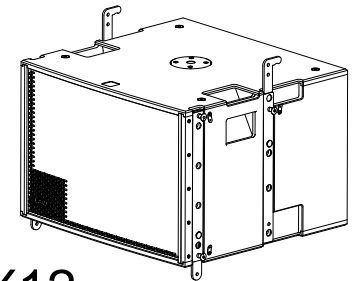


BOTTOM

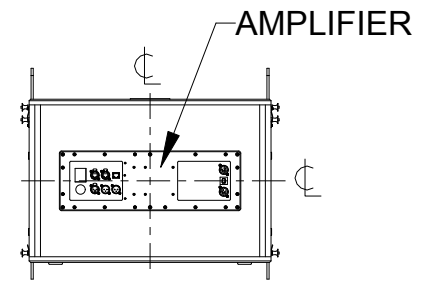
NOTES:

1. SYMBOL INDICATES CENTER OF BALANCE.
2. SYMBOL INDICATES MOUNTING POINT, M10 THREADED HOLE (PI ANGLE).
3. SYMBOL INDICATES RUBBER FOOT.
4. WEIGHT APPROX. 76.0 lb [34.5 kg].
6. SHIPPING WEIGHT APPROX. 89 lb [40 kg].

REV	CHANGE NUMBER	DATE
A	ECOWH11312	6/28/16
B	ECOWH11353	8/24/16

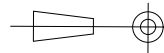


RSX12



BACK

THIRD ANGLE PROJECTION



THE INFORMATION CONTAINED HEREIN IS PROPRIETARY AND CONFIDENTIAL PROPERTY OF LOUD TECHNOLOGIES, INC. ALL RIGHTS RESERVED

UNLESS OTHERWISE SPECIFIED: ALL DIMENSIONS ARE IN INCHES DUAL [MM] DIMENSIONS FOR REF ONLY

TOLERANCE IN INCHES LINEAR ± 0.13 in / ± 3.3 mm ANGLES ± 1°

(X.XX) = REF DIMS NO TOLERANCE IMPLIED

TSC = THEORETICAL SHARP CORNER

DIMENSIONS ACROSS CENTERLINES TO BE SYMMETRICAL

EAW www.eaw.com

TITLE:
DWG CUSTOMER EAW RSX12

A	SHEET 1 OF 1	SCALE: 0.050
	DRAWING NUMBER: 2047586-CD	

REVISION: B
