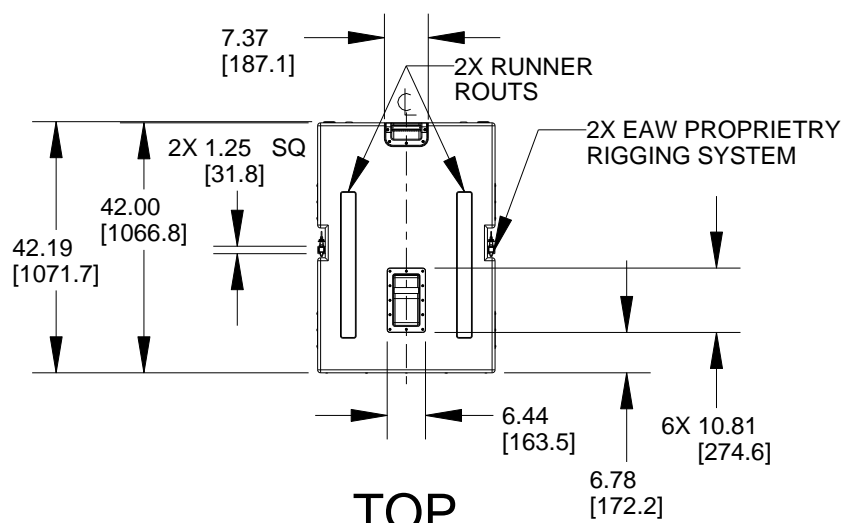
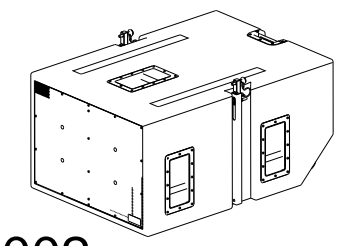


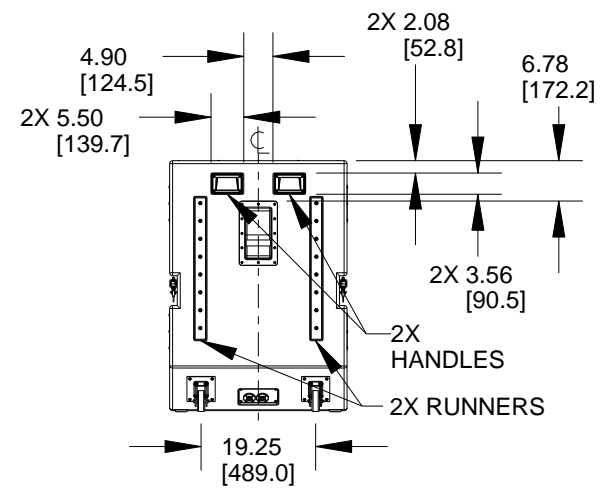
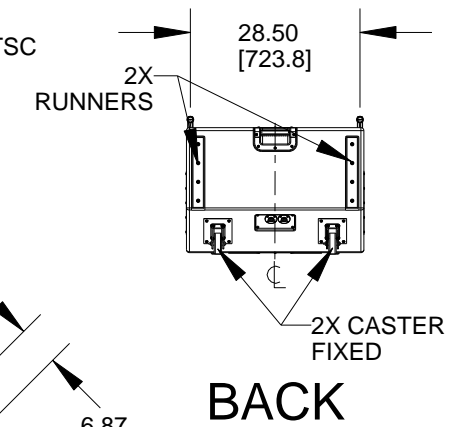
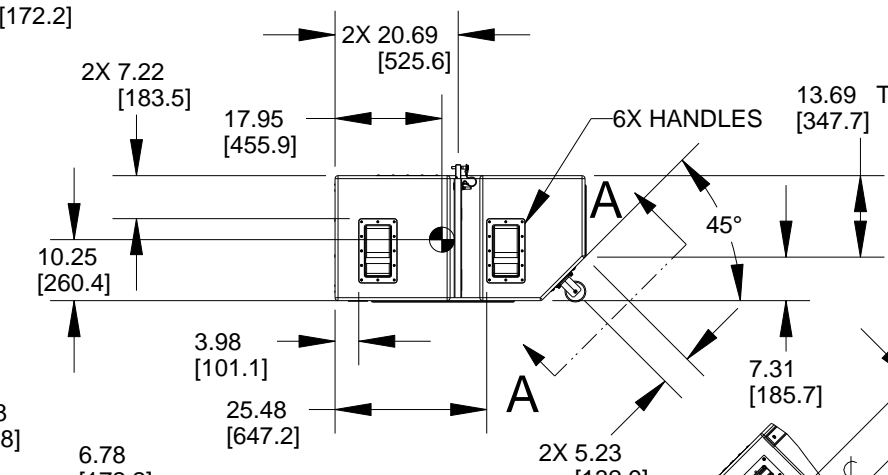
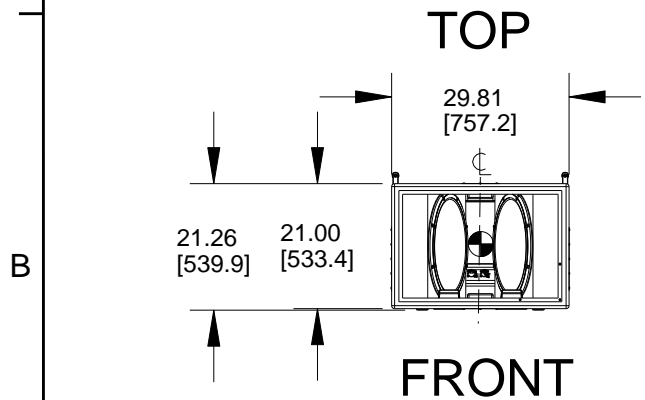
REV	CHANGE NUMBER	DATE
C	ECOWHT6099	12/22/09



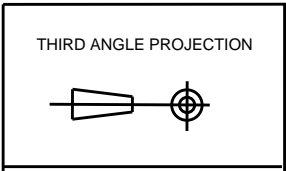
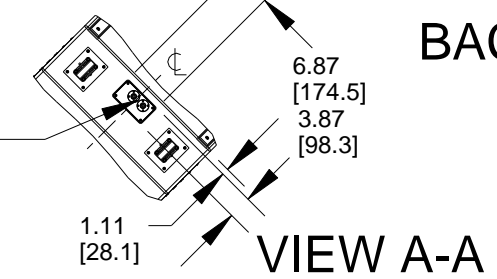
NOTES:
1. SYMBOL INDICATES CENTER OF BALANCE.
2. WEIGHT APPROX. 160 lb [72.7 kg].
3. SHIPPING WEIGHT APPROX. 182 lb [82.6 kg]



SB1002



RIGHT SIDE
DIMENSIONS APPLY TO BOTH SIDES



UNLESS OTHERWISE SPECIFIED:
ALL DIMENSIONS ARE IN INCHES
DUAL [MM] DIMENSIONS FOR REF ONLY

TOLERANCE IN INCHES
LINEAR ± 0.13 in / ± 3.3 mm
ANGLES $\pm 1^\circ$

(X.XX) = REF DIMS
NO TOLERANCE IMPLIED
TSC = THEORETICAL SHARP CORNER
DIMENSIONS ACROSS CENTERLINES TO BE SYMMETRICAL

EAW www.eaw.com

TITLE:
DWG CUSTOMER SB1002
[MECHANICAL SPECIFICATION]

A	SHEET 1 OF 1	SCALE: 0.031
DRAWING NUMBER: 0023773-CD		REVISION: C

THE INFORMATION CONTAINED
HEREIN IS PROPRIETARY AND
CONFIDENTIAL PROPERTY OF
LOUD TECHNOLOGIES, INC.
ALL RIGHTS RESERVED