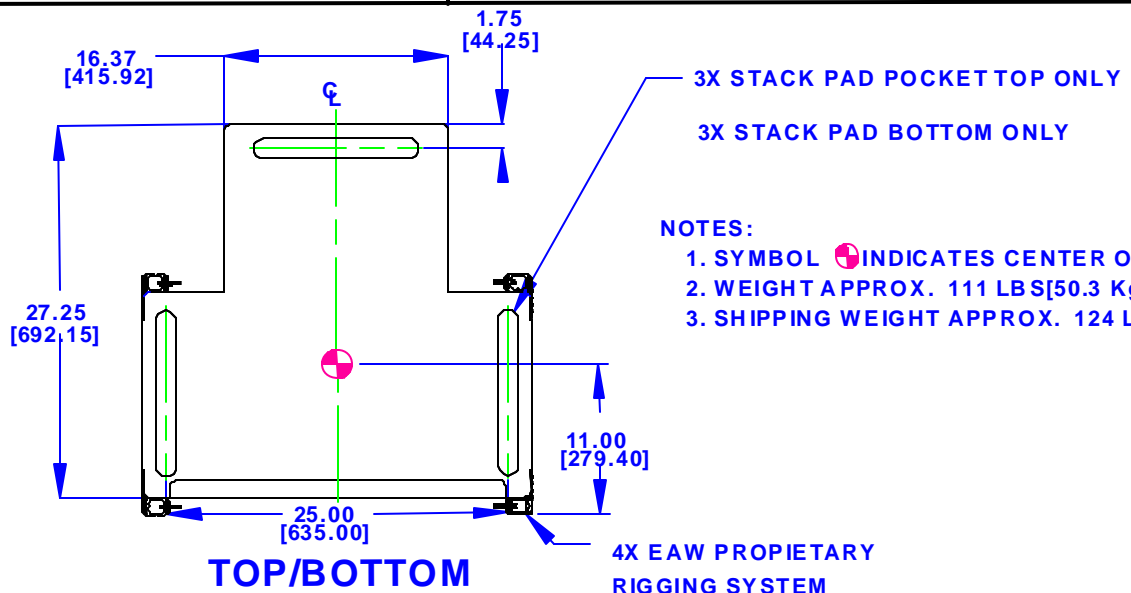
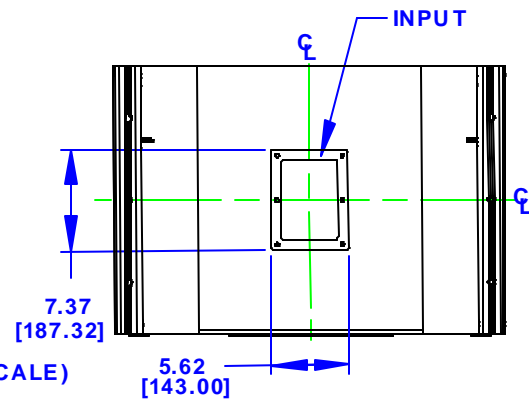
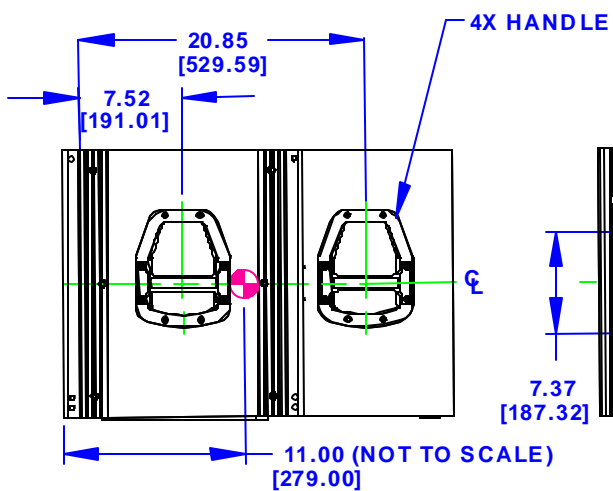
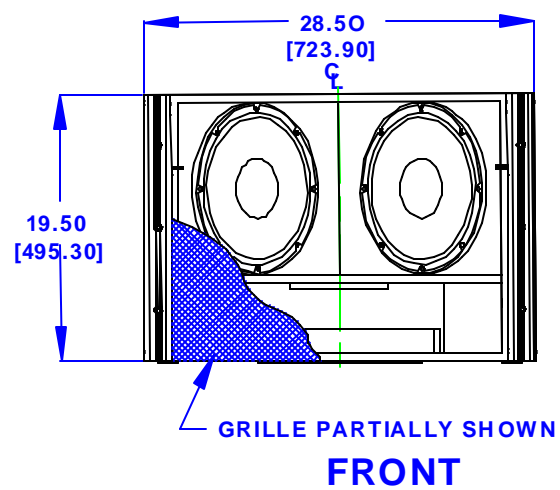
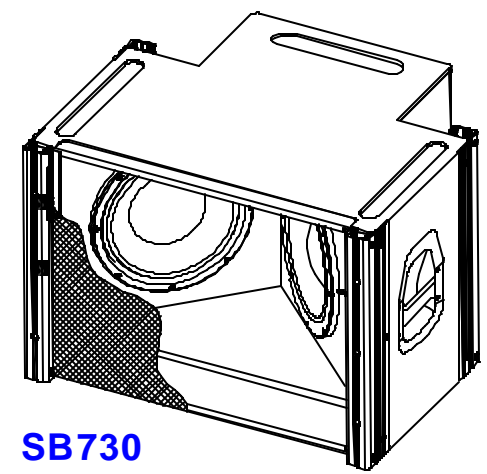


REV	DESCRIPTION	APVD/DATE
D	ADDED METRIC DIMENSIONS AND UPDATED TOLERANCE BLOCK TO CURRENT STANDARDS PER ECOWHT4000 C. AUGER 12/6/05	4/17/03



- NOTES:
1. SYMBOL INDICATES CENTER OF BALANCE.
 2. WEIGHT APPROX. 111 LBS[50.3 Kg]
 3. SHIPPING WEIGHT APPROX. 124 LBS[56.2 Kg]



DIMENSIONS APPLY TO BOTH SIDES

DOCUMENT CONTROL PER SPECIFICATION 4.5.201

THIRD ANGLE PROJECTION

THIS DRAWING IS THE PROPERTY OF EAW AND SHALL NOT BE COPIED, REPRODUCED, OR USED AS THE BASIS FOR MANUFACTURE OR SALE OF APPARATUS WITHOUT WRITTEN AUTHORIZATION. DO NOT SCALE DRAWING.

UNLESS OTHERWISE SPECIFIED:
ALL DIMENSIONS ARE INCHES [MILLIMETERS]

TOLERANCES
LINEAR ± 0.13 In/ ± 3.3 mm
ANGLES ± 1°

(X.XX) - REF DIMS
NO TOLERANCE IMPLIED

TSC=THEORETICAL SHARP CORNER
DIMENSIONS ACROSS CENTERLINES TO BE SYMMETRICAL

STATUS: PRODUCTION	
APPROVALS	DATE
DRAWN: MELANIE	2/13/03
CHECKED: RAS	4/17/03
DES ENG: NB	4/17/03
MFG ENG: DED	4/22/03

EAW EASTERN ACOUSTIC WORKS
ONE MAIN STREET
WHITINSVILLE, MA 01588 USA

TITLE: CABINET/FINISHED/BLACK/SB730
[MECHANICAL SPECIFICATIONS]

A SHEET 1 OF 1 SCALE: 1 TO 14

DRAWING NUMBER: 0006275 REVISION: D