

1

2

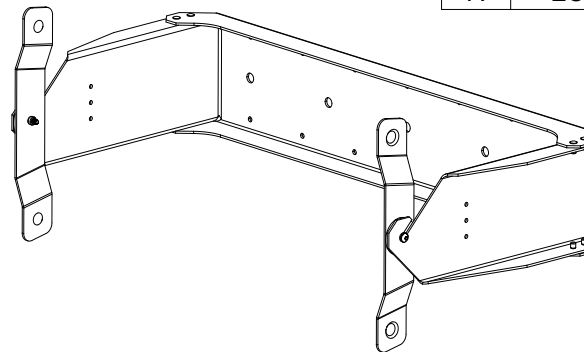
3

4

NOTES:

- 1. WEIGHT APPROX. 18.0 lb [8.2 kg]
- 2. SHIPPING WEIGHT APPROX. 25.2 lb [11.4 kg]
- 3. WEIGHT LOAD LIMIT: 60.0 lb [27.2 kg]

REV	CHANGE NUMBER	DATE
A	ECOWH11333	7/20/16



### U-BKT RSX12X

C

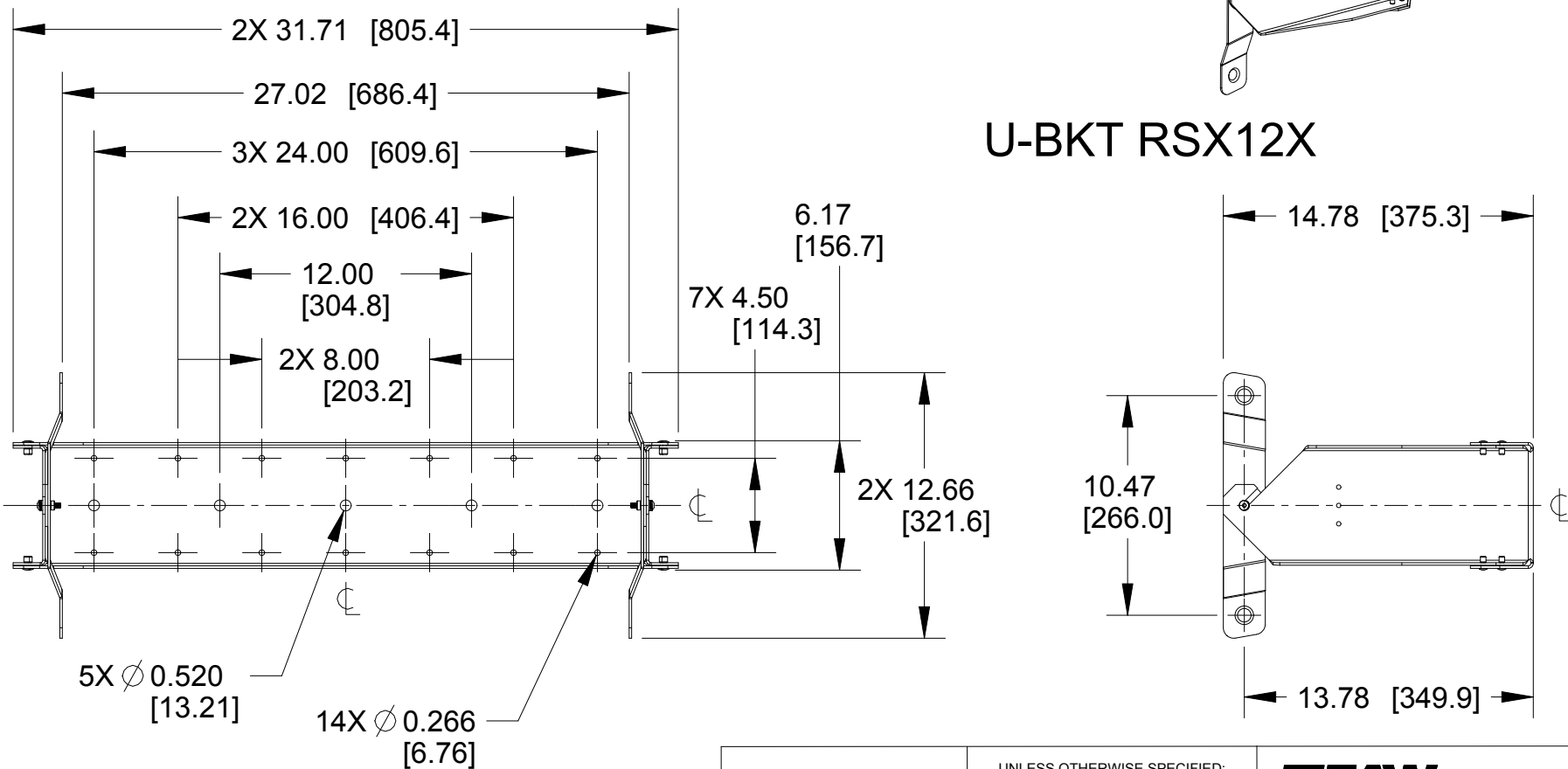
C

B

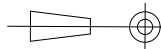
B

A

A



THIRD ANGLE PROJECTION



THE INFORMATION CONTAINED  
HEREIN IS PROPRIETARY AND  
CONFIDENTIAL PROPERTY OF  
LOUD TECHNOLOGIES, INC.  
ALL RIGHTS RESERVED

UNLESS OTHERWISE SPECIFIED:  
ALL DIMENSIONS ARE IN INCHES  
DUAL [MM] DIMENSIONS  
FOR REF ONLY

TOLERANCE IN INCHES  
LINEAR  $\pm 0.13$  in /  $\pm 3.3$  mm  
ANGLES  $\pm 1^\circ$

(X.XX) = REF DIMS  
NO TOLERANCE IMPLIED

TSC = THEORETICAL SHARP CORNER

DIMENSIONS ACROSS CENTERLINES  
TO BE SYMMETRICAL

**EAW** www.eaw.com

TITLE: **DWG CUSTOMER  
U-BRKT RSX12X  
[MECHANICAL SPECIFICATION]**

**A**

SHEET 1 OF 1

SCALE:  
0.125

DRAWING NUMBER:  
**2047697-CD**

REVISION:  
**A**

1

2

3

4

PRO ENGINEER