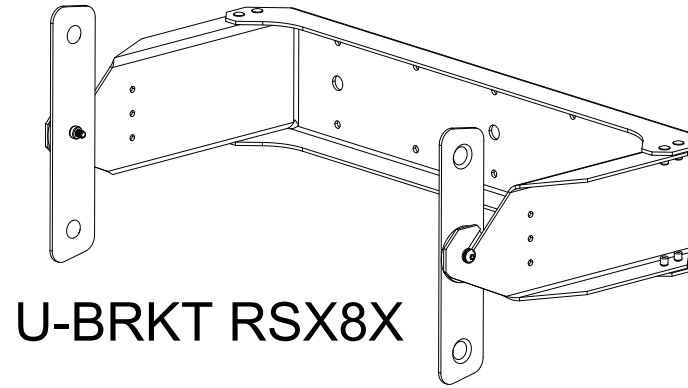


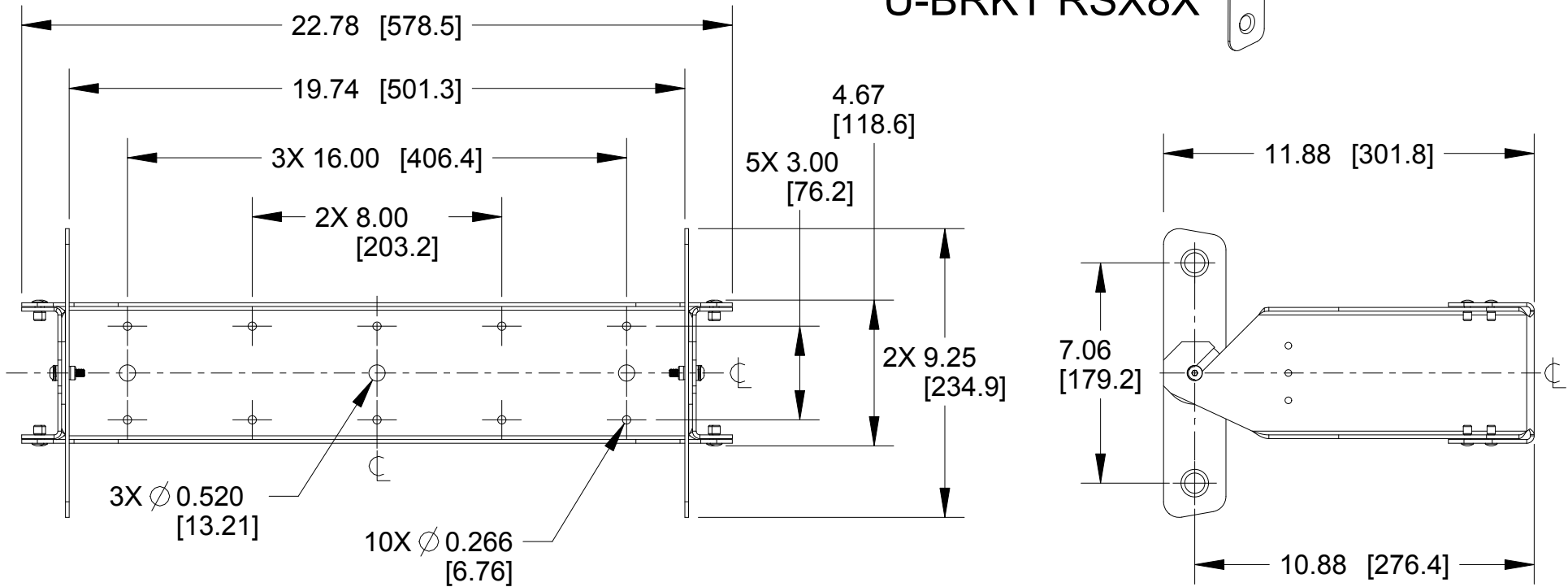
NOTES:

1. WEIGHT APPROX. 10.8 lb [5.0 kg]
2. SHIPPING WEIGHT APPROX. 14.4 lb [6.5 kg]
3. WEIGHT LOAD LIMIT: 39.0 lb [17.7 kg]

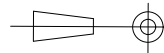
REV	CHANGE NUMBER	DATE
A	ECOWH11333	7/20/16



U-BRKT RSX8X



THIRD ANGLE PROJECTION



THE INFORMATION CONTAINED
HEREIN IS PROPRIETARY AND
CONFIDENTIAL PROPERTY OF
LOUD TECHNOLOGIES, INC.
ALL RIGHTS RESERVED

UNLESS OTHERWISE SPECIFIED:
ALL DIMENSIONS ARE IN INCHES
DUAL [MM] DIMENSIONS
FOR REF ONLY

TOLERANCE IN INCHES
LINEAR ± 0.13 in / ± 3.3 mm
ANGLES $\pm 1^\circ$

(X.XX) = REF DIMS
NO TOLERANCE IMPLIED

TSC = THEORETICAL SHARP CORNER

DIMENSIONS ACROSS CENTERLINES
TO BE SYMMETRICAL

EAW www.eaw.com

TITLE:
**DWG CUSTOMER
U-BRKT RSX8X
[MECHANICAL SPECIFICATION]**

A	SHEET 1 OF 1	SCALE: 0.200
----------	--------------	-----------------

DRAWING NUMBER: 2047698-CD	REVISION: A
--------------------------------------	-----------------------