

1

2

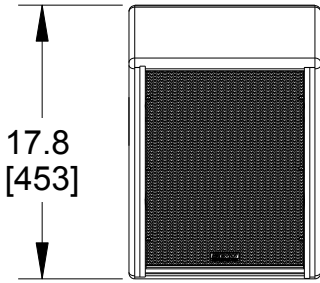
3

4

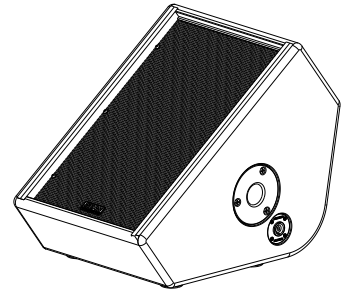
| REV | CHANGE NUMBER | DATE |
|-----|---------------|--------|
| A | ECOWHT9696 | 9/6/13 |

NOTES:

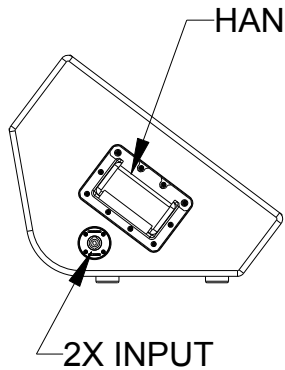
- 1. SYMBOL \bigcirc INDICATES FEET.
- 2. SYMBOL \oplus INDICATES CENTER OF BALANCE.
- 3. WEIGHT APPROX. 32 lb [14.5 kg],
- 4. SHIPPING WEIGHT APPROX. 42 lb [19.1 kg].



TOP

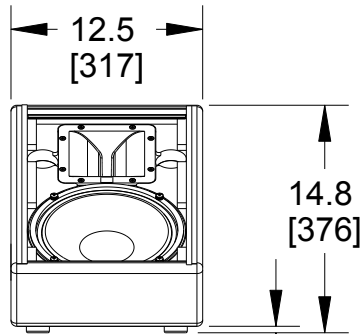


VFM109i



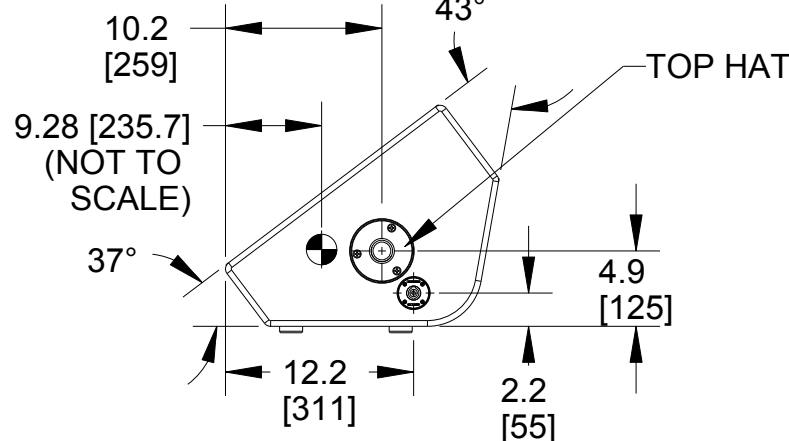
HANDLE

2X INPUT



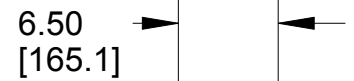
FRONT

GRILLE NOT SHOWN FOR CLARITY

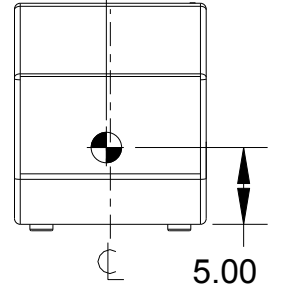


RIGHT SIDE

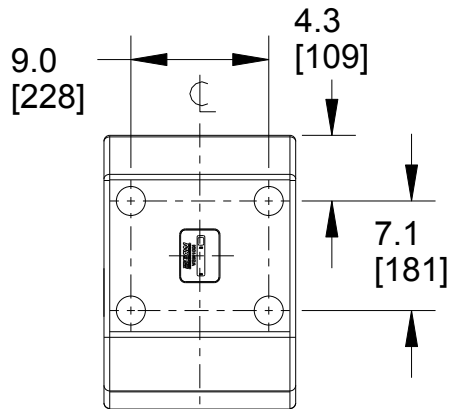
DIMENSIONS APPLY TO BOTH SIDES



TOP HAT

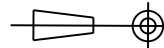


BACK



BOTTOM

THIRD ANGLE PROJECTION



THE INFORMATION CONTAINED
HEREIN IS PROPRIETARY AND
CONFIDENTIAL PROPERTY OF
LOUD TECHNOLOGIES, INC.
ALL RIGHTS RESERVED

UNLESS OTHERWISE SPECIFIED:
ALL DIMENSIONS ARE IN INCHES
DUAL [MM] DIMENSIONS
FOR REF ONLY

TOLERANCE IN INCHES
LINEAR ± 0.13 in / ± 3.3 mm
ANGLES $\pm 1^\circ$

(X.XX) = REF DIMS
NO TOLERANCE IMPLIED

TSC = THEORETICAL SHARP CORNER
DIMENSIONS ACROSS CENTERLINES
TO BE SYMMETRICAL

EAW www.eaw.com

TITLE:
DWG CUSTOMER VFM109i
[MECHANICAL SPECIFICATION]

| | | |
|----------|-------------------------------|-----------------|
| A | SHEET 1 OF 1 | SCALE: 0.080 |
| | DRAWING NUMBER: 2042413-CD | |

| |
|----------------|
| REVISION: A |
|----------------|

1

2

3

4

PRO ENGINEER