

1

2

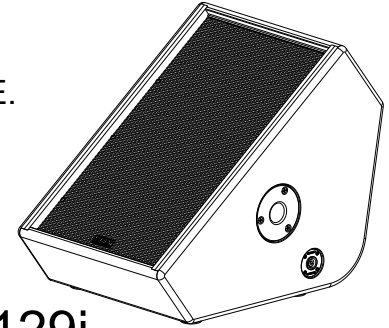
3

4

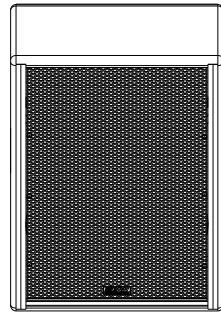
REV	CHANGE NUMBER	DATE
A	ECOWHT9558	7/31/13

NOTES:

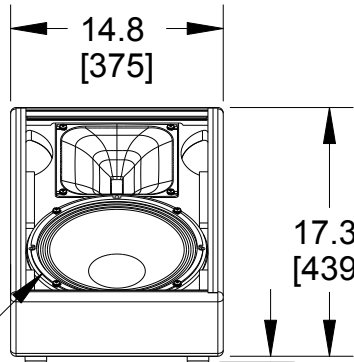
- 1. SYMBOL ○ INDICATES FEET.
- 2. SYMBOL ⊕ INDICATES CENTER OF BALANCE.
- 3. WEIGHT APPROX. 40 lb [18.1 kg]
- 4. SHIPPING WEIGHT APPROX. 52 lb [23.6 kg]



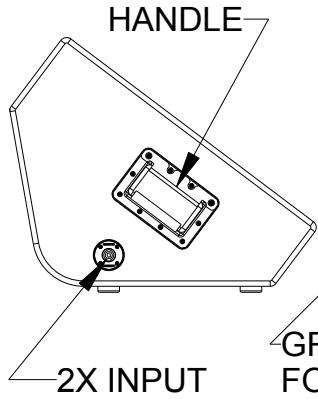
VFM129i



TOP



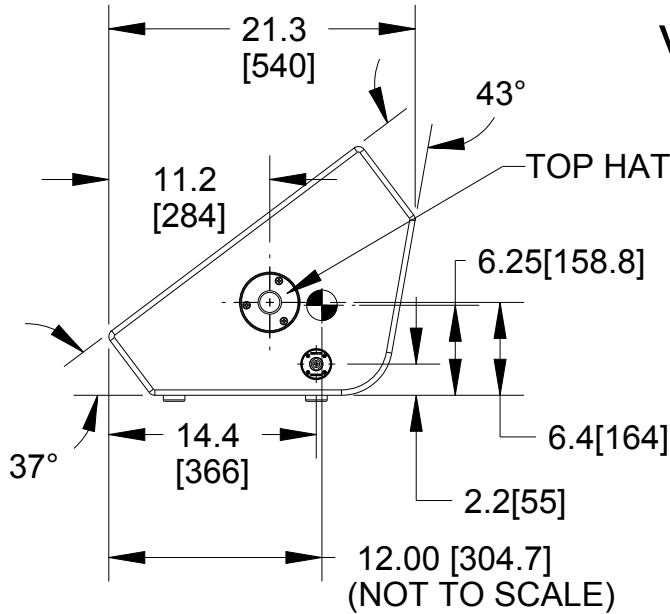
FRONT



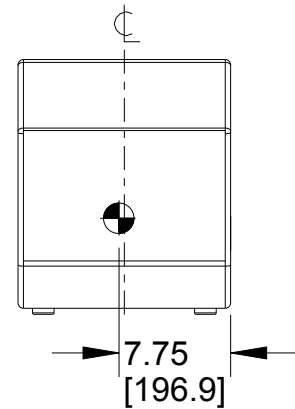
HANDLE

2X INPUT

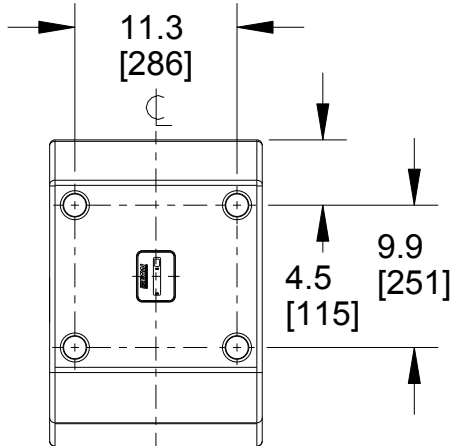
GRILLE NOT SHOWN FOR CLARITY



RIGHT SIDE DIMENSIONS APPLY TO BOTH SIDES

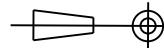


BACK



BOTTOM

THIRD ANGLE PROJECTION



THE INFORMATION CONTAINED HEREIN IS PROPRIETARY AND CONFIDENTIAL PROPERTY OF LOUD TECHNOLOGIES, INC. ALL RIGHTS RESERVED

UNLESS OTHERWISE SPECIFIED: ALL DIMENSIONS ARE IN INCHES DUAL [MM] DIMENSIONS FOR REF ONLY

TOLERANCE IN INCHES LINEAR ± 0.13 in / ± 3.3 mm ANGLES ± 1°

(X.XX) = REF DIMS NO TOLERANCE IMPLIED

TSC = THEORETICAL SHARP CORNER

DIMENSIONS ACROSS CENTERLINES TO BE SYMMETRICAL

EAW www.eaw.com

TITLE: DWG CUSTOMER VFM129i [MECHANICAL SPECIFICATION]

A SHEET 1 OF 1 SCALE: 0.075

DRAWING NUMBER: 2042006-CD REVISION: A

1

2

3

4

PRO ENGINEER