

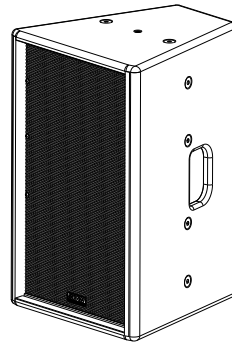
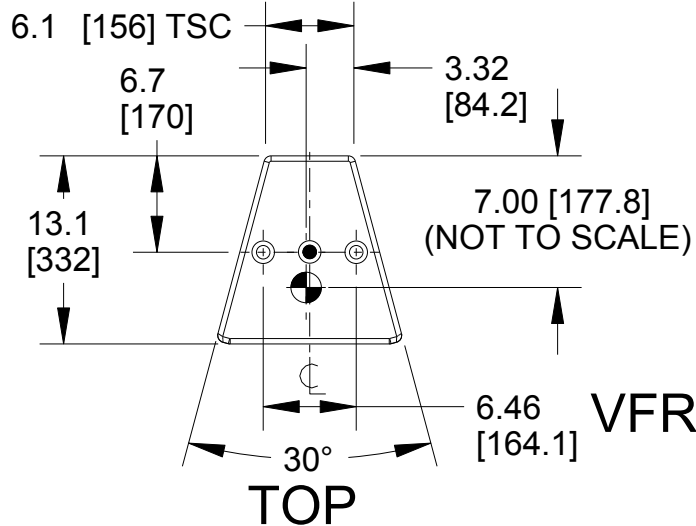
1

2

3

4

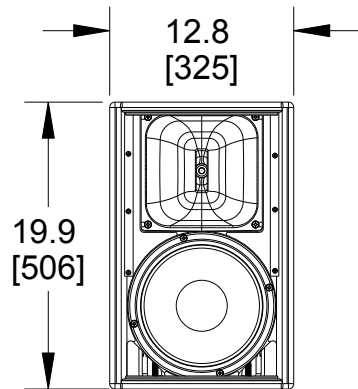
REV	CHANGE NUMBER	DATE
A	ECOWHT9249	2/14/13



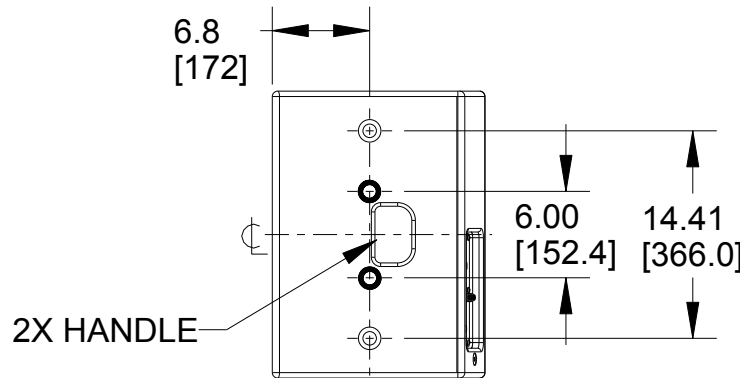
VFR109i

NOTES:

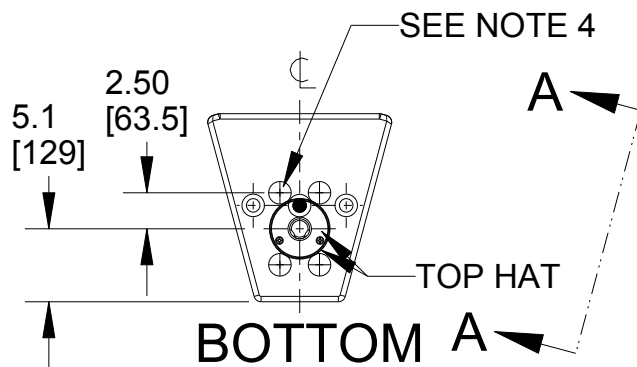
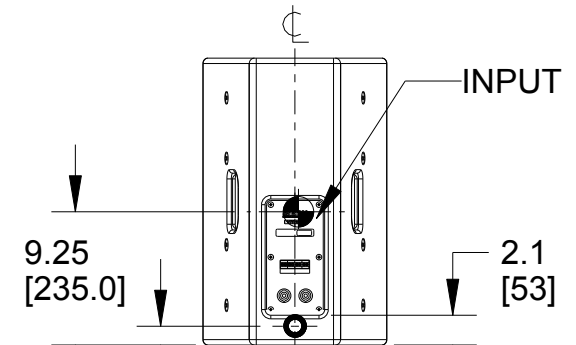
1. SYMBOL INDICATES CENTER OF BALANCE.
2. SYMBOL INDICATES MOUNTING POINT, M10 THREADED HOLE (PI ANGLE).
3. SYMBOL INDICATES MOUNTING POINT, M10 THREADED HOLE (RIVET T-NUT).
4. SYMBOL INDICATES 2.75 [69.9] x 5.00 [127.0] x M8 MOUNTING PATTERN FOR CUSTOMER SUPPLIED MOUNTING SOLUTION
5. SYMBOL INDICATES MOUNTING POINT, M6 THREADED HOLE.
6. WEIGHT APPROX. 37 lb [16.8 kg]
7. SHIPPING WEIGHT APPROX. 48 lb [21.8 kg]



GRILLE NOT SHOWN FOR CLARITY



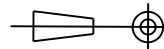
DIMENSIONS APPLY TO BOTH SIDES



SEE NOTE 4

TOP HAT

THIRD ANGLE PROJECTION



THE INFORMATION CONTAINED HEREIN IS PROPRIETARY AND CONFIDENTIAL PROPERTY OF LOUD TECHNOLOGIES, INC. ALL RIGHTS RESERVED

UNLESS OTHERWISE SPECIFIED: ALL DIMENSIONS ARE IN INCHES DUAL [MM] DIMENSIONS FOR REF ONLY

TOLERANCE IN INCHES
 LINEAR ± 0.13 in / ± 3.3 mm
 ANGLES ± 1°

(X.XX) = REF DIMS
 NO TOLERANCE IMPLIED

TSC = THEORETICAL SHARP CORNER
 DIMENSIONS ACROSS CENTERLINES TO BE SYMMETRICAL

EAW www.eaw.com

TITLE:
DWG CUSTOMER VFR109i
[MECHANICAL SPECIFICATION]

A

SHEET 1 OF 1

SCALE:
0.075

DRAWING NUMBER:

2041200-CD

REVISION:

A

1

2

3

4

PRO ENGINEER