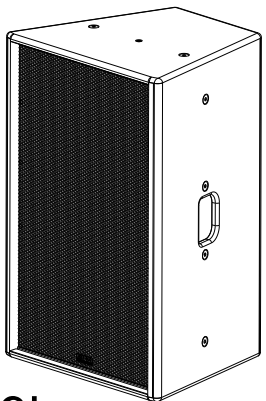
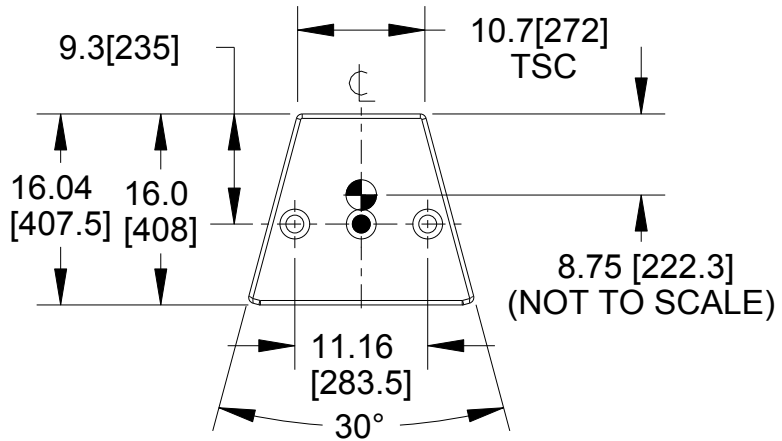


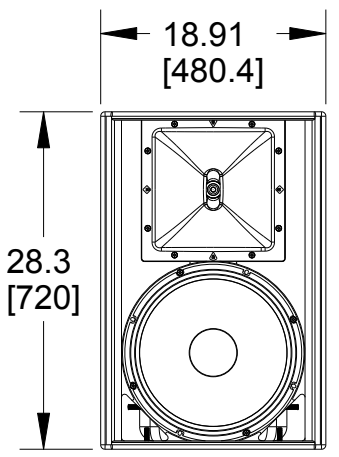
REV	CHANGE NUMBER	DATE
B	ECOWHT9468	5/21/13



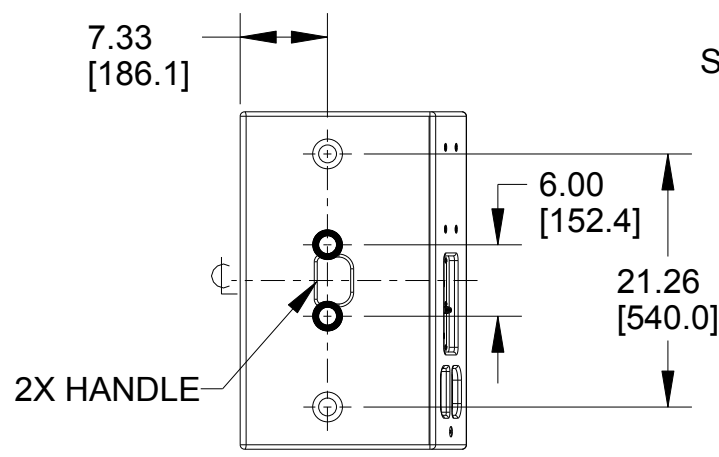
- NOTES:**
1. SYMBOL INDICATES CENTER OF BALANCE.
 2. SYMBOL INDICATES MOUNTING POINT, M10 THREADED HOLE (PI ANGLE).
 3. SYMBOL INDICATES MOUNTING POINT, M10 THREADED HOLE (RIVET T-NUT).
 4. SYMBOL INDICATES 3.4 [87] x 6.9 [175] x M8 MOUNTING PATTERN FOR CUSTOMER SUPPLIED MOUNTING SOLUTION.
 5. SYMBOL INDICATES MOUNTING POINT, M6 THREADED HOLE.
 6. WEIGHT APPROX. 58 lb [26.3 kg].
 7. SHIPPING WEIGHT APPROX. 73 lb [33.1 kg].

TOP

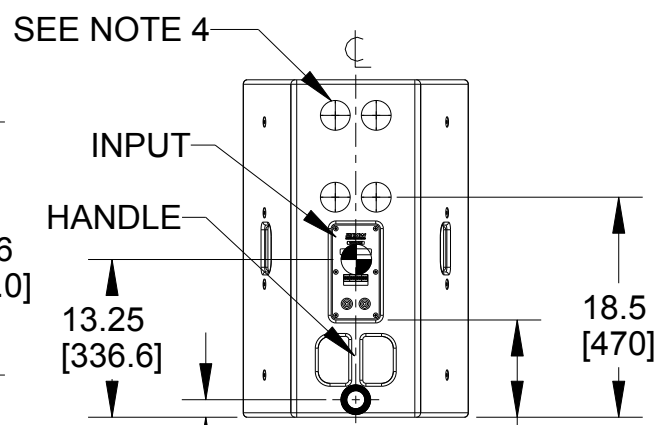
VFR159i



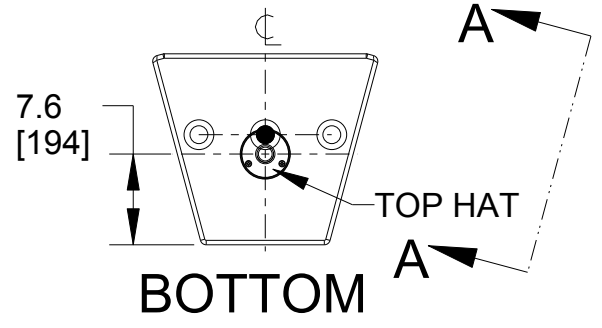
FRONT
GRILLE NOT SHOWN FOR CLARITY



VIEW A-A
DIMENSIONS APPLY TO BOTH SIDES



BACK



BOTTOM

THIRD ANGLE PROJECTION

THE INFORMATION CONTAINED HEREIN IS PROPRIETARY AND CONFIDENTIAL PROPERTY OF LOUD TECHNOLOGIES, INC. ALL RIGHTS RESERVED

UNLESS OTHERWISE SPECIFIED:
ALL DIMENSIONS ARE IN INCHES
DUAL [MM] DIMENSIONS FOR REF ONLY

TOLERANCE IN INCHES
LINEAR ± 0.13 in / ± 3.3 mm
ANGLES ± 1°

(X.XX) = REF DIMS
NO TOLERANCE IMPLIED

TSC = THEORETICAL SHARP CORNER

DIMENSIONS ACROSS CENTERLINES TO BE SYMMETRICAL

EAW www.eaw.com

TITLE:
DWG CUSTOMER VFR159i
[MECHANICAL SPECIFICATION]

A	SHEET 1 OF 1	SCALE: 0.062
DRAWING NUMBER: 2041095-CD		REVISION: B