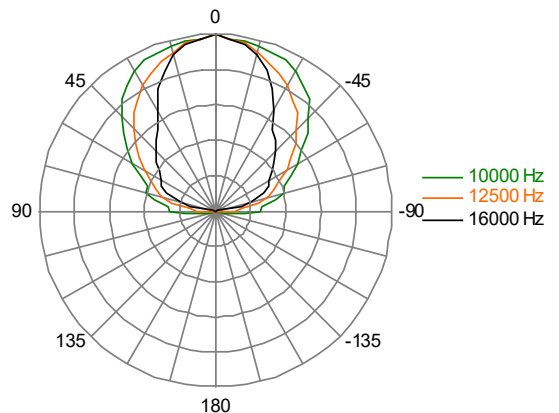
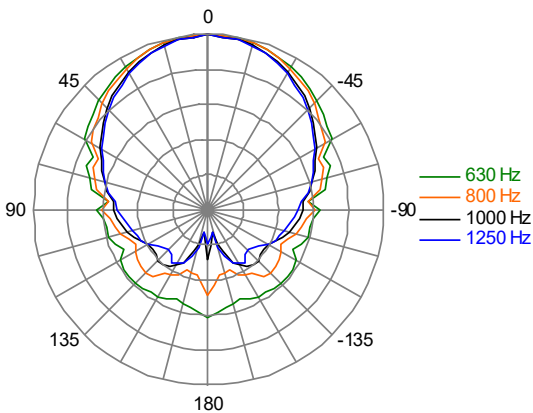
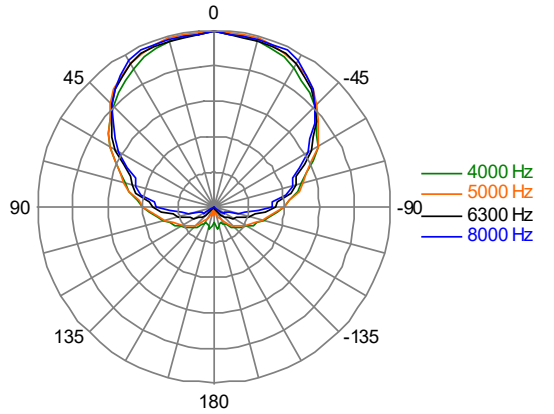
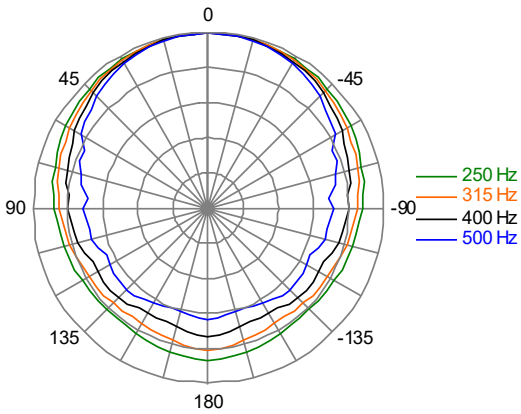
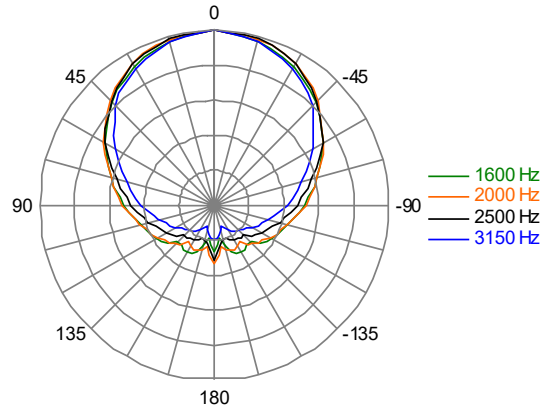
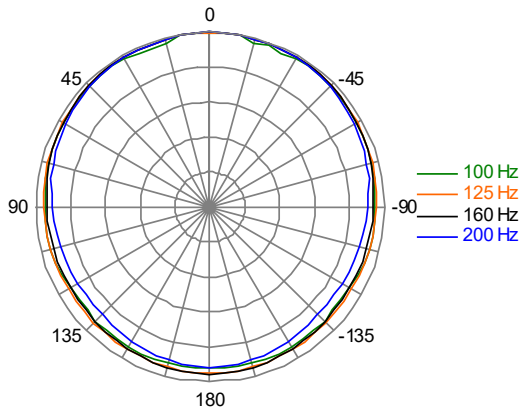
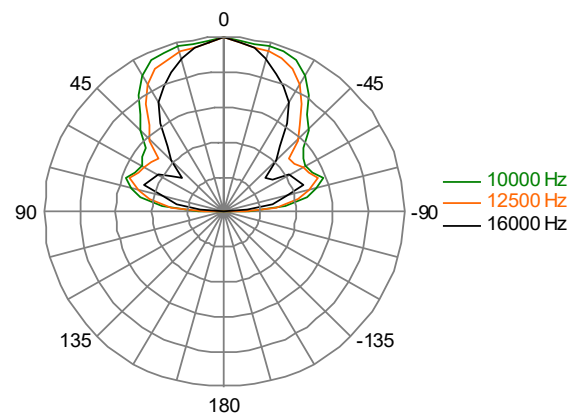
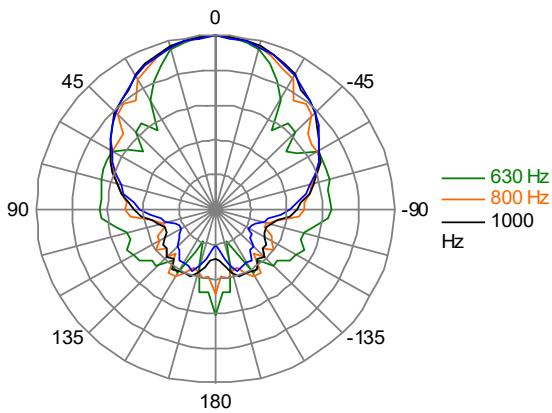
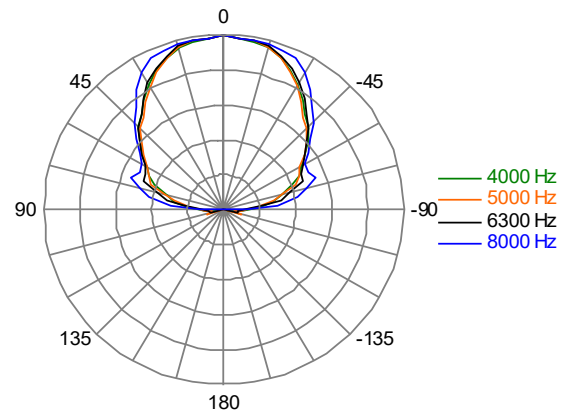
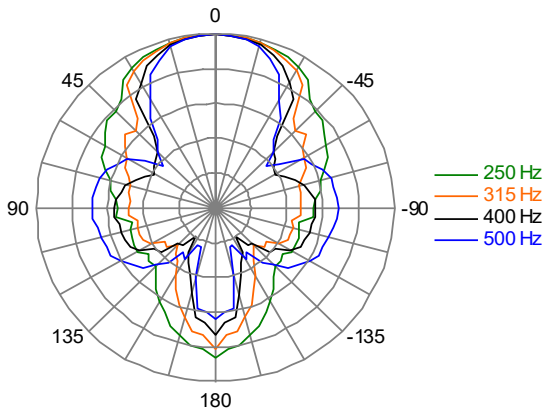
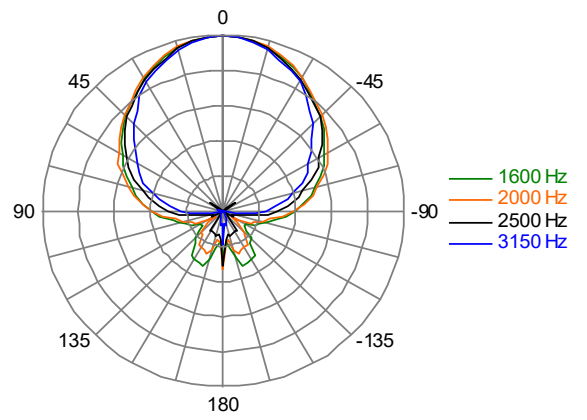
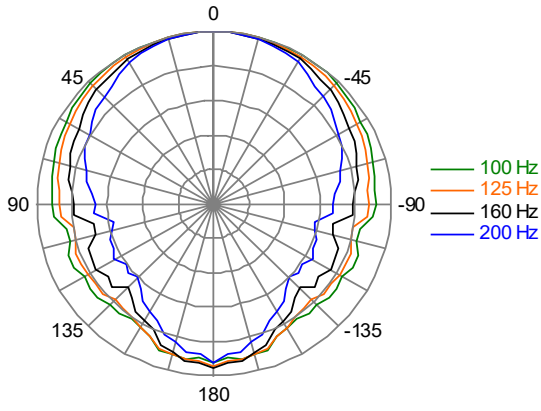


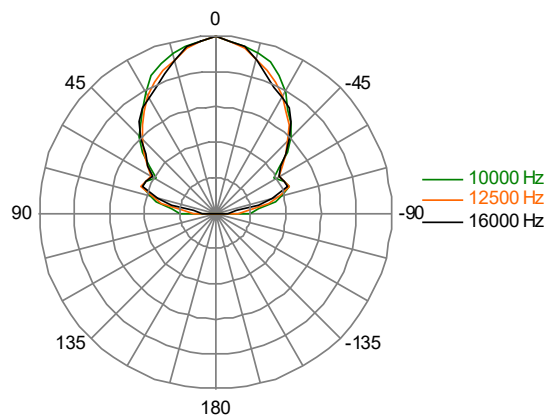
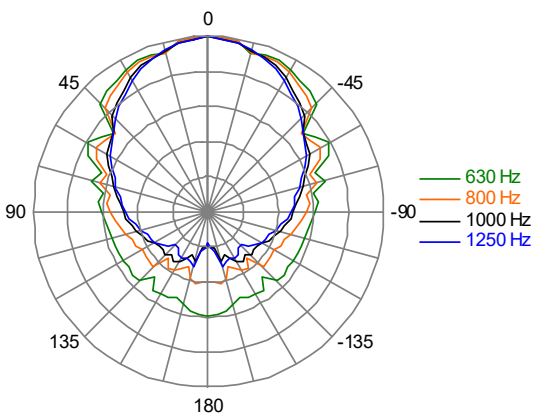
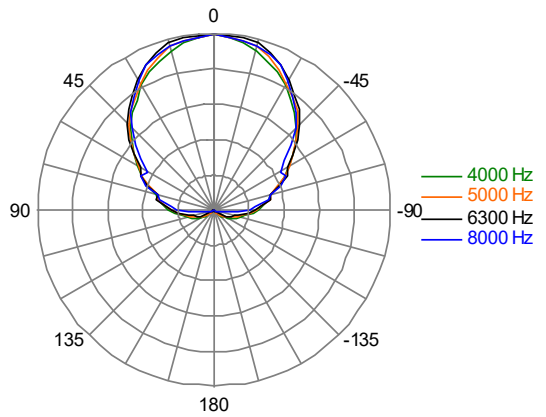
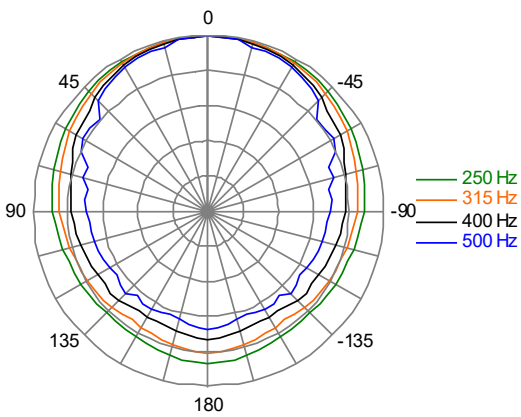
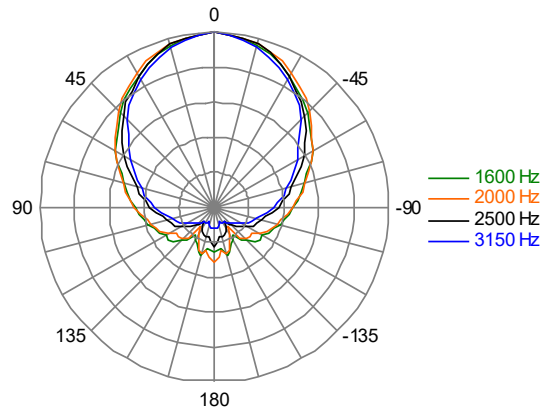
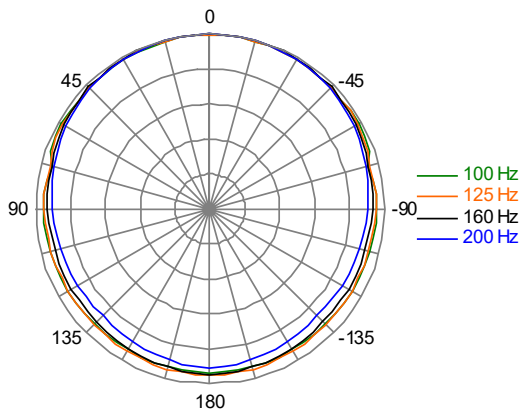
MKD1096 HORIZONTAL POLAR DATA



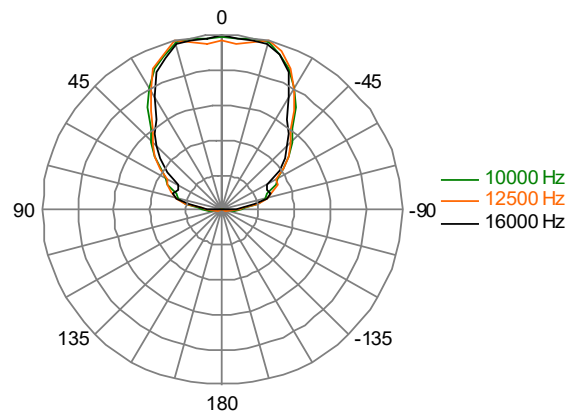
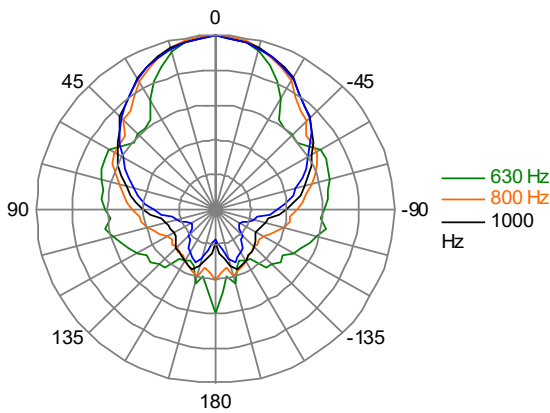
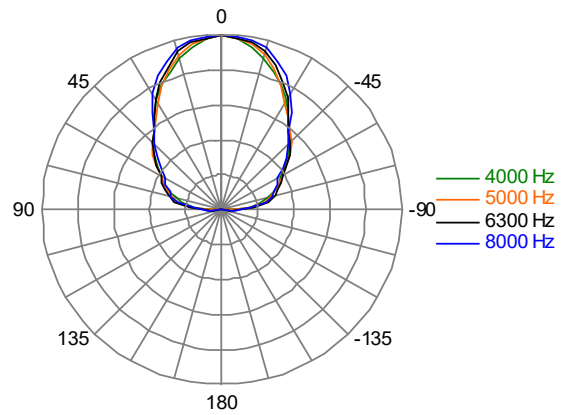
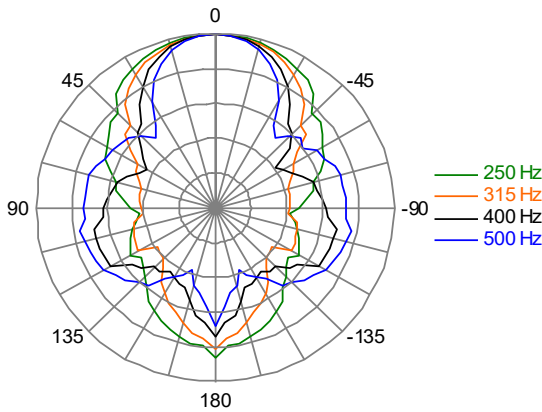
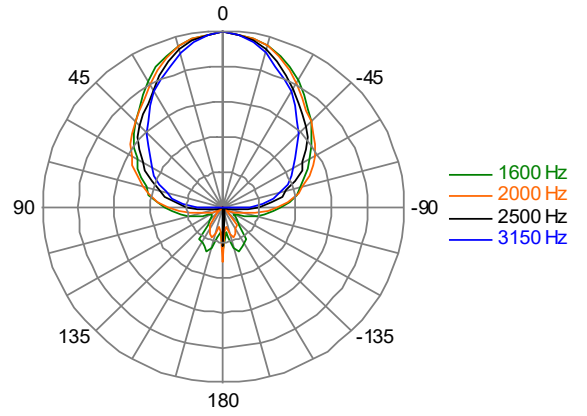
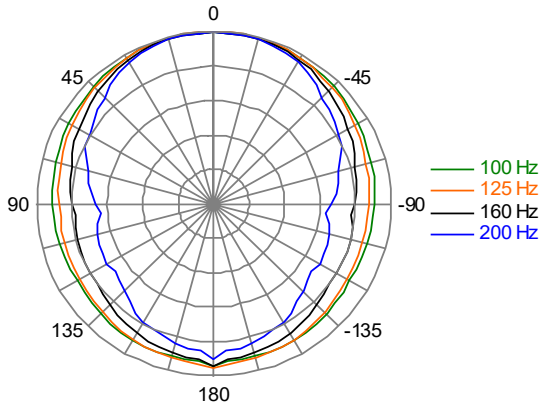
MKD1096 VERTICAL POLAR DATA



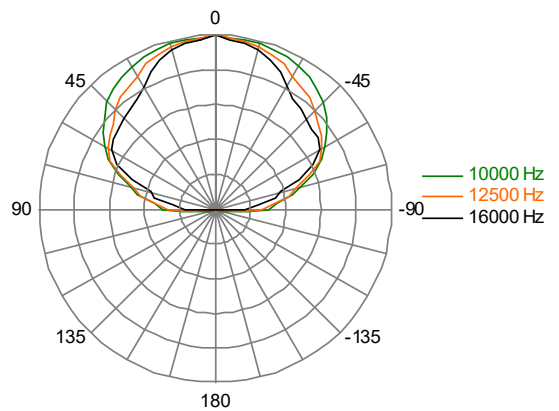
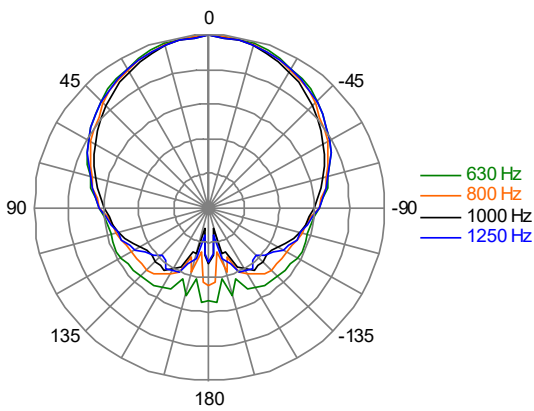
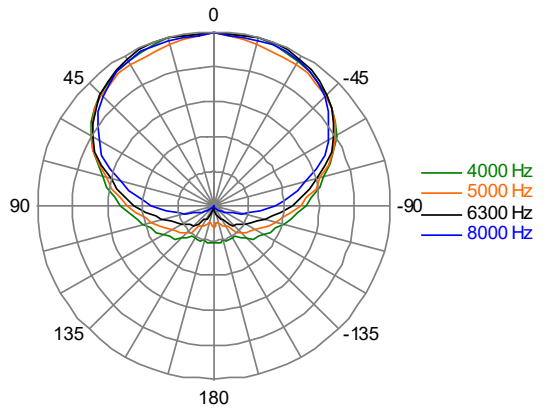
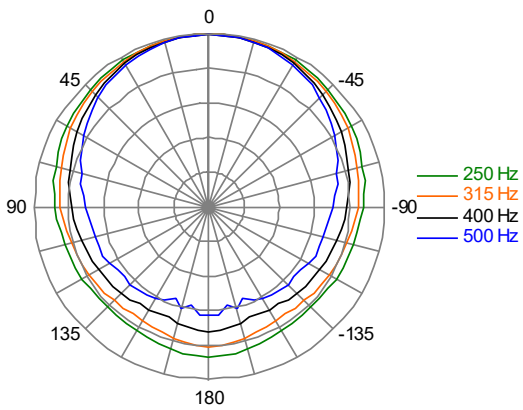
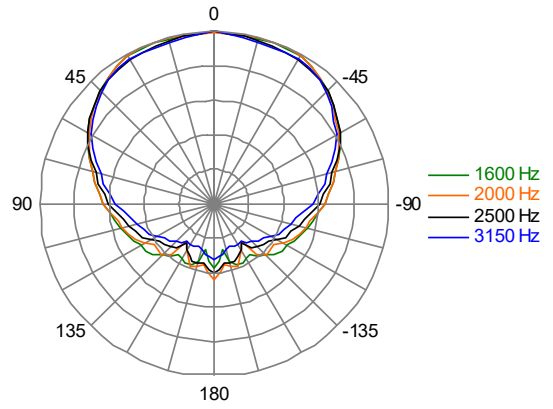
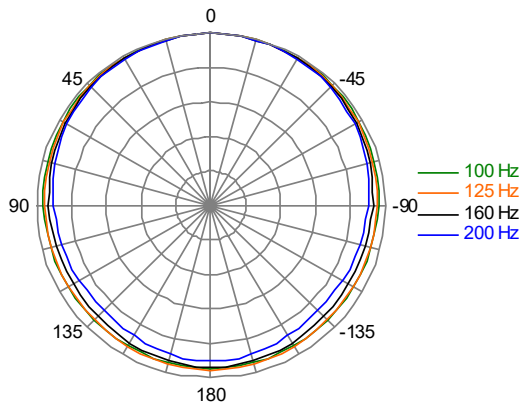
MKD1064 HORIZONTAL POLAR DATA



MKD1064 VERTICAL POLAR DATA

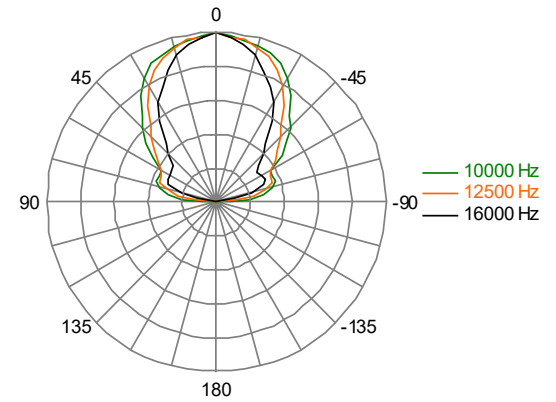
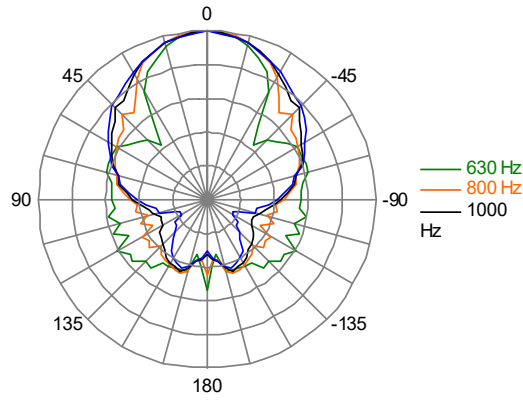
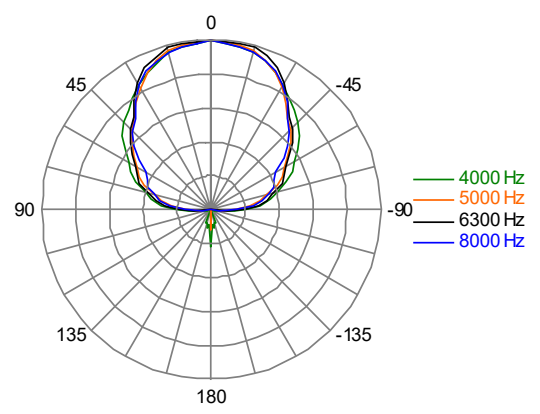
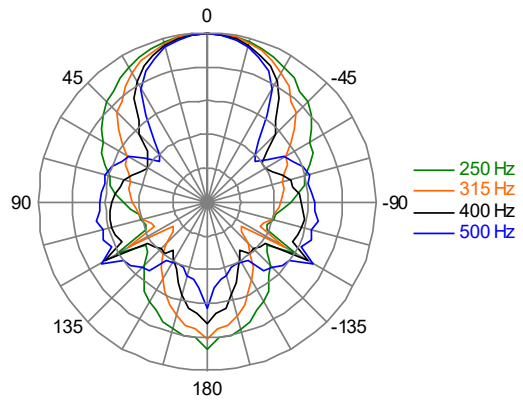
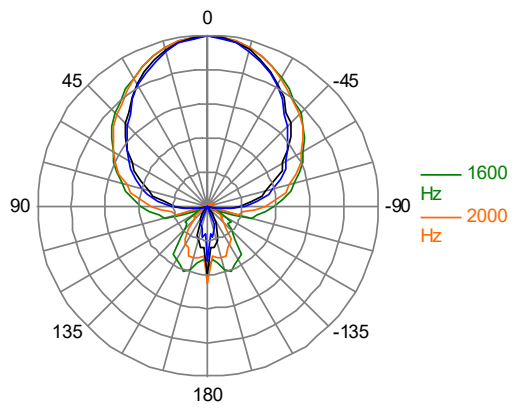
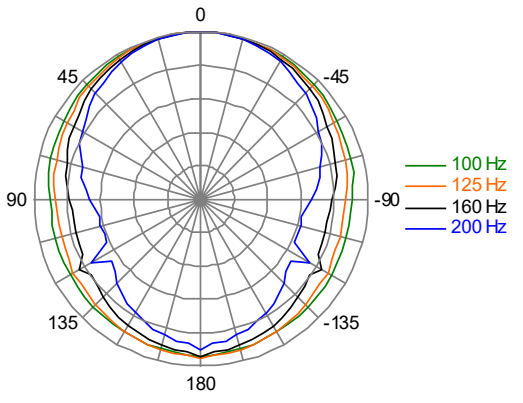


MKD1026 HORIZONTAL POLAR DATA



MKD1026 VERTICAL POLAR DATA

Polar Data: Horizontal and vertical polar responses for each 1/3 octave frequency band 100 Hz to 16 kHz or Operating Range.



Polar Data: Horizontal and vertical polar responses for each 1/3 octave frequency band 100 Hz to 16 kHz or Operating Range.