

1

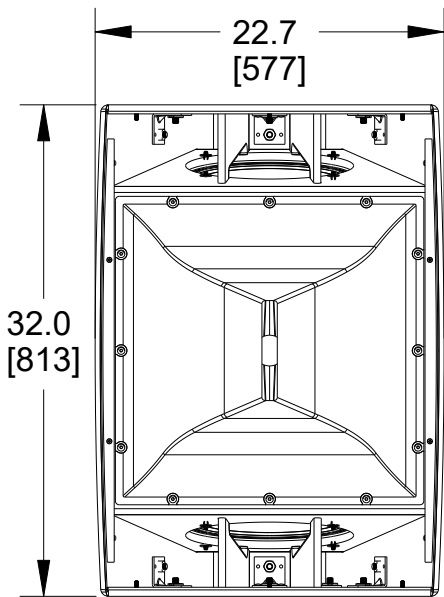
2

3

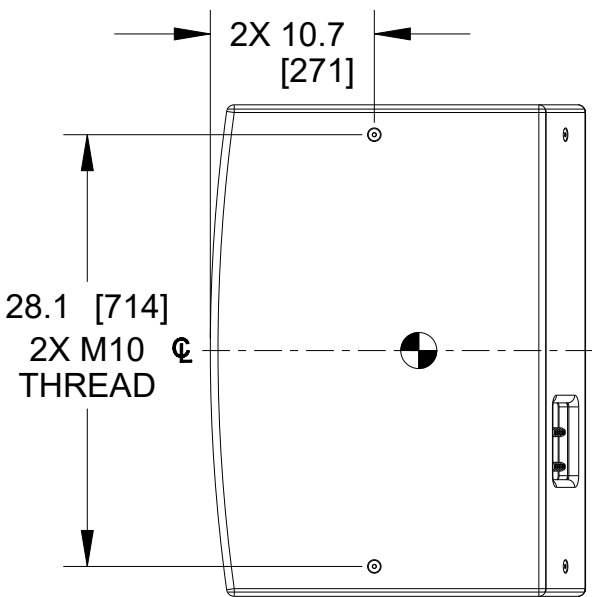
4

REV	CHANGE NUMBER	DATE
A	ECOEAW0687	10/28/2020

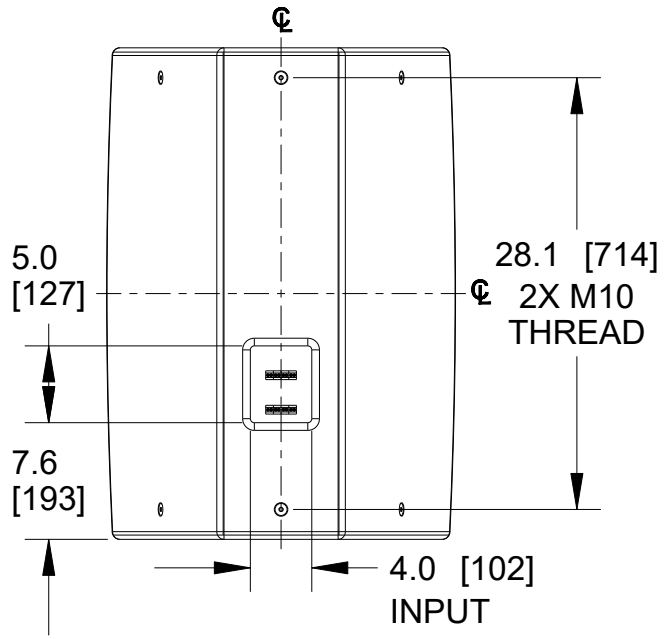
C



GRILLE NOT SHOWN  
FOR CLARITY



**VIEW A-A**  
DIMENSIONS APPLY  
TO BOTH SIDES

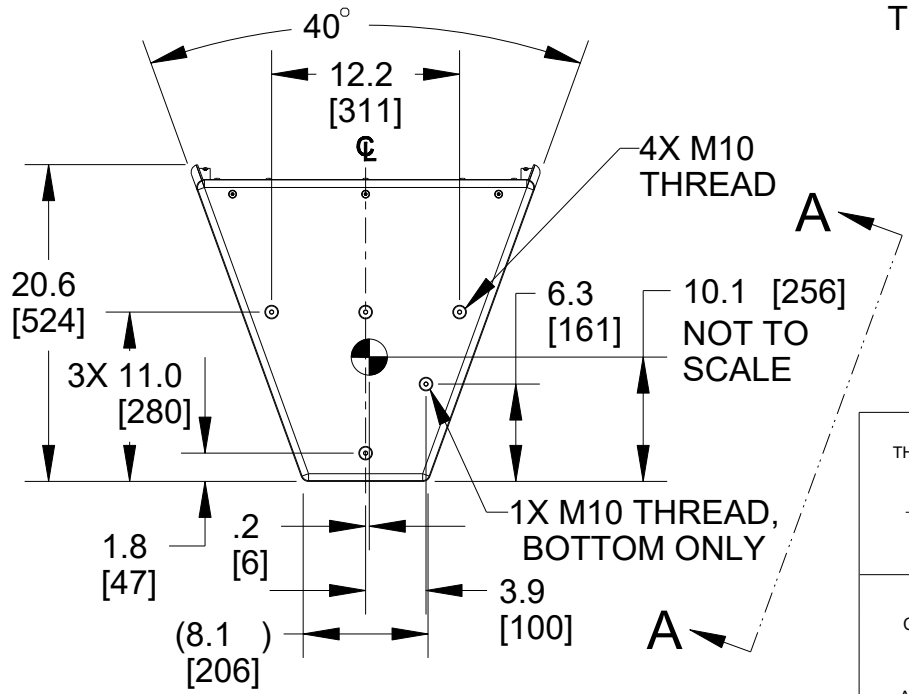


B

B

A

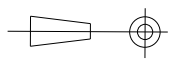
A



**NOTES:**

1. DRAWING APPLIES TO MKD1294 AND MKD1264.
2. SYMBOL INDICATES CENTER OF GRAVITY.
3. WEIGHT APPROXIMATELY 104 lb [47 kg]
4. SHIPPING WEIGHT APPROXIMATELY 125 lb [57 kg]

THIRD ANGLE PROJECTION



THE INFORMATION  
CONTAINED HEREIN IS  
PROPRIETARY AND  
CONFIDENTIAL  
PROPERTY OF EAW  
ALL RIGHTS RESERVED

UNLESS OTHERWISE SPECIFIED:  
ALL DIMENSIONS ARE IN INCHES  
DUAL [MM] DIMENSIONS  
FOR REF ONLY

TOLERANCE IN INCHES  
LINEAR  $\pm 0.13$  in /  $\pm 3.3$  mm  
ANGLES  $\pm 1^\circ$

(X.XX) = REF DIMS  
NO TOLERANCE IMPLIED

TSC = THEORETICAL SHARP CORNER

DIMENSIONS ACROSS CENTERLINES  
TO BE SYMMETRICAL

**EAW** www.eaw.com

TITLE:  
**DWG CUSTOMER  
MKD1200 SERIES**

<b>A</b>	SHEET 1 OF 1	SCALE: 0.080
----------	--------------	-----------------

DRAWING NUMBER: <b>2071085-CD</b>	REVISION: <b>A</b>
--------------------------------------	-----------------------

1

2

3

4

PTC CREO