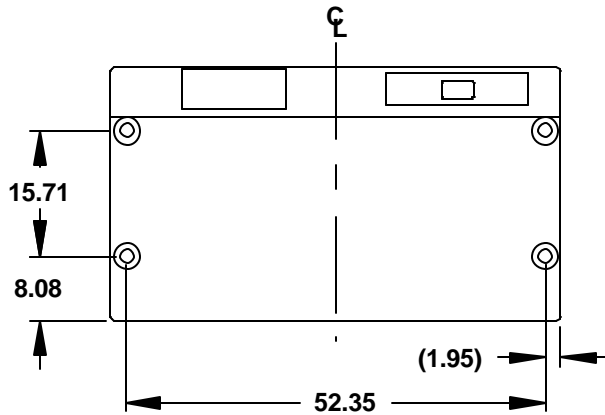


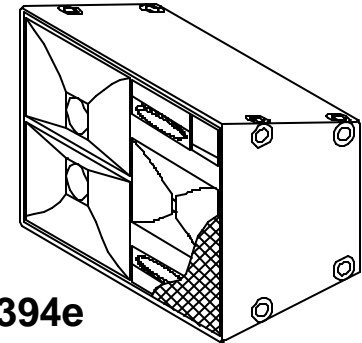
REV	DESCRIPTION	APVD/DATE
A	RELEASED TO PRODUCTION FROM REV 1 PER DSR #02-1000 DM 9/3/02	RS 9/11/02



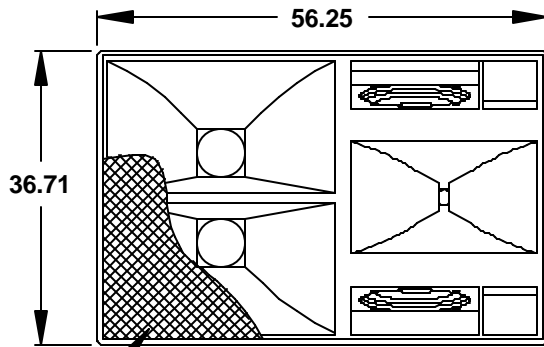
VIEW A-A
DIMENSIONS APPLY TO
TOP & BOTTOM

NOTES:

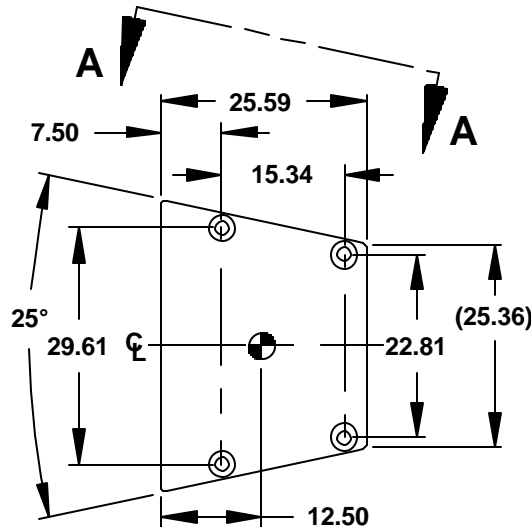
1. SYMBOL \odot INDICATES MOUNTING POINT, 3/8-16 THREADED HOLE (PI ANGLE).
2. SYMBOL \bullet INDICATES CENTER OF BALANCE.
3. WEIGHT APPROX. 300 LBS.
4. SHIPPING WEIGHT APPROX. 330 LBS.



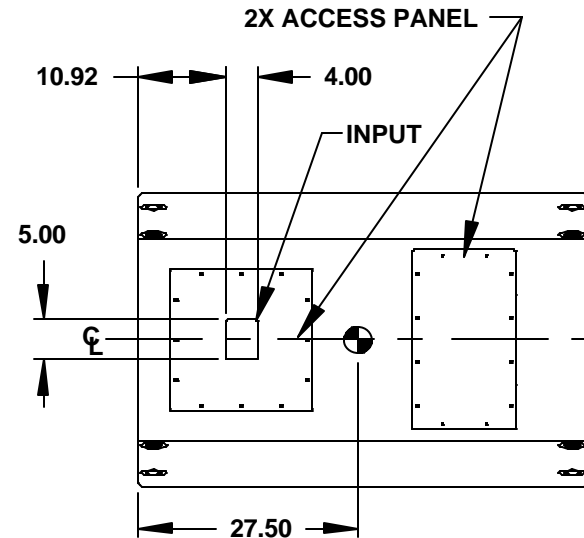
MQV2394e



FRONT



SIDES
DIMENSIONS APPLY
TO BOTH SIDES



BACK

DOCUMENT CONTROL PER SPECIFICATION 4.5.201

<p>THIRD ANGLE PROJECTION</p>	<p>UNLESS OTHERWISE SPECIFIED: ALL DIMENSIONS ARE IN INCHES</p> <p>TOLERANCE IN INCHES .XX ± .13 ANGLES ± 1°</p> <p>(X.XX) = REF DIMS NO TOLERANCE IMPLIED</p> <p>T.S.C.=THEORETICAL SHARP CORNER DIMENSIONS ACROSS CENTERLINES TO BE SYMMETRICAL</p>	<p>STATUS: PRODUCTION</p>		<p>EAW EASTERN ACOUSTICWORKS ONE MAIN STREET WHITINSVILLE, MA 01566 USA</p>
		<p>APPROVALS</p> <p>DRAWN: DM 3/14/02</p> <p>CHECKED: RS 9/11/02</p> <p>DES ENG: PAD 9/11/02</p> <p>MFG ENG: DBD 9/13/02</p>	<p>DATE</p>	
<p>THIS DRAWING IS THE PROPERTY OF EAW AND SHALL NOT BE COPIED, REPRODUCED, OR USED AS THE BASIS FOR MANUFACTURE OR SALE OF APPARATUS WITHOUT WRITTEN AUTHORIZATION. DO NOT SCALE DRAWING.</p>		<p>A</p>	<p>SHEET 1 OF 1</p>	<p>SCALE: 1 TO 24</p>
		<p>DRAWING NUMBER: 0002331</p>	<p>REVISION: A</p>	<p>VELLUM</p>